

# TROVE™

***Access & Power Integration***



## ***Trove2HN2***

*- Trove2 enclosure with Altronix/Honeywell NetAXS backplane (THN2)*

## ***THN2***

*- Altronix/Honeywell NetAXS backplane only*

# ***Installation Guide***



**More than just power.™**

All registered trademarks are property of their respective owners.

Rev. THN052518

Installing Company: \_\_\_\_\_ Service Rep. Name: \_\_\_\_\_

Address: \_\_\_\_\_ Phone #: \_\_\_\_\_

## Overview:

Trove2HN2 accommodates various combinations of Honeywell NetAXS boards with or without Altronix power supplies and accessories for access systems.

## Specifications:

### Trove2HN2

- Trove2 enclosure with THN2 Altronix/Honeywell backplane.
- Includes: tamper switch, cam lock, mounting hardware.
- 16 Gauge enclosure with ample knockouts for convenient access.  
**Enclosure Dimensions (H x W x D):** 27.25" x 21.75" x 6.5" (692.2mm x 552.5mm x 165.1mm).  
Accommodates up to four (4) 12VDC/7AH batteries.

### THN2

- THN2 Altronix/Honeywell backplane.
- 16 Gauge backplane.
- Includes mounting hardware.  
**Dimensions (H x W x D):** 25.375" x 19.375" x 0.3125" (644.6mm x 492.1mm x 7.9mm).

### THN2 accommodates a combination of the following:

#### Altronix:

- Up to four (4) AL400ULXB2, AL600ULXB, AL1012ULXB, AL1024ULXB2, eFlow4NB, eFlow6NB, eFlow102NB, or eFlow104NB.
- Up to four (4) ACM8(CB) or ACM8S(CB).
- Up to three (2) ACM4(CB), MOM5, PD4UL(CB), PD8UL(CB), PDS8(CB), or VR6.

#### Honeywell:

- Up to four (4) NX4PCB access control panels.
- Up to eight (8) NetAXS-123 access control panels.
- Up to eight (8) NXD1 or NXD2 add-on boards.
- Up to four (4) NX4IN or NX4OUT boards.

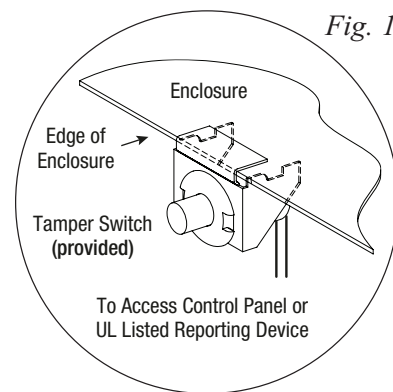
## Agency Listings:

- UL 294 - 6th edition: Line Security I, Destructive Attack I, Endurance IV, Stand-by Power II\*.  
\*Stand-by Power Level I if no battery is supplied.
- This Class B digital apparatus complies with Canadian ICES-003.  
Cet appareil numérique de la classe B est conforme à la norme NMB-003 du Canada.
- CE European Conformity.

## Installation Instructions:

Wiring methods shall be in accordance with the National Electrical Code/NFPA 70/ANSI, and with all local codes and authorities having jurisdiction. Product is intended for indoor use only.

1. Remove backplane from enclosure. Do not discard hardware.
2. Mark and predrill holes in the wall to line up with the top three keyholes in the enclosure. Install three upper fasteners and screws in the wall with the screw heads protruding. Place the enclosure's upper keyholes over the three upper screws; level and secure. Mark the position of the lower three holes. Remove the enclosure. Drill the lower holes and install the three fasteners. Place the enclosure's upper keyholes over the three upper screws. Install the three lower screws and make sure to tighten all screws.
3. Mount included UL Listed tamper switch (Altronix Model TS112 or equivalent) in desired location, opposite hinge. Slide the tamper switch bracket onto the edge of the enclosure approximately 2" from the right side (*Fig. 1, pg. 2*). Connect tamper switch wiring to the Access Control Panel input or the appropriate UL Listed reporting device. To activate alarm signal open the door of the enclosure.
4. Mount Altronix/Honeywell boards to backplane, *refer to pages 3-6*.



## Installation Instructions for Altronix Power Supplies and Sub-Assemblies to THN2:

1. Fasten spacers (provided) into pem configuration (A) or (B) of backplane (Fig. 2, pg. 3).
2. Mount boards to spacers utilizing 5/16" pan head screws (provided) (Fig. 2a, pg. 3).
3. Mount backplane to enclosure with hardware.

### Access Controller Position Chart for the Following Models:

Altronix Board	Pem Mounting
Altronix Power Supply/Charger or Sub-Assembly	(A)
Altronix Sub-Assembly	(B)

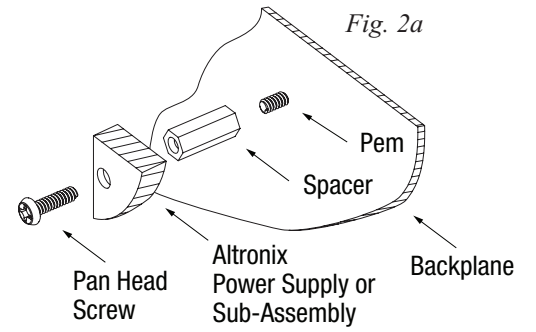
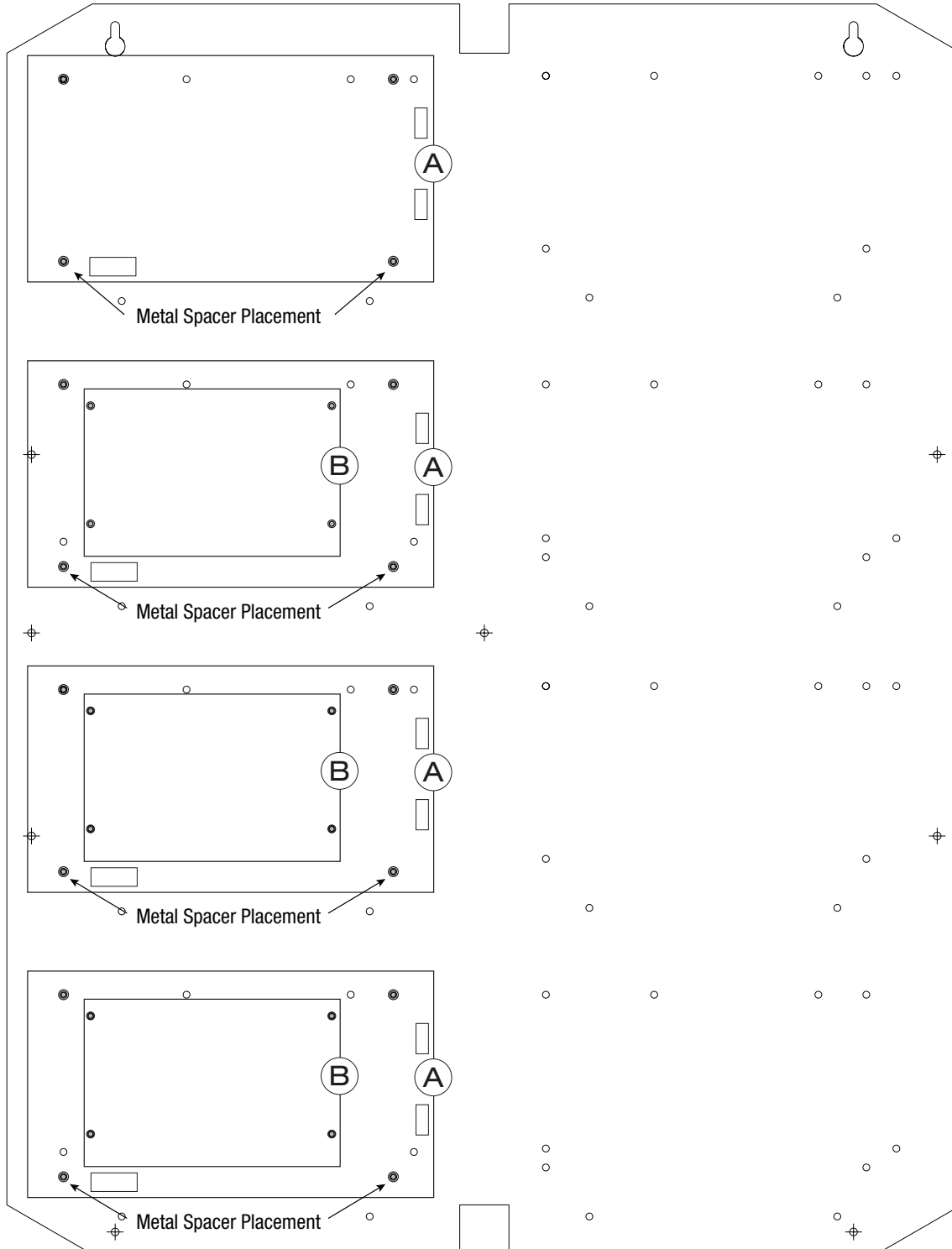


Fig. 2



**Installation Instructions for Honeywell NX4PCB to THN2:**

1. Fasten spacers (provided) to appropriate pems on backplane (Fig. 3, pg. 4).
2. Mount boards to spacers utilizing 5/16" pan head screws (provided) (Fig. 3a, pg. 4).  
**Note:** Honeywell NX4PCB modules have one (1) RJ45 jack each.  
 Please make sure that they are mounted correctly, as shown in Fig. 3 below.
3. Mount backplane to enclosure with hardware.

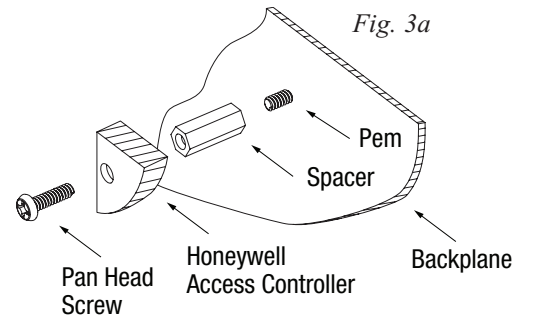
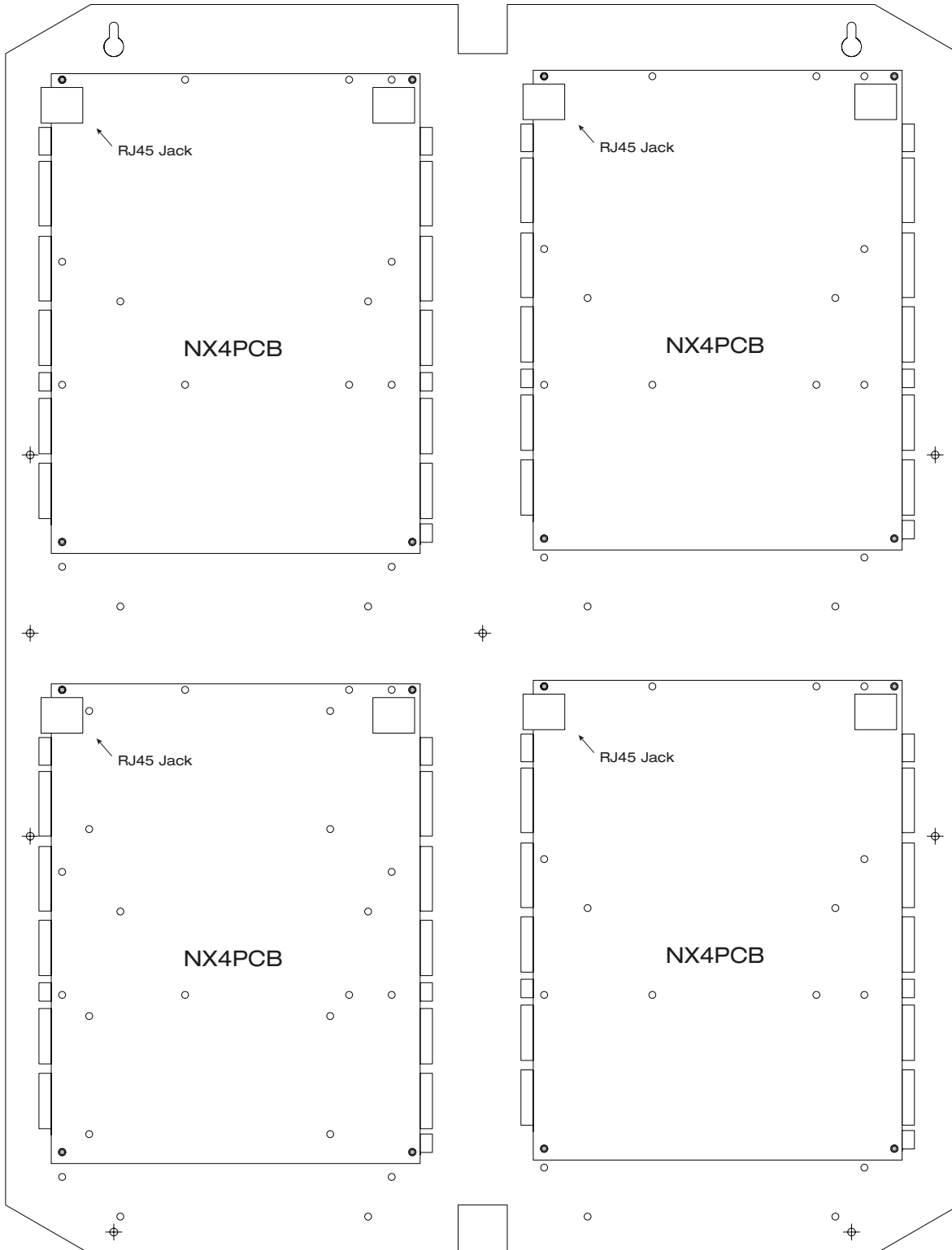


Fig. 3



## Installation Instructions for Honeywell NetAXS-123 with/without NXD1/NXD2 to THN2:

1. Fasten spacers (provided) to appropriate pems on backplane (Fig. 4, pg. 5).
2. Mount boards to spacers utilizing 5/16" pan head screws (provided) (Fig. 4a, pg. 5).

**Note:** Honeywell NetAXS-123 modules have one (1) RJ45 jack each.

Please make sure that they are mounted correctly, as shown in Fig. 4 below.

In order to properly mount and connect NXD1/NXD2 do the following:

- prior to mounting on backplane, attach NXD1/NXD2 to the NetAXS-123 by connecting the multi-pin connector on the bottom of NXD1/NXD2 to the multi-pin jack on NetAXS-123. Make sure that pre-installed bump screws on NXD1/NXD2 go through the corresponding holes in NetAXS-123.
- secure NXD1/NXD2 to NetAXS-123 using pre-installed bump screws and included spacers (Fig. 4b, pg. 5).
- after NXD1/NXD2 is firmly attached and connected to NetAXS-123, follow steps 1 and 2 above to mount them onto THN2.

3. Mount backplane to enclosure with hardware.

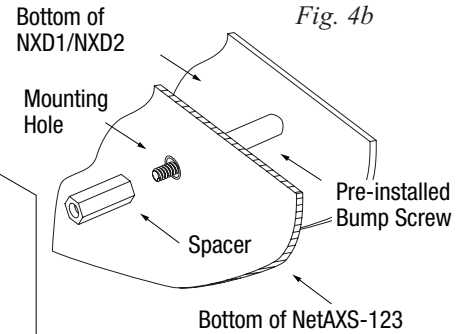
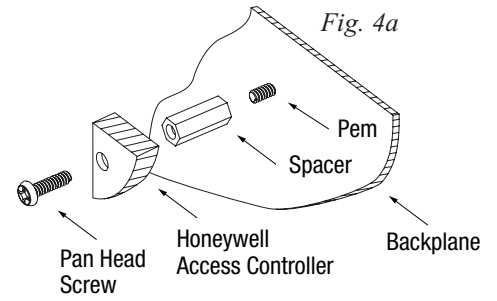
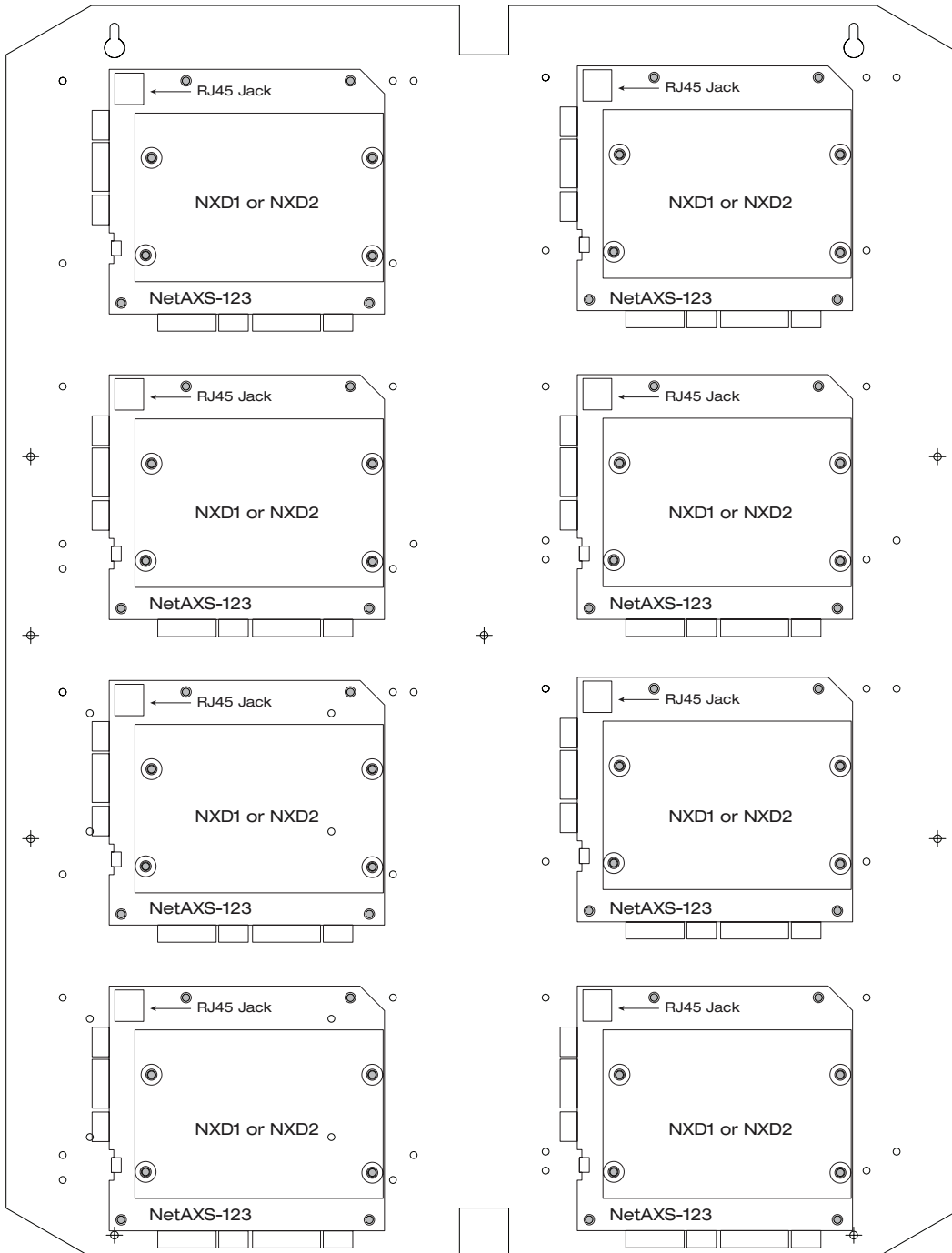


Fig. 4



**Installation Instructions for Honeywell NX4IN or NX4OUT to THN2:**

1. Fasten spacers (provided) to appropriate pems on backplane (Fig. 5, pg. 6).
2. Mount boards to spacers utilizing 5/16" pan head screws (provided) (Fig. 5a, pg. 6).
3. Mount backplane to enclosure with hardware.

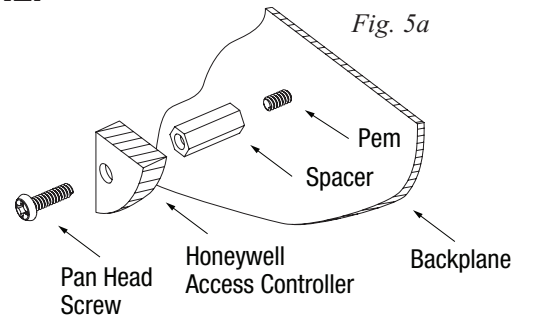
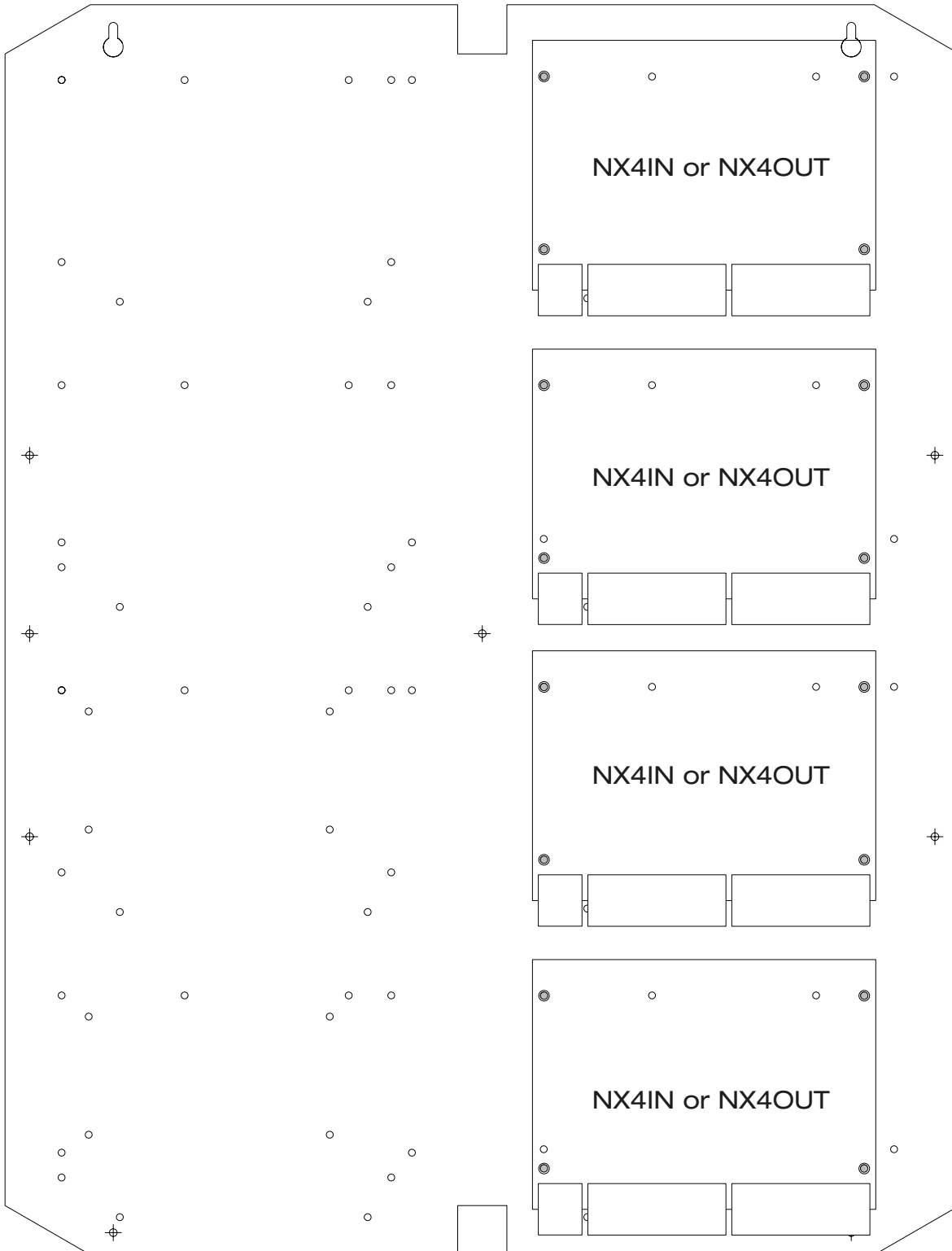


Fig. 5



**THN2 Dimensions (H x W x D):**  
 25.375" x 19.375" x 0.3125" (644.6mm x 492.1mm x 7.9mm)

