



T28140D Open Frame Transformer

Specification Chart:

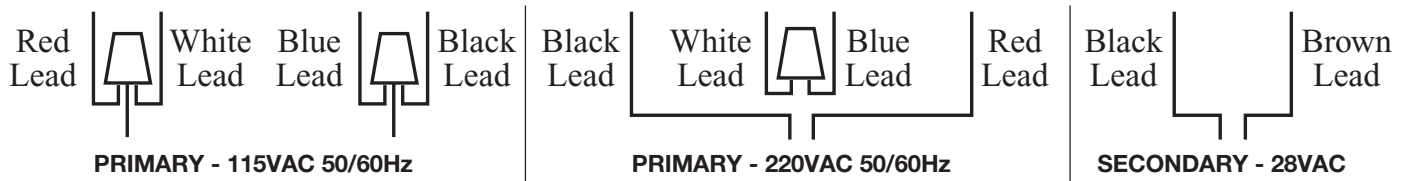
Model #	Input (Primary)	Output (Secondary)
T28140D	115VAC (1.6A) or 220VAC (0.8A) 50/60Hz	28VAC/175VA (6.25A)

Installation Instructions:

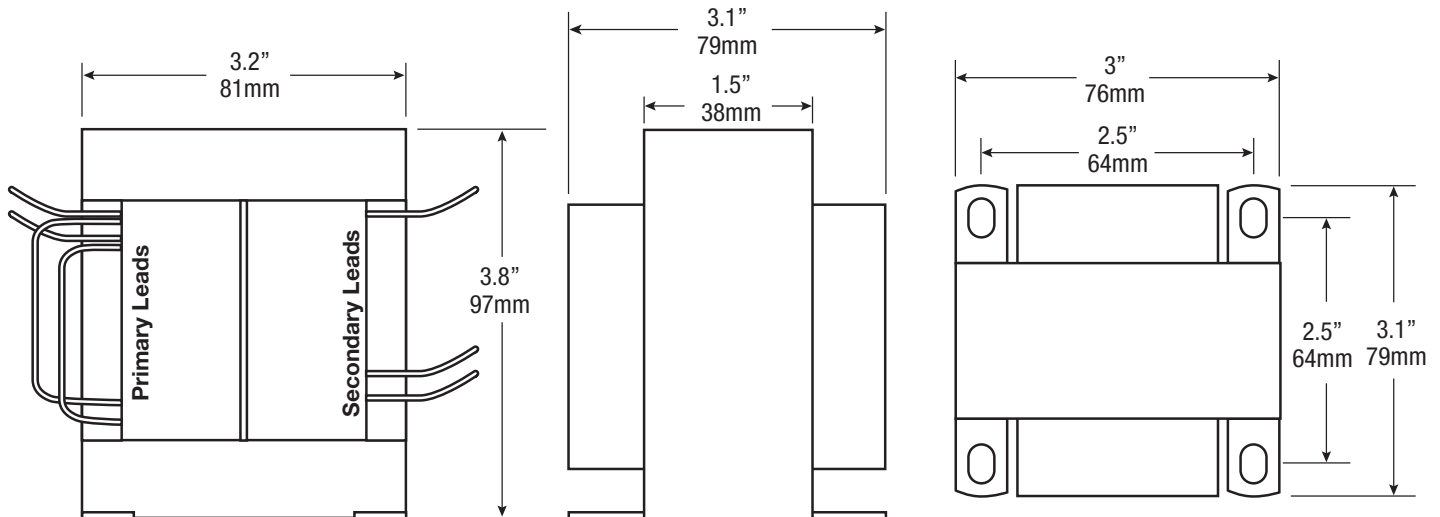
1. Mount transformer in the desired location/enclosure (*refer to Transformer Drawing and Dimensions below*).
2. Connect AC power 115VAC or 220VAC, 50/60Hz to the primary leads (black, white, red and blue) (*refer to Wiring Configuration below*).
3. Measure output voltage across the secondary leads Black and Brown before connecting devices. This helps avoiding potential damage. Open circuit voltage is approx. 26.1VAC (*refer to Wiring Configuration below*).
4. Connect 28VAC device to be powered to the secondary leads (brown and yellow) (*refer to Wiring Configuration below*).

WARNING: This installation should be made by qualified service personnel and should conform to the National Electrical Code and all local codes.

Wiring Configuration:



Transformer Drawing and Dimensions:



Altronix is not responsible for any typographical errors. Product specifications are subject to change without notice.

140 58th Street, Brooklyn, New York 11220 USA | phone: 718-567-8181 | fax: 718-567-9056
 website: www.altronix.com | e-mail: info@altronix.com
 IIT28140D - Rev. 051712

E26Q

