



T24150 Open Frame Transformer

Overview:

T24150 transformer converts 115VAC 50/60Hz to 24VAC for powering low voltage devices. Maximum power output is rated @ 5.4A.

Specification Chart:

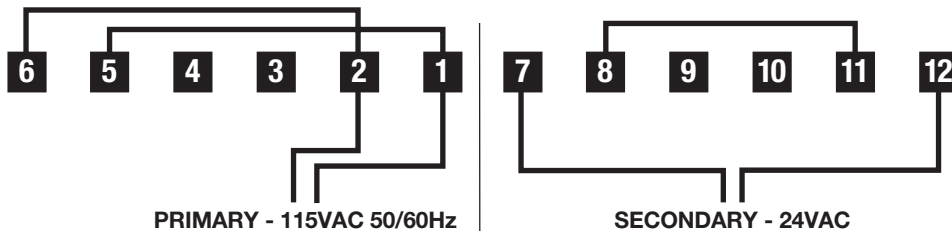
Model #	Input (Primary)	Output (Secondary)
T24150	115VAC 50/60Hz, 1.2A	24VAC/130VA (5.4A)

Installation Instructions:

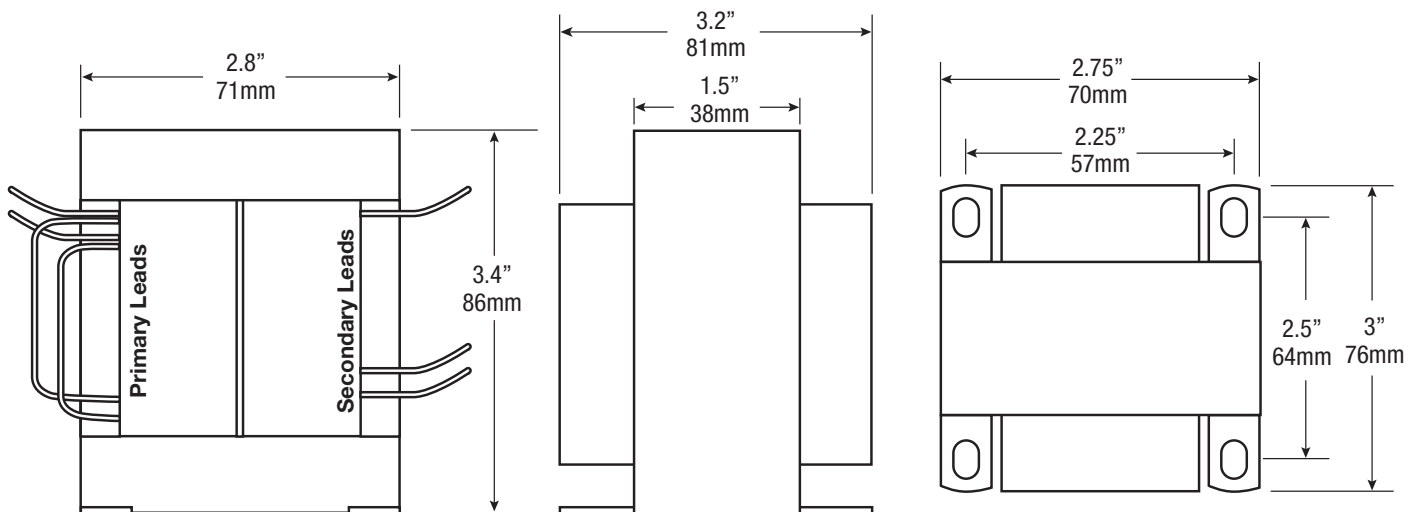
1. Mount transformer in desired location/enclosure (refer to Transformer Drawing and Dimensions below).
2. Connect AC power 115VAC, 50/60Hz to primary leads (black and white) from terminal numbers 1 and 2 (refer to Wiring Configuration below).
3. Measure output voltage across the secondary leads (yellow and blue) from terminal numbers 7 and 12 (refer to Wiring Configuration below) before connecting devices. This helps avoiding potential damage. Open circuit voltage is approx. 26.1VAC @ 115VAC input.
4. Connect 24VAC device(s) to the secondary leads which are connected to terminals 7 and 12 (refer to Wiring Configuration below).

WARNING: This installation should be made by qualified service personnel and should conform to the National Electrical Code and all local codes.

Wiring Configuration:



Transformer Drawing and Dimensions:



Altronix is not responsible for any typographical errors. Product specifications are subject to change without notice.

140 58th Street, Brooklyn, New York 11220 USA | phone: 718-567-8181 | fax: 718-567-9056
website: www.altronix.com | e-mail: info@altronix.com
IIT24150 - Rev. 061710

E26Q

