

TROVE™

Access & Power Integration

T1RM3F4

Fully assembled kit includes:

- Trove1R rack enclosure with Altronix/Mercury backplane (TM1R)
- (1) eFlow6NB - Power Supply/Charger
- (1) VR6 - Voltage Regulator
- (1) PDS8 - Fused Dual Output Power Distribution Module
- (1) ACM4 - Fused Access Power Controller

T1RM3F4D

Fully assembled kit includes:

- Trove1R rack enclosure with Altronix/Mercury backplane (TM1R)
- (1) eFlow6NB - Power Supply/Charger
- (1) VR6 - Voltage Regulator
- (1) PDS8CB - PTC Dual Output Power Distribution Module
- (1) ACM4CB - PTC Access Power Controller

Installation Guide

All registered trademarks are property of their respective owners.



More than just power.™

Rev. T1RM3F4080720

Installing Company: _____ Service Rep. Name: _____

Address: _____ Phone #: _____

Overview:

Altronix T1RM3F4 and T1RM3F4D rack kits are pre-assembled and consist of Trove1M1R enclosure/backplane with factory installed Altronix power supply/charger and sub-assemblies. These kits also accommodate various combinations of Mercury boards for up to four (4) doors in a single enclosure.

Configuration Chart:

Altronix Model Number	120V/AC 60Hz P/S Input Current (A)	Power Supply Board Input Fuse Rating	Power Supply Board Battery Fuse Rating	Nominal DC Output Voltage		Maximum Supply Current for Main and Aux. Outputs on Power Supply board, PDS8(CB) Power Distribution Module and ACM4(CB) Access Power Controller's outputs (A)	Current Per ACM4 Output (A)	Current Per ACM4CB Output (A)	ACM4(CB) Board Input Fuse Rating	ACM4 Board Output Fuse Rating	ACM4CB Board Output PTC Rating	Fail-Safe/Fail-Secure or Dry Form "C" Outputs (ACM4 Only)	PDS8 Board Input Fuse Rating	PDS8 Board Output Fuse Rating	PDS8CB Board Input PTC Rating	PDS8 Board Output Fuse Rating
				[DC]	[Aux]											
T1RM3F4	3.5	5A/250V	10A/32V	24VDC Output Range (V)	24VDC Output Range (V)	24VDC @ 5.6A	2.5	-	10A/250V	3A/32V	-	4	10A/32V	3A/32V	-	-
T1RM3F4D				-	2.0		-	2.5A		-	-		9A	2.5A		

Hardware and Accessories:

 Spacer |  5/16" Pan Head Screw |  Lock Nut

Specifications:

Agency Listings:

- CE European Conformity.

Mechanical:

- Black enclosure with ample knockouts for convenient access.
- Includes: tamper switch, cam lock and mounting hardware.
- Modular 2U standard EIA 19" drawer with extendable slides up to 48".
- Dimensions (H x W x D): 3.25" x 19.0" x 26.5" (82.6mm x 482.6mm x 673.1mm).

Included Accessories:

- One (1) tamper switch (Altronix Model TS112 or equivalent).
- Cam lock.

Available Accessories (not included):

- *RE2*: Rack Mount Battery Enclosure accommodates up to four (4) 12VDC/7AH batteries.
- *WM5, WM25, WM100*: Magnetic Cable Tie Mounts (5, 25, 100 counts).

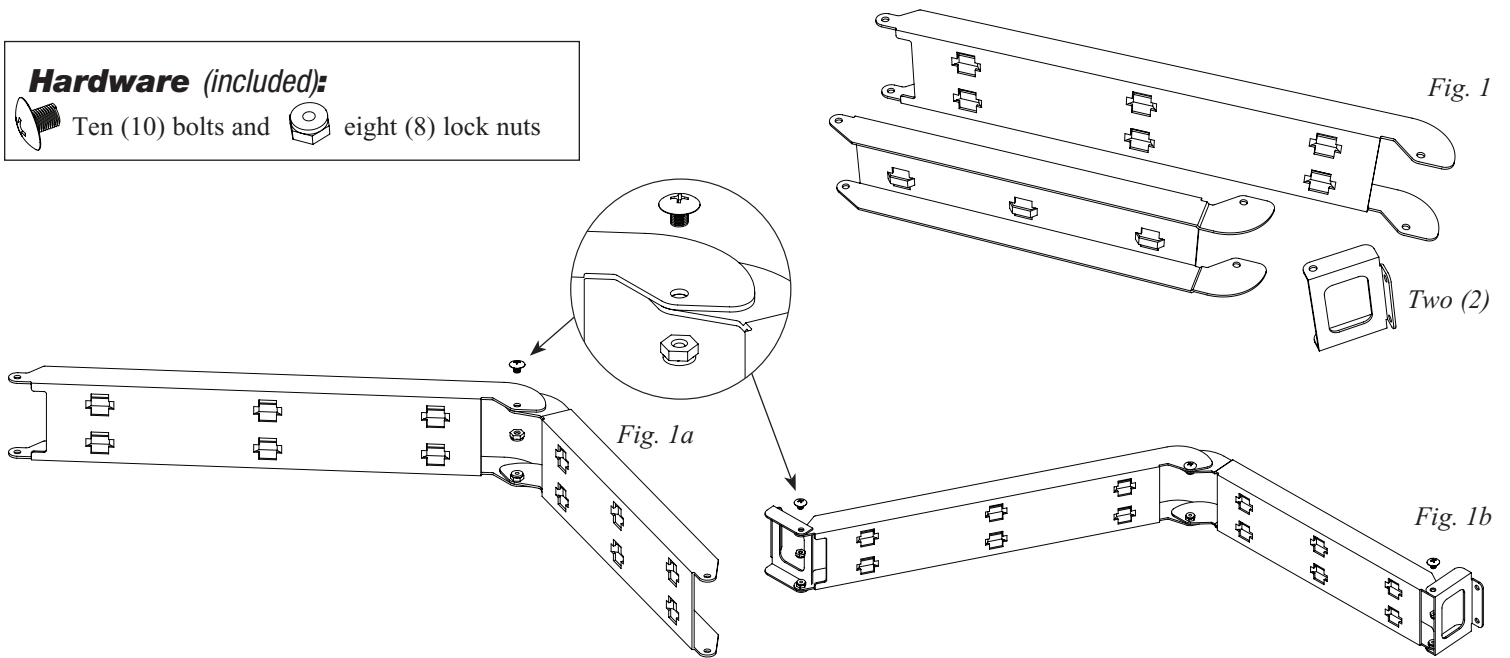
Assembling and Attaching Z Bracket Wire Management Accessory (included):

Altronix Trove Rack enclosures include Z Bracket, a convenient and reliable wire management accessory.

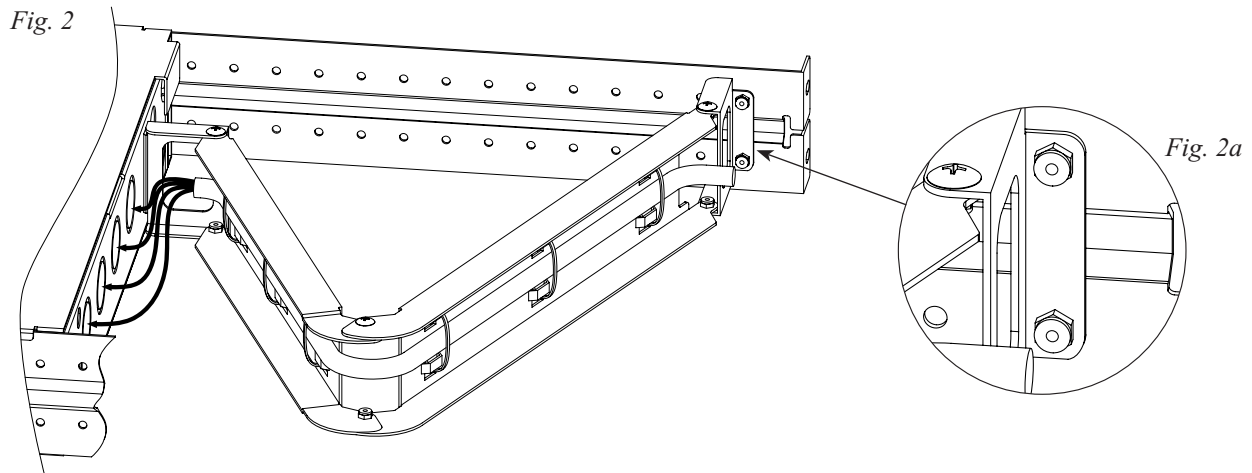
1. Carefully unpack Z Bracket. Do not discard hardware (included) (Fig. 1, pg. 3).
2. Attach arms to each other using bolts and lock nuts (Fig. 1a, pg. 3).
3. Attach the hinge brackets to the ends of arms using bolts and nuts positioning them as shown on Fig. 1b, pg. 3.
4. Make sure that all nuts are tightened.

Hardware (included):

 Ten (10) bolts and  eight (8) lock nuts



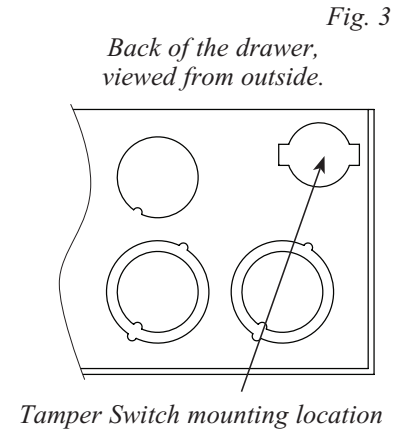
5. Attach the hinge bracket on the longer side of Z Bracket to the adjustable rail using bolts and lock nuts (included) (Fig. 2, 2a, pg. 3).
6. Attach the hinge bracket on the shorter side of Z Bracket to the rear of the rack enclosure using bolts (included).



Installation Instructions for T1RM3F4(D):

Wiring methods shall be in accordance with the National Electrical Code/NFPA 70/ANSI, and with all local codes and authorities having jurisdiction. Product is intended for indoor use only.

1. Remove backplane from enclosure prior to installing into rack cabinet (do not discard hardware).
2. In order to mount included UL Listed tamper switch (Altronix Model TS112 or equivalent) turn the enclosure upside down. Punch out the knockout in designated location, on the back of the unit, from outside of the drawer (Fig. 3, pg. 4). Insert the tamper switch into the knockout from outside of the drawer with the button facing outwards and spaded connectors inside the drawer. Connect tamper switch wiring to the Access Control Panel input or the appropriate UL Listed reporting device. To activate alarm signal open the rack drawer.
3. Slide the rack enclosure into an open 2U location in the four post rack cabinet.
4. Utilizing proper fasteners attach front ears to the rack rails.
5. Attach the rear of the adjustable slides to the rear rails of the rack cabinet with the proper fasteners.
6. Ensure that all internal configurations (voltage selection, switch settings, etc.) are completed before mounting backplane back into Trove rack enclosure.
7. Refer to the *eFlow Power Supply/Charger Installation Guide* for eFlow6NB and corresponding sub-assembly *Installation Guides* for the following models: ACM4(CB), PDS8(CB), VR6 for further instructions.



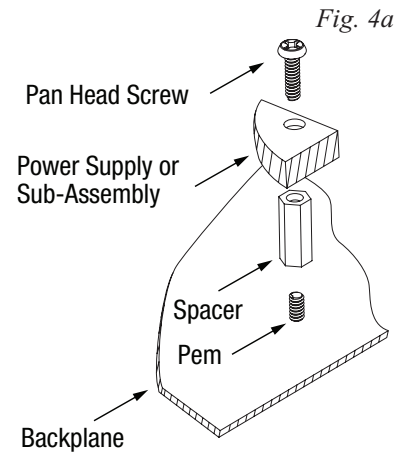
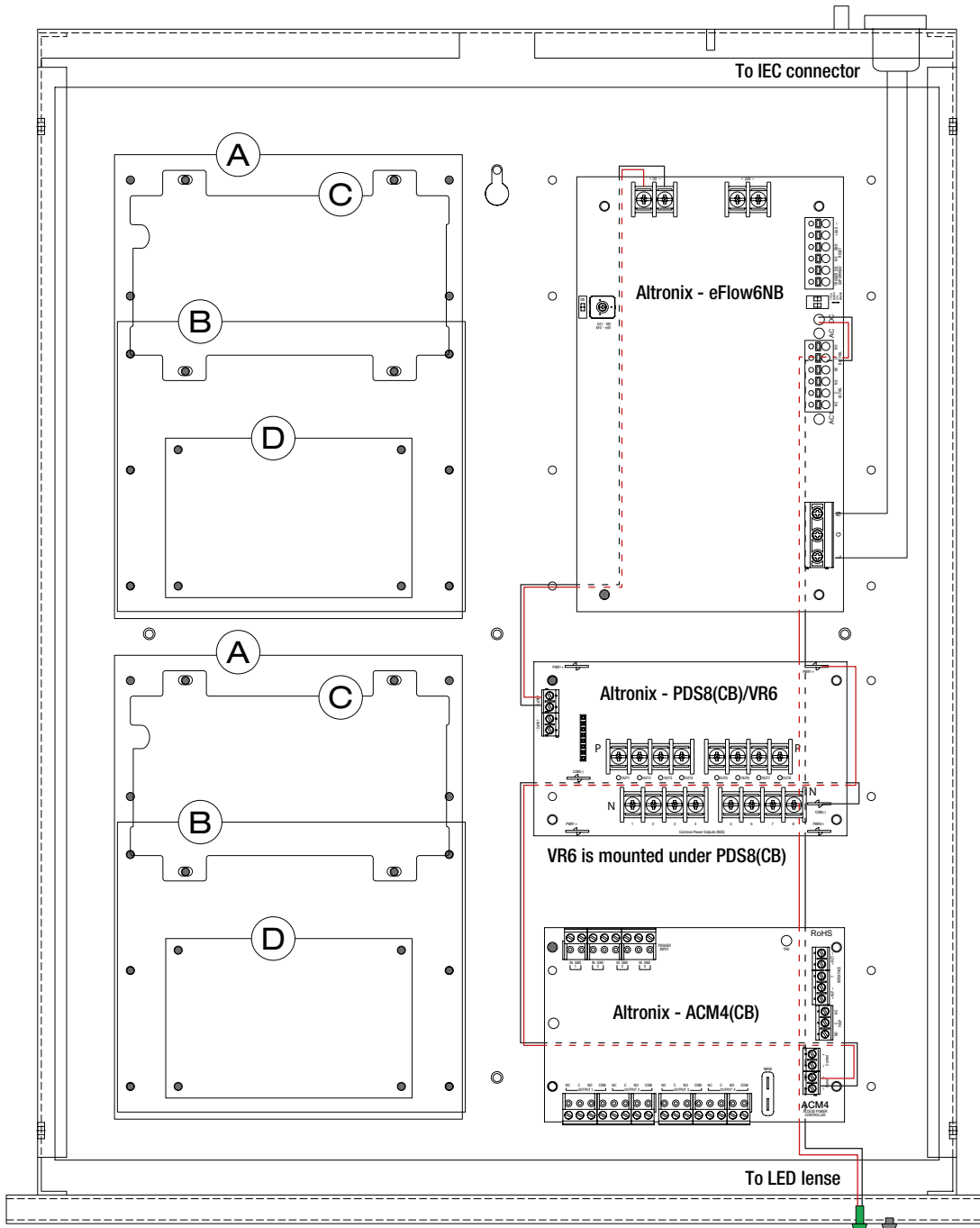
T1RM3F4(D): Configuration of Mercury Boards:

1. Fasten spacers onto metal pems configuration (A), (B), (C) or (D) of backplane depending on the access controller (Fig. 4, pg. 5).
2. Position access controller module over corresponding spacers and fasten screws into spacers (Fig. 4a, pg. 5).
3. Mount backplane to enclosure with hardware.

Access Controller Position Chart for the Following Models:

Mercury Access Controller	Pem Mounting
EP1502, MR52, MR16IN, MR16OUT	(A)
EP2500, MUX8	(B)
EP1501, MR51e	(C)
MR50	(D)

Fig. 4

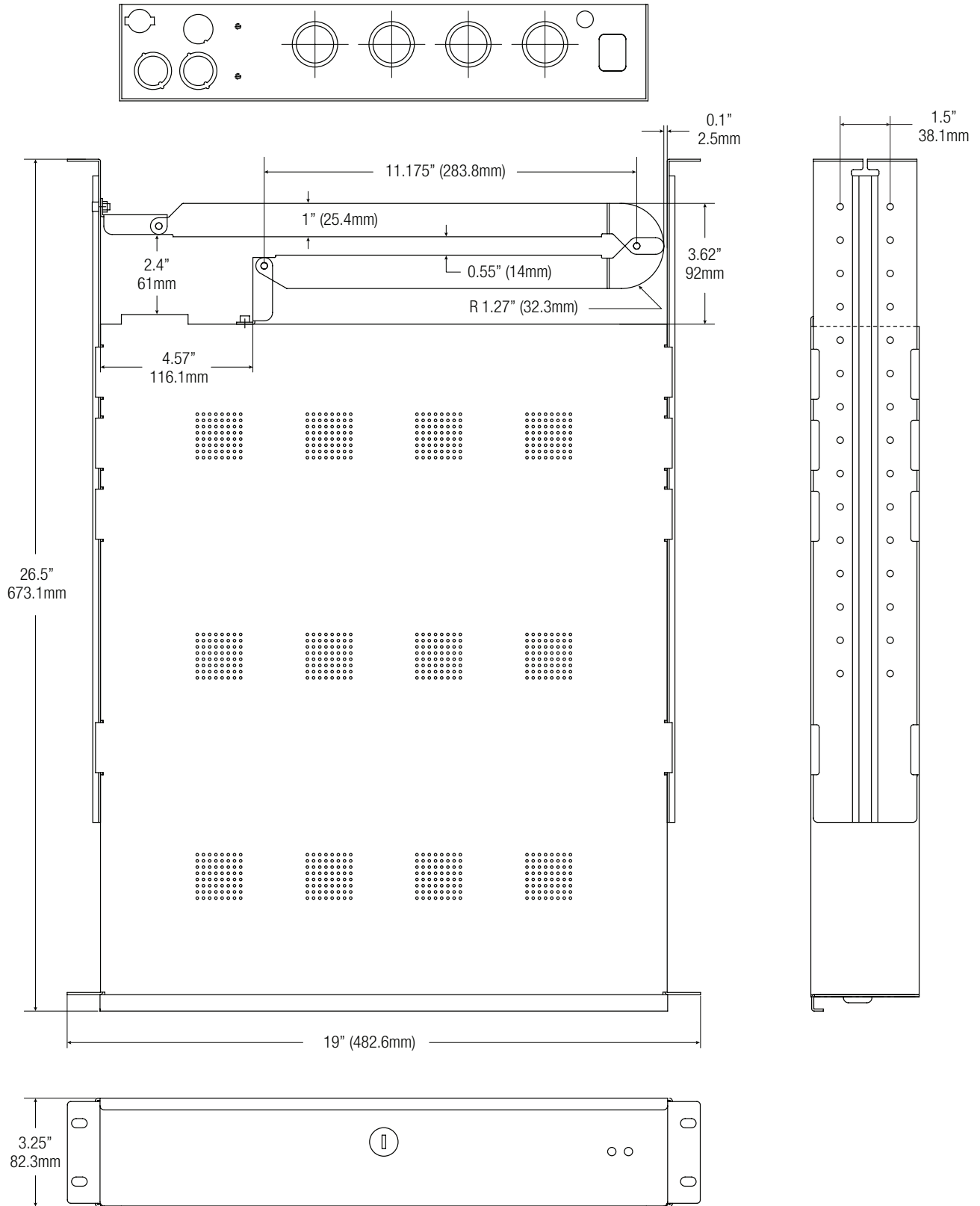


Notes:

Notes:

Trove1R Enclosure Dimensions (H x W x D):

3.25" x 19.0" x 26.5" (82.6mm x 482.6mm x 673.1mm). Shown with Z Bracket attached.



Altronix is not responsible for any typographical errors.

140 58th Street, Brooklyn, New York 11220 USA | phone: 718-567-8181 | fax: 718-567-9056
 web site: www.altronix.com | e-mail: info@altronix.com | Made in U.S.A.
 IIT1RM3F4(D)

A14U

