

# NetWaySP1BTWPX

## 802.3bt Media Converter/Injector with Integral Power

### Description

Altronix NetWaySP1BTWPX Outdoor 802.3bt media converter/injector provides a single 802.3bt (4PPoE) port up to 90W and accommodates Fiber (1000Base-X/SX/LX) or structured cable to transmit data. Units can be deployed with structured cable, conventional single/multimode fiber or composite cable (fiber + copper combined). Cameras/edge devices may be located up to 100m from the unit. NEMA 4/4X IP66-11 enclosure accommodates stand-by batteries



NetWaySP1BTWPX

### Key Features

- Single PoE port provides up to 90W for high PoE illuminators, lighting, PTZ cameras, etc.
- Gigabit SFP port.
- 10/100/1000 Mbps data port.
- IEEE 802.3bt (90W), IEEE 802.3at (30W) and IEEE 802.3af (15W) compliant.
- Built-in battery charger.
- Lifetime Warranty / Made in the U.S.A.
- NEMA 4/4X, IP66-11 Rated enclosure for outdoor use.

### Similar products:

- NetWaySP1BTWP - Outdoor 802.3bt media converter/injector with integral power in NEMA 4/4X IP66-11 enclosure.
- NetWaySP1BTWPN - Outdoor 802.3bt media converter/injector in compact NEMA 4/4 IP66-11 enclosure *(powered via NetWaySP4P with composite cable application)*
- NetWaySP1BT - 802.3bt Media converter/injector only

### Specifications

#### Input

115VAC, 60Hz, 2.5A or 230VAC, 50/60Hz, 1.3A.  
Input Fuse 5A/250V.

#### Fiber Port

One (1) 1Gb SFP port.

#### PoE Port

Single port rated up to 90W max.  
IEEE 802.3af, 802.3at and 802.3bt compliant

#### Data Port

Connectivity: RJ45, auto-crossover.  
Wire type: 4-pair CAT5e.  
Distance: up to 100m.  
Speed: 10/100/1000 Mbps.

#### Back-up Battery (batteries not included)

Type Sealed lead acid or gel type.  
Failover Upon AC loss, instantaneous.

#### Indicators (LED)

Yellow/Green RJ45 LEDs: Yellow: 10/100  
Green: 10/100/1000  
Green PoE LED: PoE present.  
Green SFP (Fiber) LED: SFP connection.

#### Features

Auto detection and protection of legacy non-PoE cameras/devices.  
Lifetime Warranty. Made in U.S.A.

#### Agency Listings

CE European Conformity.

#### Physical and Environmental

Enclosure Dimensions (H x W x D approx.):  
17.53" x 15.3" x 6.67" (445.3mm x 388.6mm x 169.4mm).  
NEMA 4/4X, IP66-11 Rated enclosure for outdoor use.

#### Product Weight / Shipping (approx.)

Product Weight: 15 lb. (6.8 kg).  
Shipping Weight: 17.5 lb. (7.9kg).

#### Temperature

Operating: 60W: -40°C to 75°C (-40°F to 167°F).  
80W: -40°C to 70°C (-40°F to 158°F).  
90W: -40°C to 60°C (-40°F to 140°F).  
Storage: -40°C to 85°C (-40°F to 185°F).

Relative Humidity: 85% +/-5%

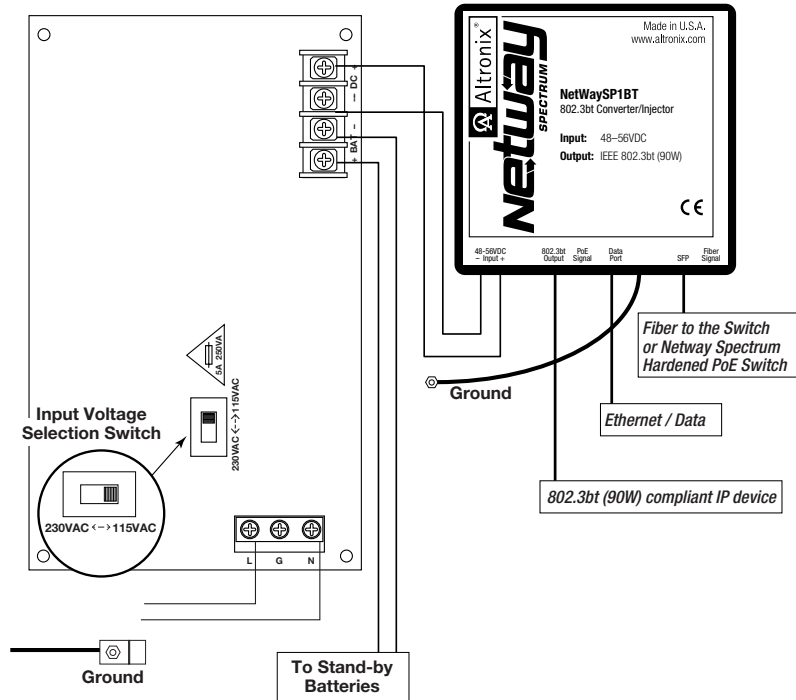
BTU/Hr. (approx.): 61 BTU/Hr.

Operating Altitude: -304.8 to 2,000m.

# NetWaySP1BTWPX

## 802.3bt Media Converter/Injector with Integral Power

### Typical Application



### Accessories



#### PMK2 - Pole Mount Kit

(order separately)

PMK2 pole mount kit is designed to simplify installation of outdoor units. It accommodates 2" - 8"(diameter) poles.



#### P1MM and P1SM10 - SFP Modules

Altronix P1MM and P1SM10 are hot-pluggable SFP fiber transceiver modules and are readily usable with all Altronix Spectrum fiber optic equipment for 1G transmission rates. The P1MM is to be used with Multi-Mode Fiber for distances up to 550m. The P1SM10 is to be used with Single-Mode Fiber for distances up to 10Km.



#### P1AB2K - SFP Single-Mode Transceiver Kit

P1A2K and P1B2K are hot-pluggable bi-directional single strand SFP fiber transceiver modules and are readily usable with all Altronix NetWay Spectrum fiber optic equipment for 1G transmission rates at distances up to 2km.



#### P1GCE - SFP Copper Transceiver

P1GCE is a hot-pluggable SFP transceiver module and is readily usable with all Altronix NetWay Spectrum equipment for 1G transmission rates. The P1GCE is to be used with CAT5e or better copper ethernet for distances up to 100m.