



Fiber Solution

Media Converters

Models Include:

NetWaySP8A

- 8-Port Media Converter/Repeater

NetWaySP16A

- 16-Port Media Converter/Repeater

Installation Guide



I.T.E. 43KC

DOC#: NETSP8A_16A Rev. 060517



More than just power.™

Installing Company: _____ Service Rep. Name: _____

Address: _____ Phone #: _____

Overview:

Altronix NetWaySP8A and NetWaySP16A media converter/repeaters convert a 10/100/1000 Mbps to Fiber (1000Base-X/SX/LX).

Features:

Agency Listings:

- **UL/cUL** UL 60950-1 (Information Technology Equipment).
- **CE** European Conformity.

Input:

NetWaySP8A:	115VAC, 60Hz, 0.5A or 230VAC, 50/60Hz, 0.3A.
NetWaySP16A:	115VAC, 60Hz, 1.0A or 230VAC, 50/60Hz, 0.5A.

Fiber Ports:

NetWaySP8A:	Eight (8) 1Gb SFP ports.
NetWaySP16A:	Sixteen (16) 1Gb SFP ports.

Ethernet:

- NetWaySP8A:** Eight (8) 10/100/1000 Mbps.
- NetWaySP16A:** Sixteen (16) 10/100/1000 Mbps.

LED Indicators:

- Ethernet (RJ45):
 - Green LED = 1Gbps
 - Yellow/orange LED = 10/100 Mbps.
- Link SFP LED: Indicates SFP connection.

Environmental:

- Refer to Environmental Conditions on *page 3*.

Dimensions (W x L x H approx.):

1.625" x 19.125" x 8.5"
(41.3mm x 486mm x 216mm).

Installation Instructions:

Wiring methods shall be in accordance with the National Electrical Code (ANSI/NFPA70), local codes, and the authorities having jurisdiction. NetWaySP8A/NetWaySP16A is not intended to be connected to outside plant leads. These products are for indoor use only and must be installed within the protected premises.

1. Attach mounting brackets to the unit for rack or wall mount installation (*Fig. 3 or 4, pg. 4*).

Affix rubber pads to the unit for shelf installation (*Fig. 5, pg. 4*).

2. Secure the unit in a rack or on a wall, or place unit on a shelf as desired.

Note: The following factors should be taken into consideration when installing these rack mount units:

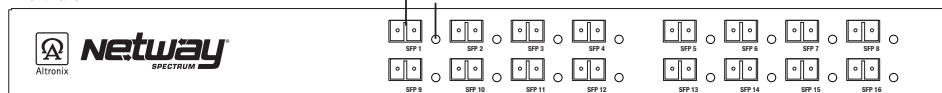
- a. The unit is to be installed in a space where the maximum ambient temperature does not exceed 104°F (40°C).
 - b. Take care to ensure that there is sufficient air flow around the unit and that obstructions do not impede it.
 - c. When mounting units in a rack, take care to avoid uneven loading which can cause a hazardous condition.
3. Plug the grounded AC line cord (included) into the IEC 320 connector of the unit (*Fig. 1d, pg. 2*). Plug unit into a reliable earth grounded socket. When using multiple units, the sum of the individual name plate ratings should not exceed the supply circuit rating.

Do not connect to a receptacle controlled by a switch.

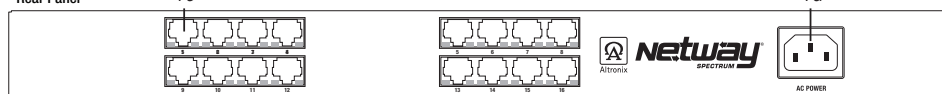
4. Connect structured cable from port(s) marked [1-8] or [1-16] on NetWaySP8A/16A to the corresponding input(s) of an UL Listed ethernet switch (*Fig. 1c, pg. 2*).
5. Connect fiber optic cable to a fiber SFP module. Connect the module to the port(s) marked [SFP1-SFP8], [SFP1-SFP16] on the NetWaySP8A/16A. Connect the other end of fiber cable to an SFP module of a remote device (*Fig. 1a, pg. 2*). SFP LED will illuminate indicating data connection (*Fig. 1b, pg. 2*).

Fig. 1

Front Panel



Rear Panel



1a 1Gb SFP port.

1b LED indicates fiber link.

1c RJ45 connects to switch

1d IEC 320 Connector: 115/230VAC (grounded line cord included).

Recommended Altronix SFP Modules:

Altronix P1MM, P1SM10, P1AB2K and P1GCE are hot-pluggable SFP fiber transceiver modules and are readily usable with all Altronix Spectrum fiber optic equipment for 1Gb transmission rates.

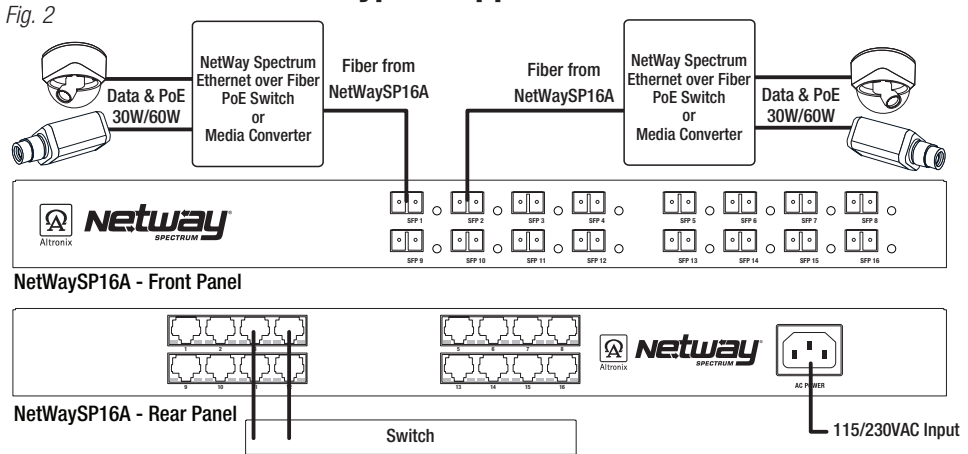
P1MM - For use with Multi-Mode Fiber for distances up to 550m.

P1SM10 - For use with Single-Mode Fiber for distances up to 10km.

P1AB2K - For use with Single Strand Single-Mode Fiber for distances up to 2km.

P1GCE - For use with CAT5e or better for distances up to 100m.

Typical Application:



Technical Specifications:

Parameter	Description
Number of Ports (SFP / Ethernet)	NetWaySP8A: Eight (8) Gigabit SFP Ports. Eight (8) 10/100/1000Mbps Ethernet ports. NetWaySP16A: Sixteen (16) Gigabit SFP Ports. Sixteen (16) 10/100/1000Mbps Ethernet ports.
Input Power Requirements	NetWaySP8A: 115VAC, 60Hz, 0.5A or 230VAC, 50/60Hz, 0.3A. NetWaySP16A: 115VAC, 60Hz, 1.0A or 230VAC, 50/60Hz, 0.5A.
Environmental Conditions	Operating Ambient Temperature (50W): - 40°C to 50°C (- 40°F to 122°F) Relative Humidity: 85%, +/- 5% Storage Temperature: - 40°C to 85°C (- 40°F to 185°F). Operating Altitude: - 304.8 to 2,000m.
Regulatory Compliance	cULus UL/cUL Listed for Information Technology Equipment (UL 60950-1) I.T.E. 43KC CE CE European Conformity.
Weights (approx.)	NetWaySP8A: Product: 3.81 lb. (1.72kg) Shipping: 6.00 lb. (2.72kg) NetWaySP16A: Product: 4.5 lb. (2.04kg) Shipping: 6.69 lb. (3.03kg)



The lightning flash with arrowhead symbol within an equilateral triangle is intended to alert the user to the presence of an insulated DANGEROUS VOLTAGE within the product's enclosure that may be of sufficient magnitude to constitute an electric shock.



The exclamation point within an equilateral triangle is intended to alert the user to the presence of important operating and maintenance (servicing) instructions in the literature accompanying the appliance.



CAUTION
RISK OF ELECTRIC SHOCK
DO NOT OPEN

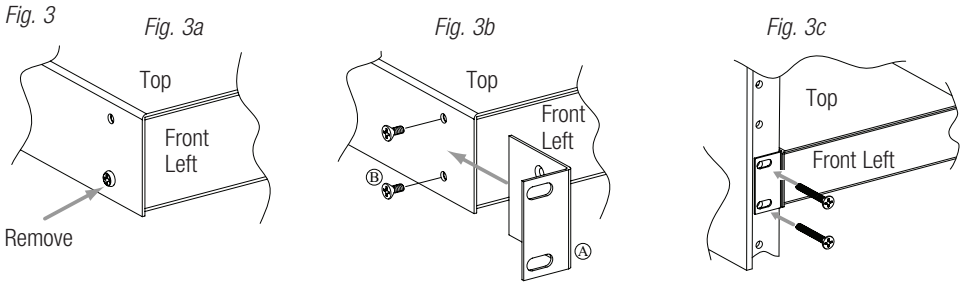


CAUTION: To reduce the risk of electric shock do not open enclosure. There are no user serviceable parts inside. Refer servicing to qualified service personnel.

Mounting Options:

Rack Mount Installation

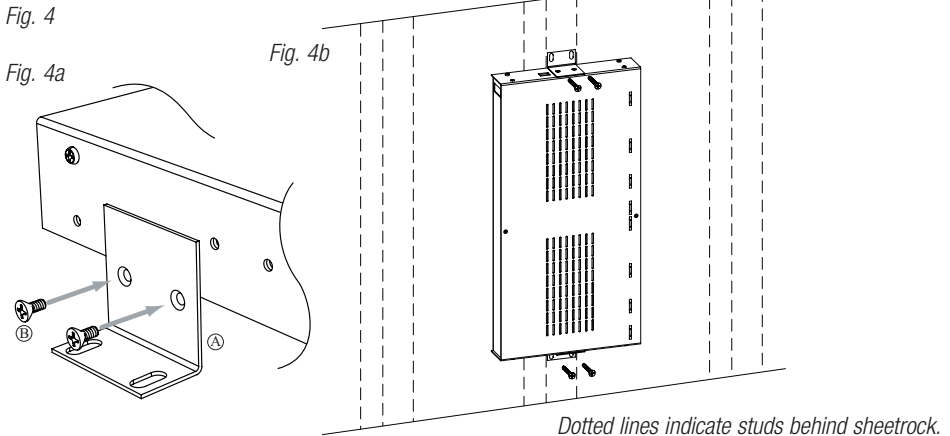
1. Remove and discard factory installed screws from both sides of rack chassis (Fig. 3a).
2. Install mounting brackets (A) on the left and right side of rack chassis using the four (4) flat head screws (B) (included) (Fig. 3b).
3. Place unit into desired EIA 19" rack position and secure with mounting screws (not included) (Fig. 3c).



Wall Mount Installation

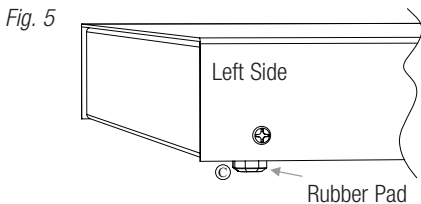
1. Install mounting brackets (A) on the left and right side of rack chassis using four (4) flat head screws (B) (included) (Fig. 4a).
2. Place unit at desired location and secure with #6 size screws or larger (not included) (Fig. 4b).

Caution: It is necessary to make sure mounting screws are securely fastened to a beam when installing the unit vertically.

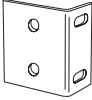




Shelf Installation

1. Position and affix rubber pads (C) (included) at each corner on the bottom of the unit (Fig. 5).
2. Place unit in desired location.



Mounting Hardware (Included):

-  (A) Two (2) mounting brackets
-  (B) Six (6) flat head screws for mounting brackets.
-  (C) Four (4) rubber pads.

Altronix is not responsible for any typographical errors.

140 58th Street, Brooklyn, New York 11220 USA | phone: 718-567-8181 | fax: 718-567-9056
 website: www.altronix.com | e-mail: info@altronix.com | Lifetime Warranty
 IINetWaySP8A/NetWaySP16A H27U

