

## 4-Port Ethernet over Fiber PoE+ Hardened Switches Installation Guide

### Models include:

#### **NetWaySP4WP**

- Dual Fiber Optic SFP 1G Link,  
4-port PoE+ switch and power supply.
- NEMA4/4X, IP66 rated Outdoor enclosure.

#### **NetWaySP4WPX**

- Dual Fiber Optic SFP 1G Link,  
4-port PoE+ switch and power supply.
- NEMA4/4X, IP66 rated Outdoor enclosure.
- Accommodates up to four (4)  
12VDC/4AH batteries.

#### **NetWaySP4X**

- Dual Fiber Optic SFP 1G Link,  
4-port PoE+ switch and power supply.
- NEMA1 rated Indoor enclosure.

#### **NetWaySP4WPN**

- Dual Fiber Optic SFP 1G Link and  
4-port PoE+ switch  
(uses external power supply).
- NEMA4/4X, IP66 rated Outdoor enclosure.

#### **NetWaySP4PL**

- Dual Fiber Optic SFP 1G Link,  
4-port PoE+ switch and power supply.
- Backplane version.

#### **NetWaySP4B**

- Dual Optic SFP 1G Link and  
4-port PoE+ switch
- Board only.



## **Table of Contents:**

<b>Overview</b> .....	<i>pg. 3</i>
<b>Features</b> .....	<i>pg. 3</i>
<b>Agency Listings</b> .....	<i>pg. 3</i>
<b>Enclosure/Board/Backplane Mounting Instructions</b> .....	<i>pg. 4</i>
<b>Installation Instructions</b> .....	<i>pg. 4</i>
<b>Recommended Altronix SFP Modules</b> .....	<i>pg. 5</i>
<b>Technical Specifications</b> .....	<i>pg. 5</i>
<b>Configuring Units for Network Connection</b> .....	<i>pg. 5</i>
Factory Default Settings .....	<i>pg. 5</i>
Network Settings .....	<i>pg. 6</i>
Static .....	<i>pg. 6</i>
DHCP .....	<i>pg. 6</i>
Secure Network Setup .....	<i>pg. 6</i>
<b>VLans</b> .....	<i>pg. 7</i>
<b>Factory Reset Option</b> .....	<i>pg. 8</i>
<b>VLAN Setup Drawing</b> .....	<i>pg. 7</i>
<b>Typical Applications Drawings</b> .....	<i>pg. 9-10</i>
<b>Wall Mount Installation</b> .....	<i>pg. 11</i>
<b>Pole Mounting Using Optional Pole Mount Kit</b> .....	<i>pg. 11</i>
<b>Mechanical Drawings and Dimensions</b> .....	<i>pg. 12-15</i>

## Overview:

Altronix NetWay Indoor/Outdoor Ethernet over Fiber PoE Hardened Switches provide two (2) 1Gb SFP ports and four (4) PoE+ (30W) ports or up to two (2) Hi-PoE (60W) ports, passing data and power to PoE/PoE+ compliant devices. Cameras/edge devices may be located up to 100m from the unit. Features also include an integral battery charger for applications requiring backup and embedded LINQ Technology to monitor, control, and report power and diagnostics from anywhere.

## Features:

### Input:

- 115VAC, 60 Hz, 2.5A or 230VAC, 50/60 Hz, 1.3A. NetWaySP4B/NetWaySP4WPN: 48-55V UL Listed ITE power supply (up to 120W)

### Power Output:

- Four (4) ports PoE+ (30W) or up to two (2) Hi-PoE (60W) ports.
- IEEE 802.3at (30W) and IEEE 802.3af (15W) compliant.
- 120W total power.
- Integral surge protection.

### Fiber Port:

- Two (2) Gigabit SFP ports.
- Use with SFP module 1000Base-X (1Gb), compliant to Class 1 laser product (not included).

### Ethernet Ports:

- Four (4) 10/100/1000 Mbps ports.
- Connectivity: RJ45, auto-crossover.
- Wire type: 4-pair CAT5 or better structured cable.
- Distance: up to 100m.
- Speed: 10/100/1000 Mbps, half/full duplex, auto negotiation.

### Battery Backup:

- Built-in charger for sealed lead acid or gel type batteries.
- Automatic switch over to stand-by battery when AC fails.

### LEDs:

- Individual **PoE On** LEDs for each port.
- Individual **IP Link status**, **10/100Base-T/active** LEDs for each port.
- **ALOS** LED indicates fiber connection for SFP port.
- **Heartbeat** LED indicates proper operation of the unit.

### Environmental:

- Refer to Technical Specifications Chart on page 4 for Environmental Conditions.

### VLAN:

- Multiple management VLAN assignment.
- 802.1Q Tagged VLAN.
- Up to 6 VLAN groups. ID Range 2-4095.

### Applications:

- Provides PoE / PoE+ / Hi-PoE for cameras/devices.
- Altronix Spectrum switches can be used as a switching node in daisy chain and ring network configurations.
- Spectrum switches can pass VLAN 802.1Q protocol.
- Spectrum switches can pass SNMP protocol.

### LINQ Technology:

- Remote network management allows for camera/device reset and monitoring.
- PoE port management via Dashboard IP management program.
- Provides local and/or remote access to critical information via LAN/WAN.
- Email and Windows Dashboard Alert notifications report real-time diagnostics.
- Event log tracks history.

### Accessories:

#### NetWaySP1A

- Ethernet over Fiber Media Converter/Repeater - for applications requiring an additional SFP (Fiber) port

### Mechanical:

#### NetWaySP4WP

- NEMA4/4X, IP66 Rated enclosure for outdoor use.
- Dimensions (H x W x D approx.): 13.31" x 11.31" x 5.59" (338.1mm x 287.3mm x 142mm).

#### NetWaySP4WPN

- NEMA4/4X, IP66 Rated enclosure for outdoor use.
- Dimensions (H x W x D approx.): 13.31" x 11.31" x 5.59" (338.1mm x 287.3mm x 142mm).

#### NetWaySP4WPX

- NEMA4/4X, IP66 Rated enclosure for outdoor use.
- Accommodates four (4) 12VDC/4AH batteries (48V of backup).
- Dimensions (H x W x D approx.): 17.53" x 15.3" x 6.67" (445.3mm x 388.6mm x 169.4mm).

#### NetWaySP4X

- Dimensions (H x W x D approx.): 13.5" x 13" x 3.25" (342.9mm x 330.2mm x 83mm).

#### NetWaySP4PL

- Dimensions (H x W x D approx.): 10.75" x 8.875" x 2.375" (273.1mm x 225.4mm x 60.3mm).

#### NetWaySP4B

- Dimensions (L x W x D approx.): 5.625" x 4.5" x 0.625" (158.8mm x 142.9mm x 15.9mm).

## Agency Listings:

- UL/cUL Listed for Information Technology Equipment (UL 60950-1), Information Technology Equipment to Be Installed Outdoors (UL 60950-22).
- CE approved.

## Installation Instructions:

Wiring methods shall be in accordance with the National Electrical Code/NFPA 70/ANSI, and with all local codes and authorities having jurisdiction. All units should be installed by a trained service personnel.

### NetWaySP4WP/SP4WPN/SP4WPX Enclosure Mounting and Installation:

- Remove backplane from enclosure prior to drilling. Do not discard hardware.  
**Note:** Make sure that hardware will not interfere with components of the circuit board.
- Mark and drill desired inlets on the enclosure to facilitate wiring. Maximum NEMA type 4X rated fittings to be used are 0.5". Follow manufacturer's specifications for the appropriate size opening.  
**Note:** Inlets for conduit fittings should only be made on the bottom of the enclosure.  
 UL Listed NEMA type 4X rated conduit connector/hubs shall be used for the appropriate size inlets.
- Clean out the inside of enclosure before remounting circuit board.
- Mounting NEMA4/4X rated enclosure (*Enclosure Dimensions, pgs. 12-15*):  
**Wall mount:** Mount unit in desired location. Mark and drill holes to line up with the top and bottom holes of the enclosure flange. Secure enclosure with appropriate fasteners (e. g. screws and anchors; bolts and locking nuts, etc.) that are compatible with mounting surface and are of sufficient length/construction to ensure a secure mount (*Fig. 7, pg. 11*).  
**Pole Mount:** Refer to *Figs. 8 - 11, pg. 11*.
- Mount backplane in enclosure with hardware.
- To facilitate wire entry utilize weather-tight NEMA rated connectors (*supplied*), bushings, and cable.

### NetWaySP4X Enclosure Mounting and Installation:

- Mount unit in the desired location. Mark and predrill holes in the wall to line up with the top two keyholes in the enclosure. Install two (2) upper fasteners and screws in the wall with the screw heads protruding. Place the enclosure's upper keyholes over the two (2) upper screws; level and secure. Mark the position of the lower two (2) holes. Remove the enclosure. Drill the lower holes and install two fasteners. Place the enclosure's upper keyholes over the two (2) upper screws. Install the two (2) lower screws and make sure to tighten all screws (*Enclosure Dimensions, pg. 12*). Secure enclosure to earth ground.

### NetWaySP4B/SP4PL Mounting and Installation:

- Mount board/backplane in the desired location/enclosure with hardware supplied.
- NetWaySP4B:** Connect 56VDC/120W max power source to terminal marked [+ ] and [-].

**Note:** For proper earth ground connections on NetWaySP4B fasten metal standoffs (provided) to threaded studs at indicated board mounting holes (*shown on the right*).

This is recommended for better environmental immunity.

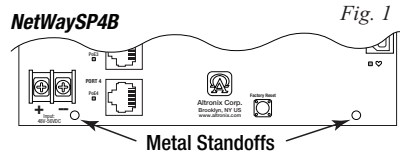


Fig. 1

## Installation:

- For NetWaySP4WP, NetWaySP4WPX, NetWaySP4X, and NetWaySP4PL:**  
**Before powering unit, set input voltage selection switch to proper Input Voltage position (Fig. 3a, pg. 6). Units are factory set for 115VAC.**
- Secure cabinet to earth ground. Connect AC power from overcurrent protective device circuit breaker (20A @ 115VAC, 60Hz, 16A @ 230VAC, 50/60Hz) to the terminals marked [L, N] on power supply board (*Fig. 5, pg. 9*). Use 14AWG or larger for all power connections (Battery, DC output, AC input). Connect ground lug (⊕) to earth or green branch wire (12AWG min.).  
**Note:** For NetWaySP4WPN use external 48-55V UL Listed ITE power supply, carefully observing correct polarity (*Fig. 6, pg. 10*).  
**Keep power-limited wiring separate from non power-limited wiring by utilizing separate knockouts/inlets. Minimum 0.25" spacing must be provided.**  
**CAUTION: Do not touch exposed metal parts. Shut branch circuit power before installing or servicing equipment. There are no user serviceable parts inside. Refer installation and servicing to qualified service personnel.**
- Port Configurations (Fig. 2, pg. 4; Fig. 5b, pg. 9):**

Jumper	Jumper Position	Structured Cable Ports			
		1	2	3	4
PORT 2	30W	30W and Data	30W and Data	-	-
PORT 3	30W	-	-	30W and Data	30W and Data
PORT 2	60W	Data Only	60W and Data	-	-
PORT 3	60W	-	-	60W and Data	Data Only

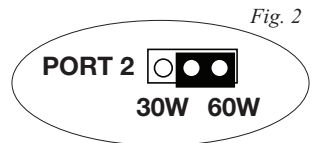


Fig. 2



## **Network Settings:**

In the IP Address Method field select the method that the IP Address for the NetWaySP4 will be obtained (STATIC or DHCP), then follow the appropriate steps.

### **Static:**

- A. IP Address: Enter the IP address assigned to the NetWaySP4 by the network administrator.
- B. Subnet Mask: Enter the Subnet of the network.
- C. Gateway: Enter the TCP/IP gateway of the network access point (router) being used. Gateway configuration is required to properly receive emails from the device.
- D. HTTP Port: Enter the HTTP port number assigned to the NetWaySP4 module by the network administrator to allow remote access and monitoring. The default inbound port setting is 80. HTTP is not encrypted and insecure. Even though HTTP can be used for remote access, it is recommended primarily for use with LAN connections.
- E. HTTPS Port: Enter the HTTPS port number assigned to the NetWaySP4 module by the network administrator to allow remote access and monitoring. The default inbound port setting is 443. Being encrypted and more secure, HTTPS is highly recommended for remote access.
- F. Click the button labeled **Submit Network Settings**.  
A dialog box will display “New network settings will take effect after the server is rebooted”. Click **OK**.

### **DHCP:**

- A. After selecting DHCP in the IP Address Method field click the button labeled **Submit Network Settings**. A dialog box will display “New network settings will take effect after the server is rebooted”. Click **OK**. Next, click on the button labeled **Reboot Server**. After rebooting the NetWaySP4 will be set in the DHCP mode. The IP address will be assigned by the router when the NetWaySP4 is connected to the network. It is recommended to have the assigned IP Address reserved to ensure continued access (see the network administrator).
- B. Subnet Mask: When operating in DHCP, the router will assign the subnet mask values.
- C. Gateway: Enter the TCP/IP gateway of the network access point (router) being used.
- D. HTTP Port: Enter the HTTP port number assigned to the NetWaySP4 module by the network administrator to allow remote access and monitoring. The default inbound port setting is 80. HTTP is not encrypted and insecure. Even though HTTP can be used for remote access, it is recommended primarily for use with LAN connections.

## **Secure Network Setup (HTTPS):**

In order to setup HTTPS for a Secure Network Connection, a Valid Certificate and Key must be used. Certificates and Key should be in a “.PEM” format. Self Certifications should only be used for testing purposes as no actual authentication is being performed. In a Self-Certified mode, the connection will still state that it is insecure. How to upload Certificate and Key to setup HTTPS:

1. Open Tab Labeled “Security”
2. Select Tab Labeled “Email/SSL”
3. Scroll to bottom under “SSL Settings”
4. Click “Select Certificate”
5. Browse and select valid Certificate to upload from server
6. Click “Select Key”
7. Browse and select valid Key to upload from server
8. Click “Submit Files”

Once the Certificate and Key is uploaded successfully you can proceed with setting up HTTPS in Network Settings.

- A. HTTPS Port: Enter the HTTPS port number assigned to the NetWay Spectrum module by the network administrator to allow remote access and monitoring. The default inbound port setting is 443. Being encrypted and more secure, HTTPS is highly recommended for remote access.
- B. Click the button labeled **Submit Network Settings**.  
A dialog box will display “New network settings will take effect after the server is rebooted”. Click **OK**.

## VLans

VLans (Virtual Local Area Networks) are a subnetwork that allow for the grouping together of devices for improved network traffic as well as providing higher security by allowing greater control over which devices have access to each other. It is important to plan how you will setup your devices for each vLan.

### Configuring vLan on the Altronix NetwaySP4 series switch:

1. Ensure Laptop or PC being used to program the vLan settings is on a port that will be assigned to your first vLan configuration. By default the management portion of the software is assigned to vLan-1, **CAUTION:** Changing VID=1, the industry standard VLAN HOST address to any other VID address should be done with caution and performed only locally, since the change will drop the original HOST connection. Local access then facilitates a physical reconnection to respective port.  
**Note:** Only this vLan network allows access to IP management.
2. In Network Section click on vLan Tab.
3. Click Add vLan.
4. Enter a name for the vLan.
5. Enter a vLan ID, i.e. 10, 20, etc. Ensure this vLan ID is associated with a vLan setup on the main switch and that your Laptop or PC being used for programming is on this same ID.  
**Note:** vLan ID could be any value 2-4094.
6. Assign vLan QOS (Quality of Service) priority. 0 = Lowest and 7 = Highest
7. Pick a Trunk port (Tagged Ports). Trunk ports are typically the main connection for network traffic for each group. They are usually connected to a network switch, WAPs, etc.
8. Pick the Access port(s) (Untagged Ports) associated with the vLan. Access Ports are typically used for Cameras, etc. If programming locally, ensure your laptop or PC is connected to one of these ports.
9. Save Configuration.
10. Repeat steps 2 - 9 to add another vLan.  
If unit is accidentally programmed incorrectly and you cannot get into the NetwaySP8 series programming, physically moving ports of your PC connected to the main switch to a correct port (when being programmed remotely), or, as a last resort, completing a factory reset locally and reprogramming the unit.
11. **Advanced Port Settings:**  
Unknown VID Packet Forwarding Configuration:  
On ingress unknown VID, Forward to a fixed set of ports. By default no forwarding is set.  
Configuration on Ingress Untagged Traffic:  
Trunk Port action for ingress UNTAGGED packets. By default do not drop packets.  
Keep Tag on Egress:  
Select if you want ACCESS Port to keep the vLan tag when sending egress packets.  
By default tags are stripped.  
Preferred VLAN Forwarding:  
For ACCESS Ports that belong to more than one vLan. Select preferred vLan to forward UNTAGGED ingress packets. By default preferred vLan is the last vLan created.

### Factory Reset Option:

1. Power the unit down. Allow approximately 30 seconds for the unit to power down completely.
2. Depress Factory Reset button on NetWaySP4B while reapplying power to the unit (Fig. 3, pg. 7; Fig. 5c, pg. 9). Continue holding the button until the LEDs on board go through the start up cycle, then release the button.
3. The unit returns to the original factory settings.

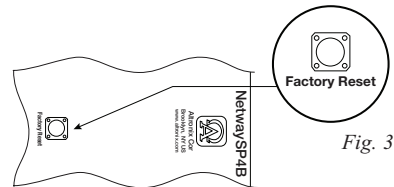


Fig. 3

# Typical Vlan Setup:

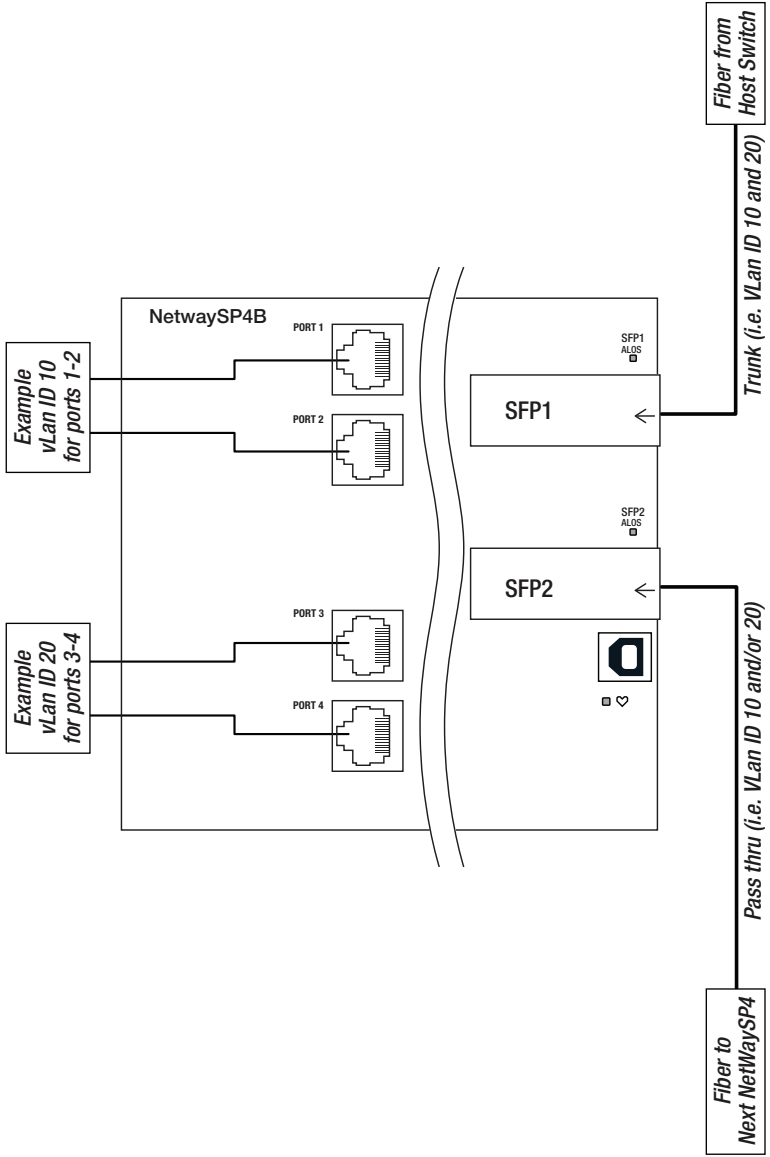


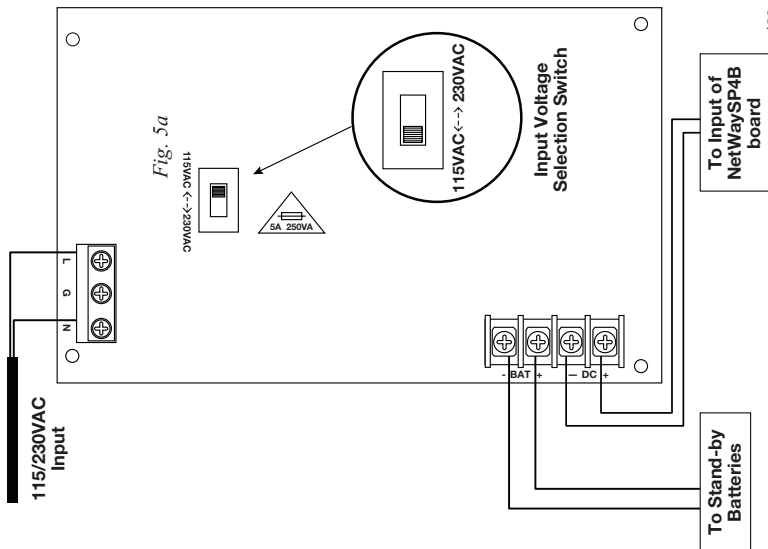
Fig. 4



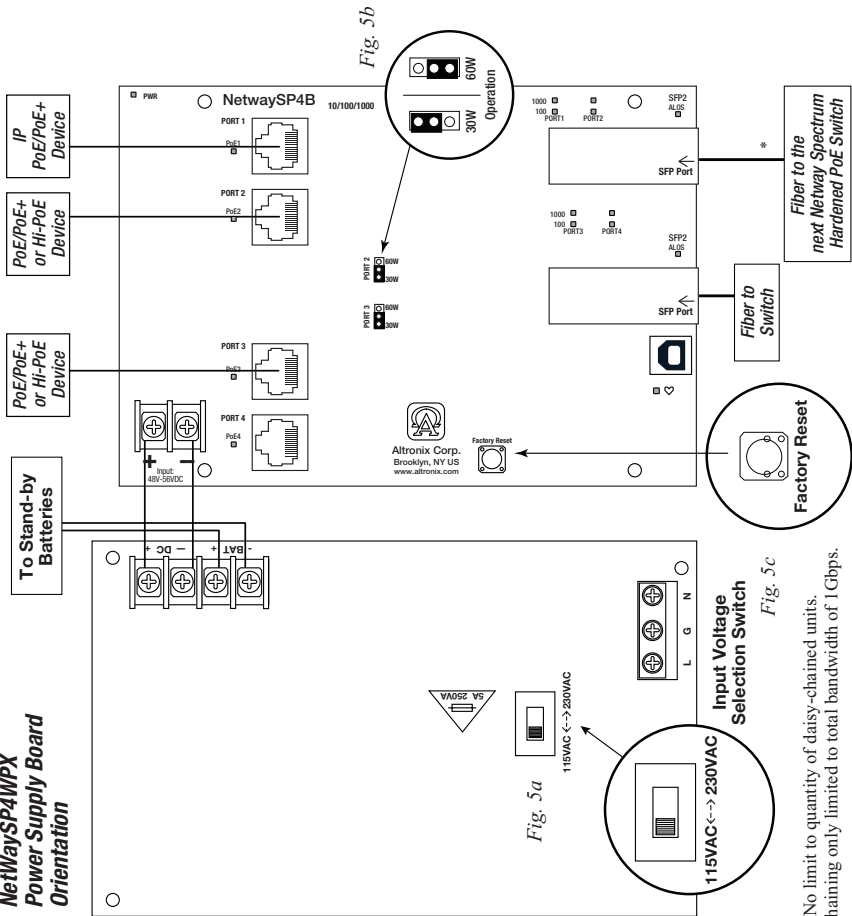
**Typical Applications:**

Fig. 5

**NetWaySP4X - Power Supply Board Orientation**



**NetWaySP4MP and NetWaySP4WPX Power Supply Board Orientation**



\*Note: No limit to quantity of daisy-chained units. Daisy chaining only limited to total bandwidth of 1 Gbps.

# Typical Applications:

## NetWaySP4WPN – Typical Application with Composite Cable

Power Distance Chart

Power Requirements	Power Cabling	Maximum Distance (ft./m)
15W	12/2	11,162' / 3403m
30W	12/2	5,581' / 1702m
45W	12/2	3,767' / 1,148m
60W	12/2	2,739' / 835m
75W	12/2	2,249' / 686m
90W	12/2	1,872' / 571m
105W	12/2	1,607' / 490m
120W	12/2	1,408' / 429m
15W	16/2	4,415' / 1,346m
30W	16/2	2,207' / 673m
45W	16/2	1,490' / 454m
60W	16/2	1,083' / 330m
75W	16/2	889' / 271m
90W	16/2	740' / 226m
105W	16/2	635' / 194m
120W	16/2	557' / 170m

Estimated distances based on starting voltage of 56VDC and accounts for a 10 volt drop. All distances are per IEEE 802.3at standard for device power requirements of minimum 44VDC and leave an approximate 2 volts for safety and flexibility.

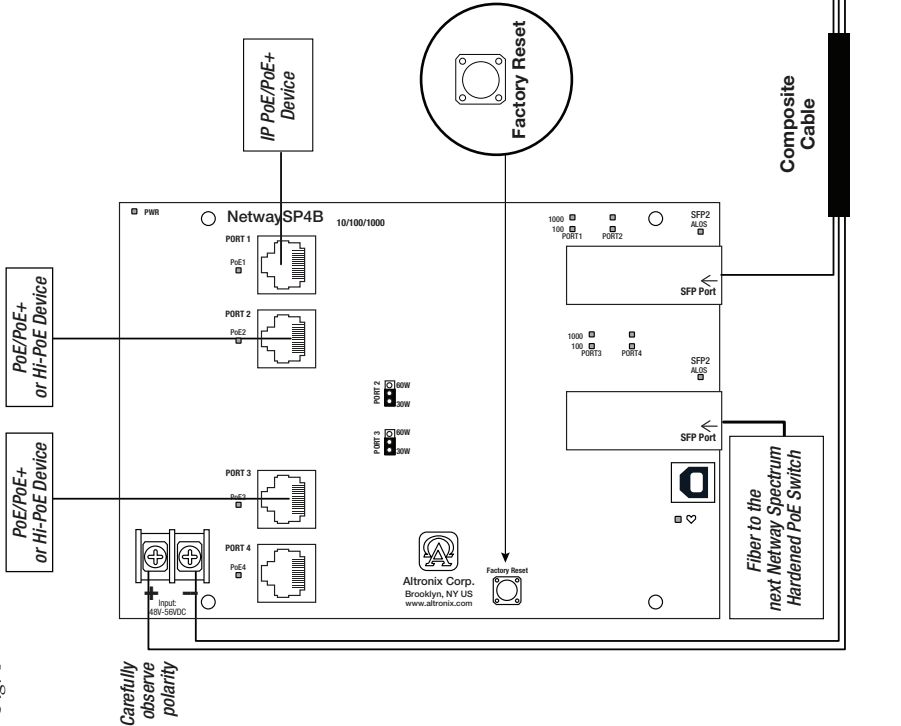
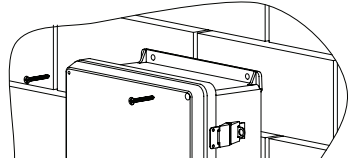


Fig. 6

## Wall Mount Installation

- 1- Place unit at desired location and secure with mounting screws (not included) (Fig. 7, pg. 11).

Fig. 7



## Pole Mounting Using Optional Pole Mount Kit PMK1 (NetWaySP4WP and NetWaySP4WPN) or PMK2 (NetWaySP4WPX):

This installation should be made by qualified service personnel. This product contains no serviceable parts. PMK1 and PMK2 outdoor pole mount kits are designed to simplify the installation of Altronix outdoor rated power supplies and accessories housed in models WP1, WP2, WP3 and WP4 NEMA rated enclosures. PMK1 and PMK2 can be mounted on 2" to 8" (50.8mm to 203.2mm) diameter round or 5" (127mm) square poles. Brackets are designed for use with the Wormgear Quick Release Straps (two included).

1. Thread one (1) wormgear quick release strap through the slots on the back of a mounting bracket (Fig. 8, pg. 11).
2. Once the desired height of the top Pole Mount bracket is achieved, tighten the straps down by sliding open end of the strap through the locking mechanism on the strap, then tighten the screw with flat head screwdriver or 5/16" hex socket driver (Fig. 9, pg. 11 and Fig. 10, pg. 11).

Fig. 8

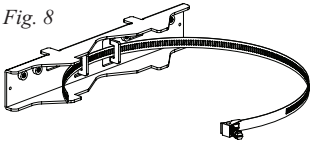


Fig. 9

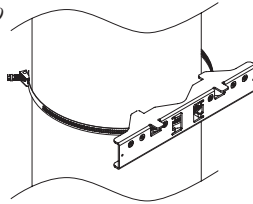
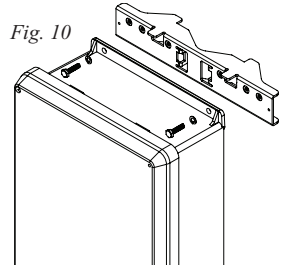


Fig. 10



3. Attach the bottom bracket to the enclosure by inserting bolts through the flange of the enclosure and into the bracket, tightening bolts with a 7/16" hex socket (Fig. 11, pg. 11).
4. Thread the second wormgear quick release strap through the slots on the back of the bottom mounting bracket (Fig. 9, pg. 11).
5. Mount enclosure onto the top bracket by inserting bolts through flange of the enclosure and into the bracket, tightening bolts with a 7/16" hex socket (Fig. 11, pg. 11).
6. Tighten the straps of the bottom bracket down by sliding the open end of the strap through the locking mechanism on the strap, then tighten screw with flat head screwdriver or 5/16" hex socket driver (Fig. 11/11a, pg. 11).
7. Clip excess straps.

Fig. 11  
2" to 8" (50.8mm to 203.2mm)  
diameter round pole

Fig. 11a  
5" (127mm) square pole  
diameter round pole

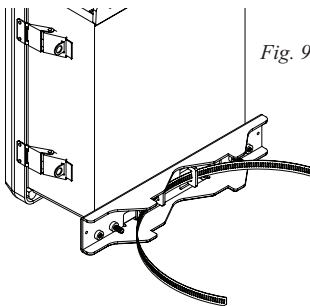
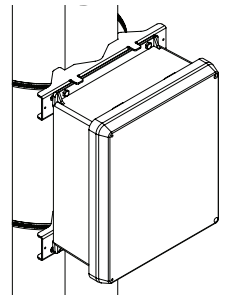
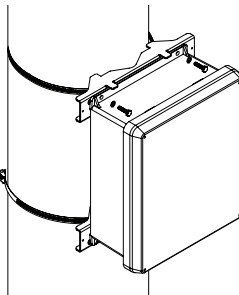


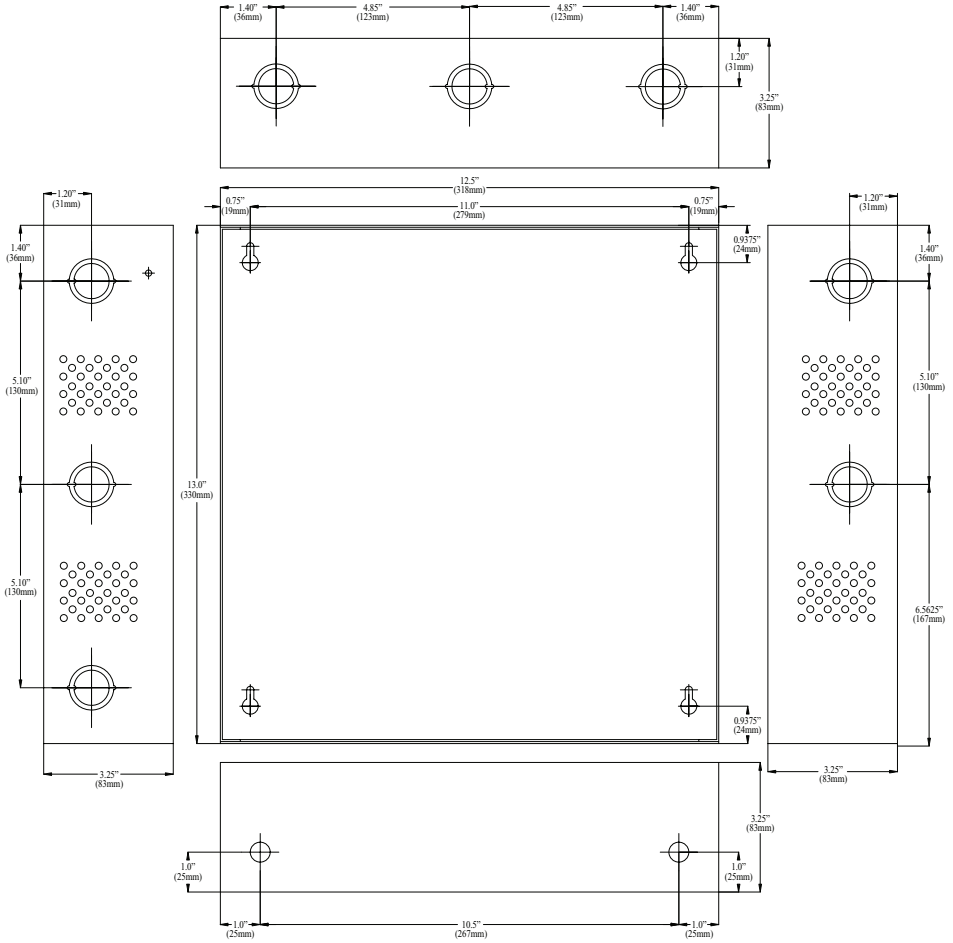
Fig. 9



# NetWaySP4X

## Mechanical Drawing and Dimensions (H x W x D approx.):

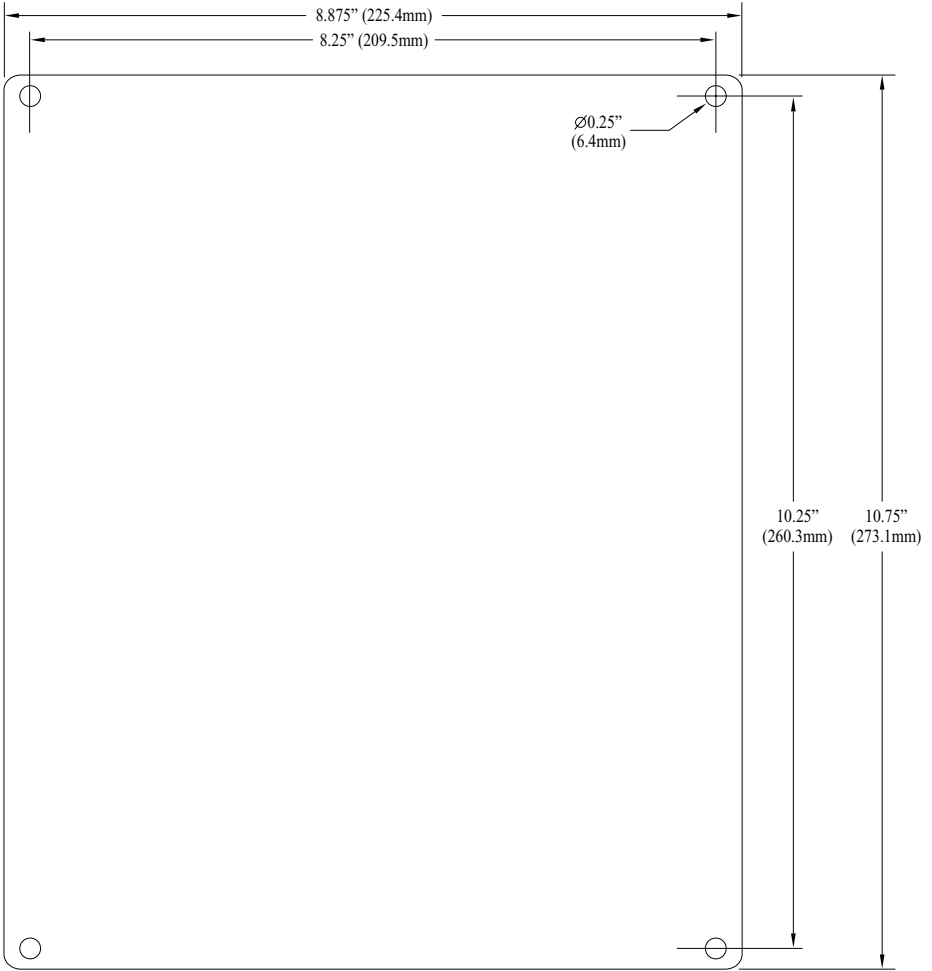
13.5" x 13" x 3.25" (342.9mm x 330.2mm x 82.6mm)



# NetWaySP4PL

## Mechanical Drawing and Dimensions (H x W x D approx.):

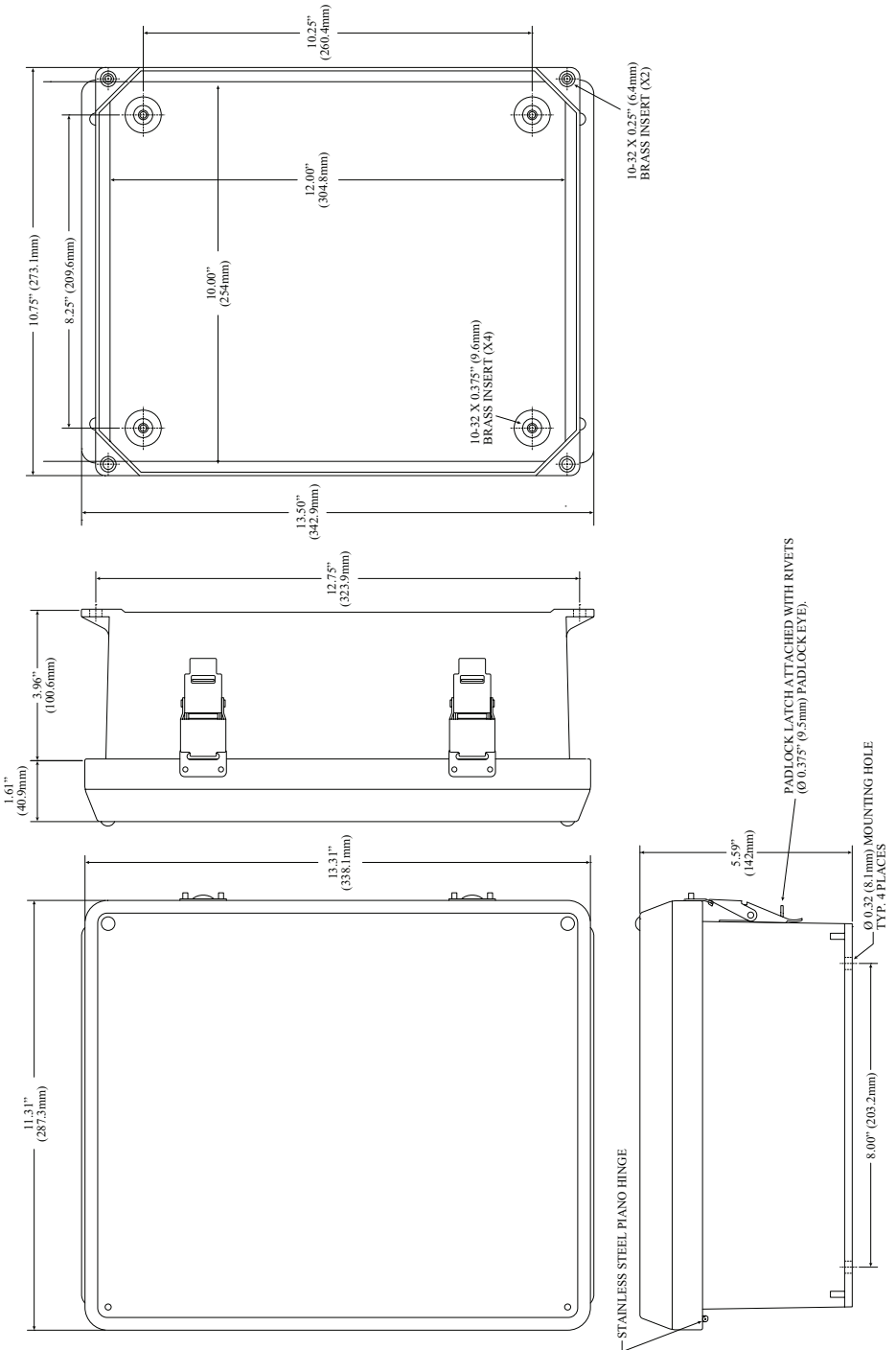
10.75" x 8.875" x 2.375" (273.1mm x 225.4mm x 60.3mm)



# NetWaySP4WP and NetWaySP4WPN

## Mechanical Drawing and Dimensions (H x W x D approx.):

13.31" x 11.31" x 5.59" (338.1mm x 287.3mm x 142mm)

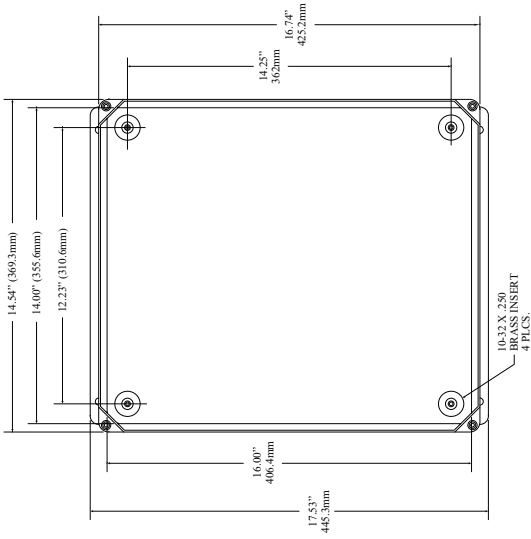


# NetWaySP4WPX

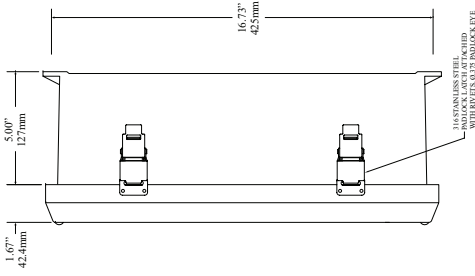
## Mechanical Drawing and Dimensions (H x W x D approx.):

17.53" x 15.3" x 6.67" (445.3mm x 388.6mm x 169.4mm)

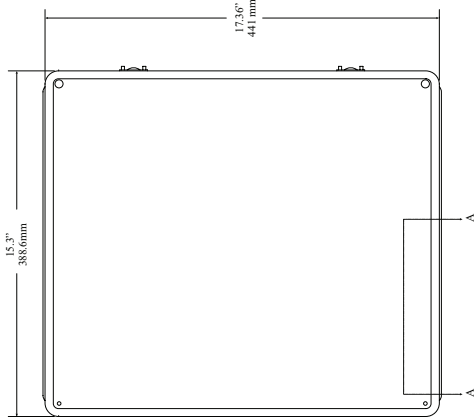
FRONT VIEW COVER REMOVED



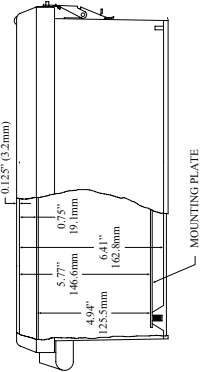
RIGHT SIDE VIEW



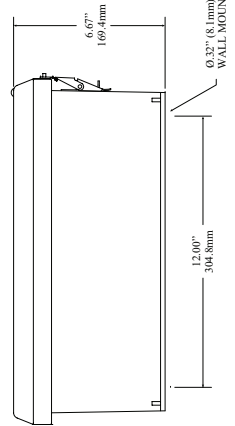
FRONT VIEW



SECTION A-A



END VIEW



## **Notes:**

Altronix is not responsible for any typographical errors.

140 58th Street, Brooklyn, New York 11220 USA | phone: 718-567-8181 | fax: 718-567-9056  
website: [www.altronix.com](http://www.altronix.com) | e-mail: [info@altronix.com](mailto:info@altronix.com) | Lifetime Warranty | Made in U.S.A.  
INetWaySP4 Series A02T

