

NetWaySP8WPX

8-port PoE+ Outdoor Hardened Switch

Description

Altronix NetWaySP8WPX PoE+ Outdoor Hardened Switch provides two (2) 1Gb SFP (Fiber) ports and eight (8) PoE+ (30W) or two (2) Hi-PoE (60W) ports, passing data for PoE/PoE+/Hi-PoE compliant devices. Cameras/edge devices may be located up to 100m from the unit. Embedded LINQ Technology allows you to monitor, control, and report power and diagnostics from anywhere.



NetWaySP8WPX

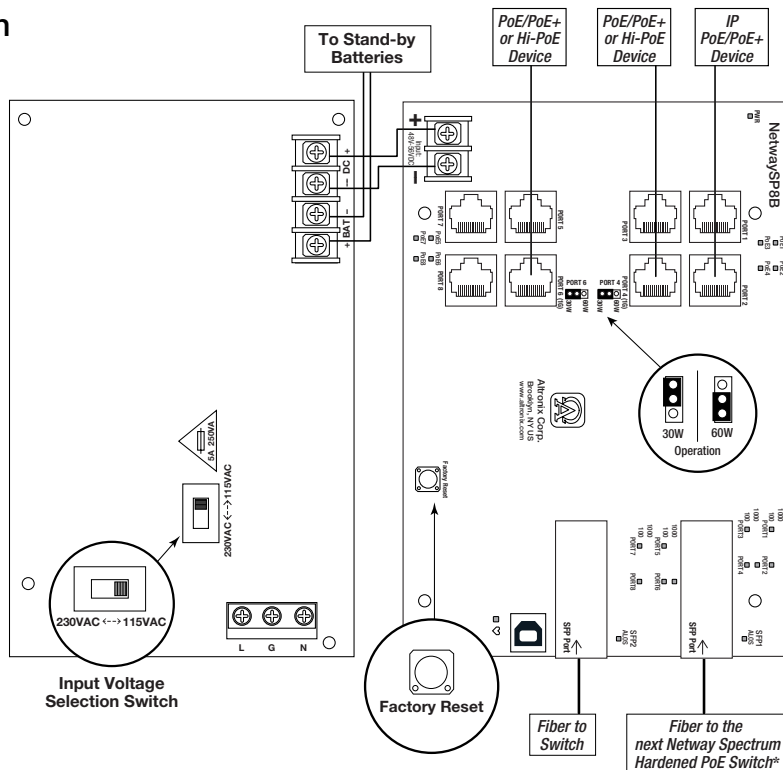
Key Features

- Two (2) Gigabit SFP ports.
- 115W total power:
 - Eight (8) PoE/PoE+ (up to 30W) ports or two (2) Hi-PoE (60W) ports.
- Two (2) 10/100/1000 Mbps ports.
- Six (6) 10/100 Mbps ports.
- IEEE 802.3at (30W), IEEE 802.3af (15W) compliant, or Hi-PoE (60W).
- PoE activity LED indicators.
- Automatic switch over to stand-by battery when AC fails.
- VLAN (Virtual Local Area Networks) subnetwork allows for the grouping together of devices for improved network traffic and higher security.
- UL Listed in the U.S. and Canada.
- CE Approved.
- Lifetime Warranty / Made in the U.S.A.

Similar products:

- NetWaySP8WP - 8-port PoE+ Outdoor Hardened Switch in NEMA 4/4X, IP66-11 enclosure.
- NetWaySP8WPN - 8-port PoE+ Outdoor Hardened Switch only in NEMA 4/4X, IP66-11 enclosure.
- NetWaySP8X - 8-port PoE+ Indoor Hardened Switch.
- NetWaySP8PL - 8-port PoE+ Hardened Switch on Backplane.
- NetWaySP8B - 8-port PoE+ Switch board only.

Typical Application



NetWaySP8WPX

8-port PoE+ Outdoor Hardened Switch

Specifications

Input
Voltage 115VAC, 60Hz, 2.5A or 230VAC, 50/60Hz, 1.3A.
Fusing 5A/250V.

Power Output
Maximum Power Eight (8) PoE+ (30W) ports or two (2) Hi-PoE (60W) ports. IEEE 802.3at (30W) and IEEE 802.3af (15W) compliant. 115W total power. Integral surge protection.

Fiber Ports: Two (2) Gigabit SFP ports.

Ethernet Ports: Six (6) 10/100 Mbps and two (2) 10/100/1000 Mbps ports. Connectivity: RJ45, auto-crossover. Wire type: 4-pair CAT5 or better structured cable. Distance: up to 100m. Speed: 10/100/1000 Mbps, half/full duplex, auto negotiation.

Back-up Battery (not included)
Type Sealed lead acid or gel type.
Failover Upon AC loss, instantaneous.

Indicators (LED)
 Individual PoE On LEDs for each port.
 Individual IP Link status, 10/100Base-T/active LEDs for each port.
 ALOS LED indicates fiber connection for SFP port.
 Heartbeat LED indicates proper operation of the unit.

VLAN:
 Multiple management VLAN assignment.
 802.1Q Tagged VLAN. Up to 10 VLAN groups. ID Range 2-4095.

LINQ Technology:
 Remote network management allows for camera/device reset and monitoring. Provides local and/or remote access to critical information via LAN/WAN. Email and Windows Dashboard Alert notifications report real-time diagnostics. Event log tracks history.

Agency Listings
UL/cUL UL60950-1 (Information Technology Equipment). UL60950-22 (Information Technology Equipment to be installed Outdoors).
CE European Conformity.

Physical and Environmental
Enclosure Dimensions (H x W x D approx.): 17.53" x 15.3" x 6.67" (445.3mm x 388.6mm x 169.4mm). NEMA 4/4X, IP66-11 Rated enclosure for outdoor use. Accommodates four (4) 12VDC/4AH batteries (48V of backup).

Product Weight / Shipping (approx.)
Product Weight: 15 lb. (6.8 kg).
Shipping Weight: 17.5 lb. (7.9 kg).

Temperature
Operating: 60W: -40°C to 75°C (-40°F to 167°F). 75W: -40°C to 70°C (-40°F to 158°F). 100W: -40°C to 55°C (-40°F to 131°F). 115W: -40°C to 45°C (-40°F to 113°F).
Storage: -40°C to 85°C (-40°F to 185°F).

Relative Humidity: 85% +/-5%
BTU/Hr. (approx.): 61 BTU/Hr.
Operating Altitude: -304.8 to 2,000m.

Accessories



PMK2 - Pole Mount Kit (order separately)
 PMK2 pole mount kit is designed to simplify installation of outdoor units. It accommodates 2" - 8" (diameter) poles.



NetWaySP1A - Ethernet over Fiber Media Converter/Repeater
 For Applications requiring an additional SFP (Fiber) Port

NetWaySP1A PoE powered media converter/repeater converts 10/100/1000 Mbps to Fiber (1000Base-X/SX/LX).



P1MM and P1SM10 - SFP Modules
 P1MM and P1SM10 are hot-pluggable SFP fiber transceiver modules and are readily usable with all Altronix Spectrum fiber optic equipment for 1G transmission rates.

The P1MM is to be used with Multi-Mode Fiber for distances up to 550m. The P1SM10 is to be used with Single-Mode Fiber for distances up to 10km.



P1AB2K - SFP Single-Mode Transceiver Kit

P1A2K and P1B2K are hot-pluggable bi-directional single strand SFP fiber transceiver modules and are readily usable with all Altronix NetWay Spectrum fiber optic equipment for 1G transmission rates at distances up to 2km.



P1GCE - SFP Copper Transceiver
 P1GCE is a hot-pluggable SFP transceiver module and is readily usable with all Altronix NetWay Spectrum equipment for 1G transmission rates. The P1GCE is to be used with CAT5e or better copper ethernet for distances up to 100m.