

NetWay8BT

8-Port Managed 802.3bt Midspan Injector



Altronix NetWay8BT is a 8-port networked Managed Midspan in a 1U rack enclosure. It provides PoE/PoE+/Hi PoE up to 90W (802.3bt compliant) power per port, 480W total max. and passes data at 10/100/1000 Mbps at distances up to 100m. Features also include an integral battery charger for applications requiring backup and embedded LINQ™ Technology to monitor, control, and report power and diagnostics from anywhere over the network.

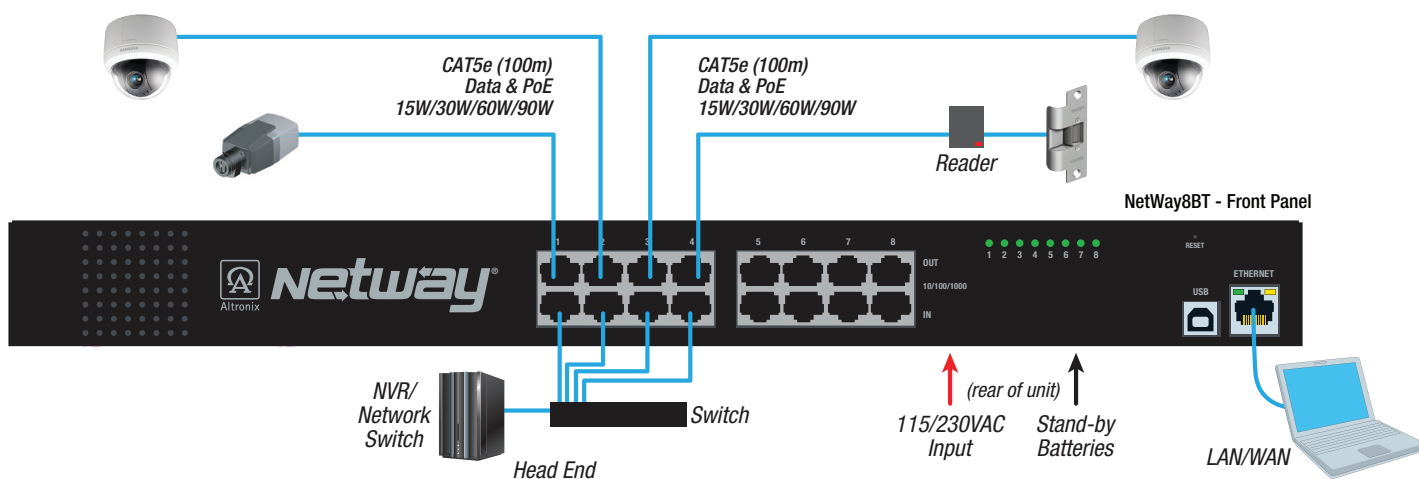


NetWay8BT

Key Features

- IEEE 802.3af (15W), IEEE 802.3at (30W) and IEEE802.3bt compliant.
- 90W maximum power per port (480W total power).
- Eight (8) ports for cameras/edge devices over ethernet.
- Speed: 10/100/1000 Mbps.
- Port status LEDs.
- Auto detection and protection of legacy non-PoE cameras/devices.
- Real-time power diagnostics with e-mail and Windows Dashboard Alert notifications.
- Local and/or remote access to critical information via LAN/WAN.
- Event Log tracks history.
- Built-in IP networked management allows for remote camera reset and monitoring.
- Built-in battery charger.
- UL Listed.
- CE Approved.
- Lifetime Warranty

Typical Application



Lifetime Warranty



NetWay8BT

8-Port Managed 802.3bt Midspan Injector

Specifications

Input

115VAC, 60Hz, 5.5A or 230VAC, 50Hz, 3A (auto-ranging)

Power Output

IEEE 802.3af, IEEE, 802.3at and IEEE802.3bt compliant.

Unit provides PoE / PoE+ / Hi PoE.

55V up to 90W full power per port.

Total power: 480W.

Short circuit protection.

Ethernet

Connectivity: RJ45, auto-crossover.

Wire type: 4-pair CAT5e or better structured cable.

Distance: up to 100m.

Speed: 10/100/1000 BaseT, half/full duplex, auto negotiation.

LINQ Technology:

Remote network management allows for camera/device reset and monitoring.

Provides local and/or remote access to critical information via LAN/WAN.

Email and Windows Dashboard Alert notifications report real-time diagnostics.

Event log tracks history.

Indicators (LED)

Yellow and Green LED (by RJ45 jack):

IP Link status, 10/100/1000 Base-T/active.

Green LED Port status.

Agency Listings

UL/cUL:

UL60950-1 Information Technology Equipment.

UL:

UL294 Access Control Systems.

CE

European Conformity.

Physical and Environmental

Dimensions (W x L x H)

1.625" x 19.125" x 8.5" (41.3mm x 486mm x 216mm).

Weight (approx.)

Product Weight: 6.4 lb. (2.9 kg).

Shipping Weight: 7.7 lb. (3.5 kg)

Temperature

Operating: -20°C to 50°C (-4°F to 122°F).

Storage: -20°C to 70°C (-4°F to 158°F).

Relative Humidity 85% +/-5%.

Operating Altitude: Up to 2,000m.

BTU/Hr. (approx.): 369 BTU/Hr.

Accessories (order separately)



NetWayXTX

NetWayXTX - Repeater

- Ethernet Extender, 1 Port, 10/100, Passes PoE/PoE+, Extends Data additional 100m.



RE2

RE2 - Rack Mount Battery Enclosure

- Accommodates up to four (4) 12VDC/7AH batteries

Lifetime Warranty