

NetWay4EX

4-port PoE+ Hardened Switch



Altronix NetWay4EX Indoor PoE+ Hardened Switch provides a 1Gb SFP port and four (4) PoE+ (30W) ports or up to two (2) Hi-PoE (60W) ports. Cameras/edge devices may be located up to 100m from the unit. Embedded LINQ Technology allows you to monitor, control, and report power and diagnostics from anywhere.



NetWay4EX

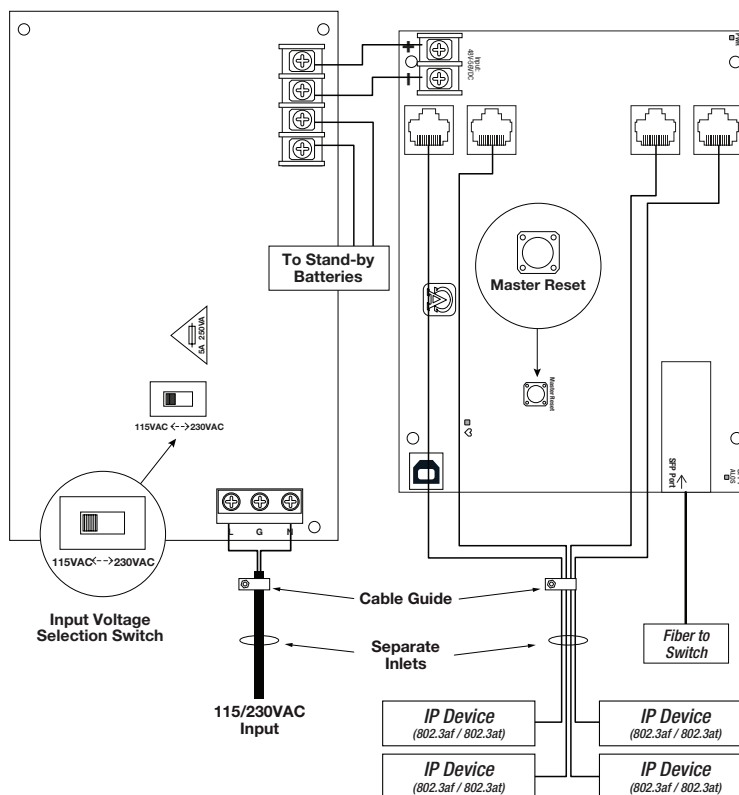
Key Features

- Four (4) 10/100/1000 Mbps PoE/PoE+ (up to 30W) ports or two (2) Hi-PoE (60W) ports.
- IEEE 802.3af (15W) and IEEE 802.3at (30W) compliant.
- 120W total power.
- One (1) Gigabit SFP port.
- Built-in charger for sealed lead acid or gel type batteries.
- Automatic switch over to stand-by battery when AC fails.
- PoE activity LED indicators.
- UL Listed in the U.S. and Canada.
- CE Approved.
- Lifetime Warranty / Made in the U.S.A.

Similar products:

- NetWay4EWPX - Outdoor 4-port PoE+ Hardened Switch in NEMA 4/4X, IP66-11 enclosure which accommodates stand-by batteries.
- NetWay4EWP - Outdoor 4-port PoE+ Hardened Switch in NEMA 4/4X, IP66-11 enclosure.
- NetWay4EWPN - Outdoor 4-port PoE+ Hardened Switch only in NEMA 4/4X, IP66-11 enclosure.
- NetWay4EPL - 4-port PoE+ Hardened Switch on Backplane.
- NetWay4EB - 4-port PoE+ Switch board only.

Typical Applications



Specifications

Input

Voltage	115VAC, 60Hz, 2.5A or 230VAC, 50/60Hz, 1.3A.
Fusing	5A/250V.

Power Output

Maximum Power	Four (4) 10/100/1000 Mbps PoE/PoE+ (up to 30W) ports or two (2) Hi-PoE (60W) ports. IEEE 802.3af (15W) and IEEE 802.3at (30W) compliant. 120W total power. Integral surge protection.
Fiber Port:	One (1) Gigabit SFP port.

Back-up Battery (not included)

Type	Sealed lead acid or gel type.
Failover	Upon AC loss, instantaneous.

Indicators (LED)

Individual PoE On LEDs for each port.
Individual IP Link status, 10/100Base-T/active LEDs for each port.
ALOS LED indicates fiber connection for SFP port.
Heartbeat LED indicates proper operation of the unit.

LINQ Technology

Remote network management allows for camera/device reset and monitoring.
Provides local and/or remote access to critical information via LAN/WAN.
Email and Windows Dashboard Alert notifications report real-time diagnostics.
Event log tracks history.

Agency Listings

UL/cUL	UL60950-1 (Information Technology Equipment).
CE	European Conformity.

Physical and Environmental

Enclosure Dimensions (H x W x D approx.):
13.5" x 13" x 3.25" (342.9mm x 330.2mm x 82.55mm)

Product Weight / Shipping (approx.)

Product Weight:	6.65 lbs. (3.02 kg).
Shipping Weight:	7.55 lbs. (3.42 kg).

Temperature

Operating (120W):	-40°C to 50°C (-40°F to 122°F).
Storage:	-30°C to 85°C (-22°F to 185°F).
Relative Humidity:	85% +/-5%
BTU/Hr. (approx.):	61 BTU/Hr.
Operating Altitude:	-304.8 to 2,000m.

Accessories



NetWaySP1A - Ethernet over Fiber Media Converter/Repeater

For Applications requiring an additional SFP (Fiber) Port

NetWaySP1A PoE powered media converter/repeater converts 10/100/1000 Mbps to Fiber (1000Base-X/SX/LX).



P1MM and P1SM10 - SFP Modules

Altronix P1MM and P1SM10 are hot-pluggable SFP fiber transceiver modules and are readily usable with all Altronix Spectrum fiber optic equipment for 1G transmission rates. The P1MM is to be used with Multi-Mode Fiber for distances up to 550m. The P1SM10 is to be used with Single-Mode Fiber for distances up to 10Km.



P1AB2K - SFP Single-Mode Transceiver Kit

P1A2K and P1B2K are hot-pluggable bi-directional single strand SFP fiber transceiver modules and are readily usable with all Altronix NetWay Spectrum fiber optic equipment for 1G transmission rates at distances up to 2km.



P1GCE - SFP Copper Transceiver

P1GCE is a hot-pluggable SFP transceiver module and is readily usable with all Altronix NetWay Spectrum equipment for 1G transmission rates. The P1GCE is to be used with CAT5e or better copper ethernet for distances up to 100m.

Lifetime Warranty / Made in the U.S.A.