

NetWay3012P

PoE+ Adapter/Converter



Altronix Netway3012P provides simultaneous 12VDC and PoE/PoE+ outputs for applications including PoE cameras and external microphones, control boards, switching equipment, and more.



NetWay3012P

Specifications

Functions

Passes PoE+ and converts PoE to 12VDC.
Speed: 10/100 Mbps.

Output

Up to PoE+.
12VDC up to 2A.
30W max combined.

Indicators (LED)

Red LED: Power ON.

Agency Listings

CE European Conformity.

Physical and Environmental

Dimensions (W x L x H)

3.8" x 2.5" x 1" (96.52mm x 63.5mm x 25.4mm).

Weight (approx.)

Product Weight: 0.2 lbs. (0.1 kg).
Shipping Weight: 0.25 lbs. (0.11 kg).

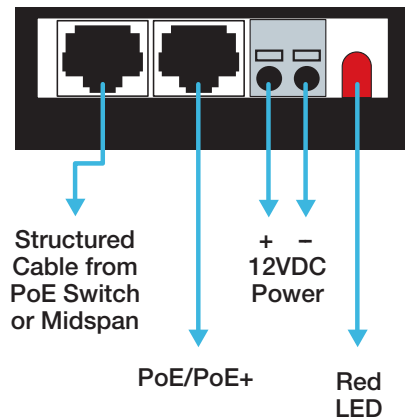
Temperature

Operating: 0°C to 50°C (32°F to 122°F).
Storage: -40°C to 70°C (-40° to 158°F).

Relative Humidity 85% +/-5%.

Operating Altitude: -304.8 to 3,048m.

Typical Application



Lifetime Warranty / Made in the U.S.A.