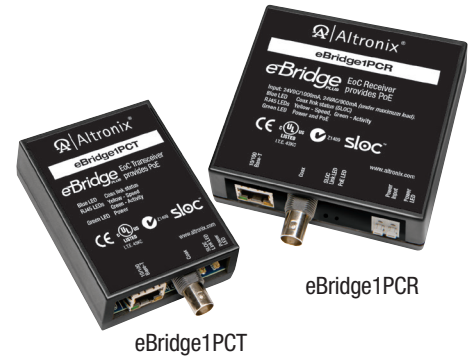


eBridge1PCRT IP and PoE over Coax Solution

Description

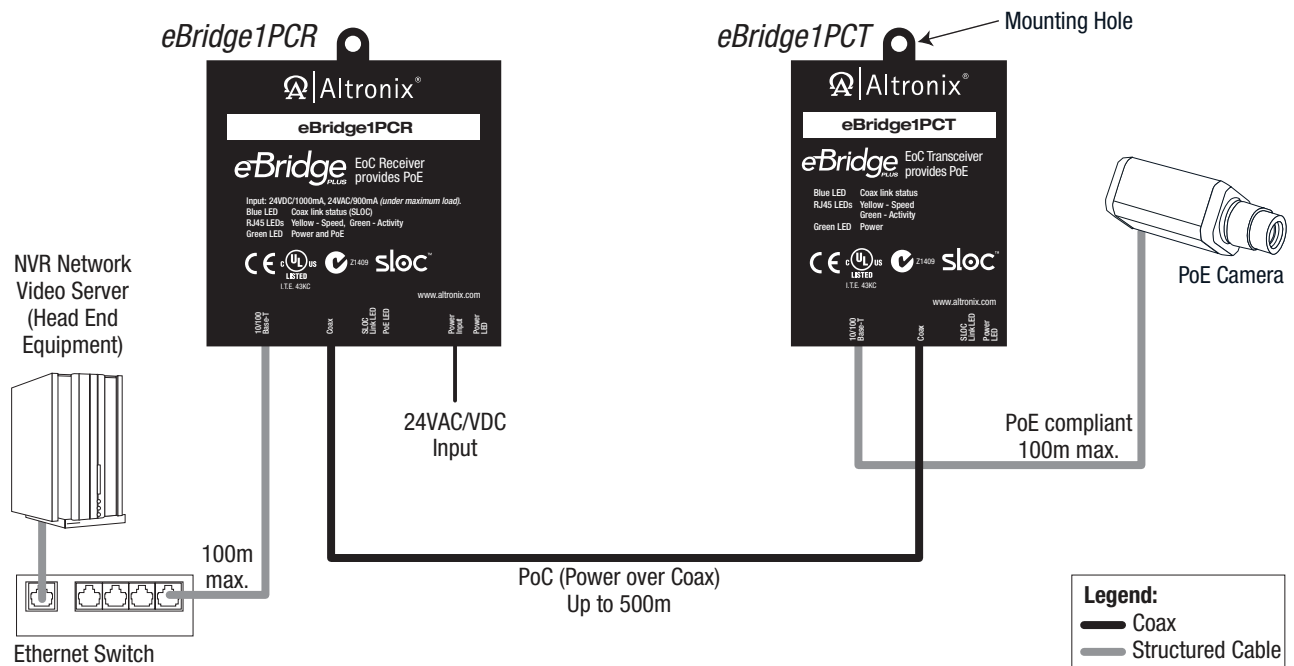
Altronix eBridge1PCRT single port EoC Receiver and hardened Transceiver kit transmits data and power over coax cable. eBridge1PCR generates PoE up the coax to eBridge1PCT transceiver. The transceiver, in turn, delivers that PoE-compliant power to an edge device/camera. This plug and play unit facilitates system upgrades from analog to IP utilizing existing legacy Coax and eliminates the costs and labor associated with installing new network cabling. Data transmission and power over the Coax is possible up to 500m in comparison to 100m Ethernet distance (CAT5e). A maximum range from headend to the edge device/camera is 700m, taking into consideration that up to 100m of structured cable may be deployed from the receiver to the network switch and the transceiver to the edge device/camera.



Key Features

- IEEE 802.3af (15W).
- Throughput is rated to pass 25Mbps at distances up to 500m.
- Eliminates the costs and labor associated with installing new network cabling.
- Retrofit digital IP cameras in an analog CCTV installation.
- Auto detection and protection of legacy non-PoE cameras/devices.
- Works with Megapixel, HD720, HD1080 & VGA (SD) cameras.
- Extends Network link distance in an industrial environment.
- Upgrades deployed CCTV Coax to a digital network for Retail, Casinos, Airports, Schools, Hospitals, etc.
- UL Listed in the U.S. and Canada.
- CE Approved,
- C-Tick compliant.
- Lifetime Warranty

Typical Operation Diagram



eBridge1PCRT IP and PoE over Coax Solution

Specifications

Input

- eBridge1PCR: 24VDC/1,000mA from Class 2 power supply or 24VAC/900mA from Class 2 plug-in transformer.
- eBridge1PCT: Powered by eBridge1PCR.

Ethernet

- Connectivity: RJ45, auto-crossover.
- Wire type: 4-pair CAT5 or better structured cable.
- Distance: up to 100m.

Coax

- Throughput is rated to pass 25Mbps of data at distances up to 500m. With proper headend equipment multiple Megapixel cameras can be used.
- Speed: 10/100BaseT, half/full duplex, auto negotiation.
- Connectivity: BNC, RG-59/U or similar.

Indicators (LED)

- eBridge1PCR:
Blue LED - Coax link connection.
Green LED: PoE ON.
Green LED: Power ON.
Yellow and Green LED (RJ45): IP Link status, 10/100Base-T/active.
- eBridge1PCT:
Blue LED: Coax link connection.
Green LED: PoE from eBridge1PCR.

Agency Listings

- UL/cUL UL 60950-1
(Information Technology Equipment).
- CE European Conformity.
- C-Tick compliant.

Physical and Environmental

Dimensions (W x L x H)

- eBridge1PCR:
3.5" x 4.375" x 1" (88.9mm x 111.1mm x 25.4mm)
- eBridge1PCT:
2.5" x 4.375" x 1" (63.5mm x 111.1mm x 25.4mm)

Weight (approx.)

- Product Weight 0.4 lbs. (0.18 kg).
- Shipping Weight 1 lbs. (0.45 kg).

Temperature

- Operating
- eBridge1PCT -40°C to 75°C (-40°F to 167°F).
- eBridge1PCR -20°C to 60°C (-4°F to 140°F).
- Storage -30°C to 75°C (-22°F to 167°F).

- Relative Humidity 85% +/-5%.

- Operating Altitude: -304.8 to 2,000m.

BTU/Hr. (eBridge1PCR, approx.):

- 24VDC: 12 BTU/Hr.
24VAC: 11 BTU/Hr.