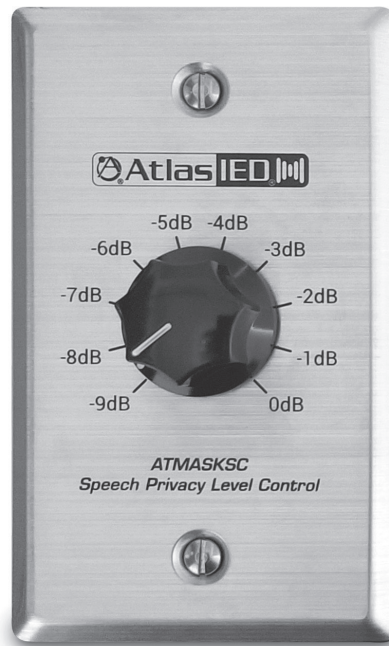


# ATMASKSC

*Precision, Plate Mounted Stepped Speech Privacy Attenuator*



## Features

- Designed to be Used with M1000A35
- 1dB Steps for Precision Sound Masking Settings
- 2 or 3 Conductor Interface Connection
- Works with Other 10k $\Omega$  VCA 2 or 3 Conductor Systems
- Matches Stainless Steel Standard Volume Wall Plate
- Maximum Tested Distance 500 ft, 22-Gauge Wire

## Applications

- Precise Level Control of Large Sound Masking Zones

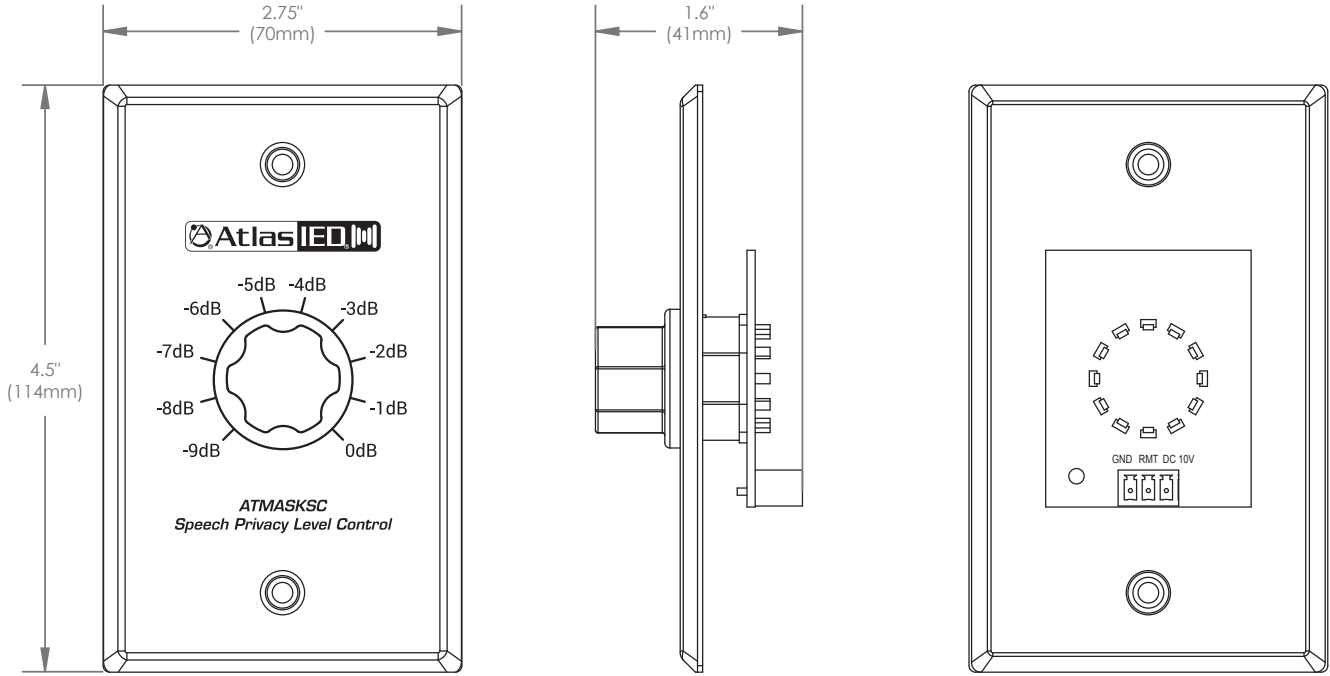
## General Description

The AtlasIED ATMASKSC is specially designed to be used with the M1000A35 Self-Contained Active Masking System where precision adjusting of level control is required. It employs a ten-position, non-shorting rotary switch without end-stop. The attenuation rate is 1dB per step from 0dB to -9dB.

<b>System</b>	
Type	Wall Plate Mounted Precision Stepped Attenuator for M1000A35
Total Attenuation	0dB to -9dB (It Does Not Turn Off the Audio)
Impedance	10k $\Omega$
<b>Mechanical</b>	
Plate Size	1-Gang
Plate Type	Stainless Steel
Product Dimensions (HxWxD)	4.5" x 2.75" x 1.6" (114mm x 70mm x 41mm)
Shipping Dimensions (HxWxD)	15.35" x 10.63" x 10.04" (390mm x 270mm x 255mm)
Net Weight - lbs	0.16 lbs (0.074 kg)
Shipping Weight - lbs	9.48 lbs (4.3 kg)
<b>Agency Approvals</b>	
North America Agency	UL2043 when used with the M1000A35

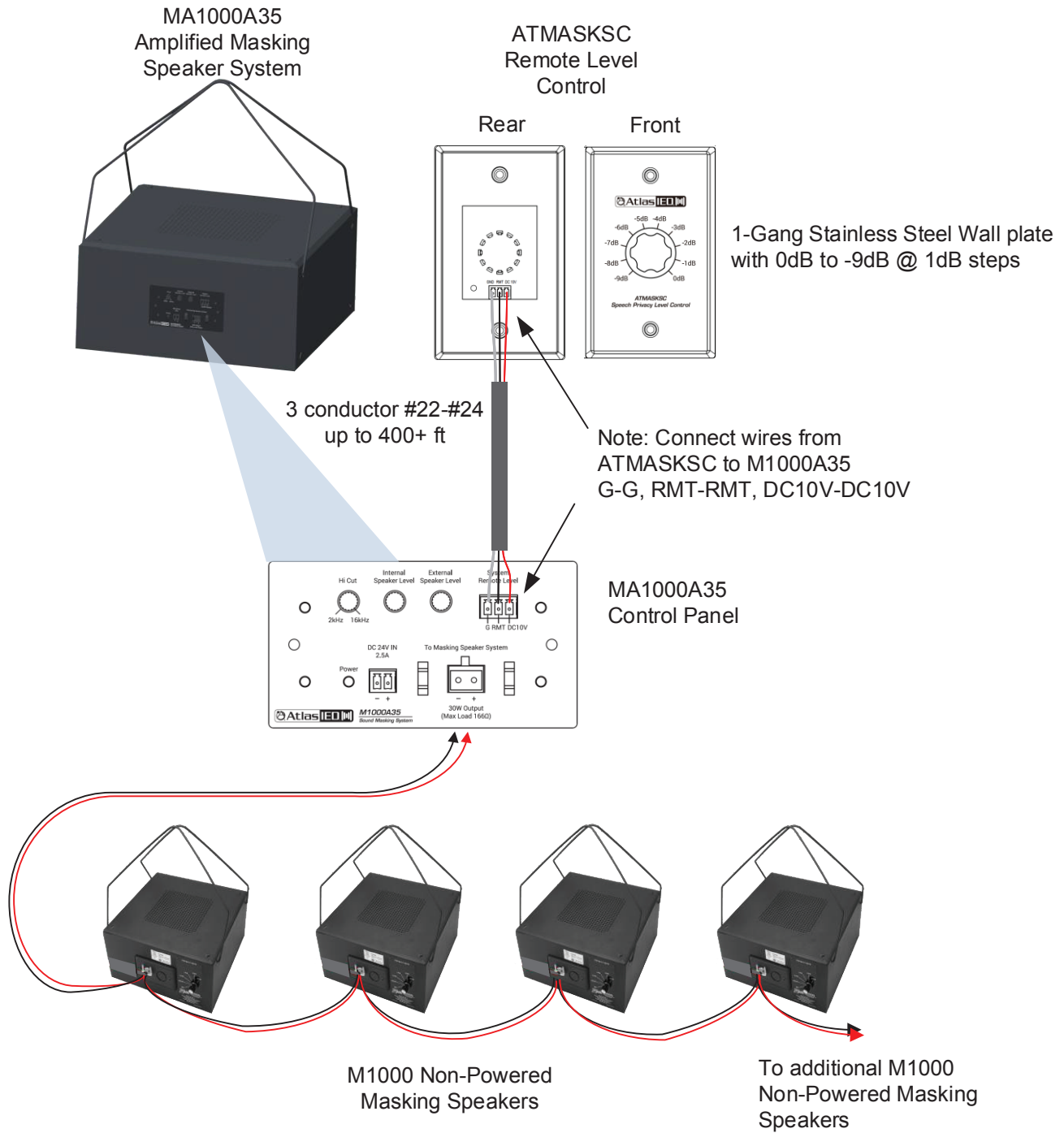
©2019 Atlas Sound LP. The Atlas "Circle A", Soundolier, and Atlas Sound are trademarks of Atlas Sound L.P. IED is a Registered Trademark of Innovative Electronic Designs LLC. All rights reserved. All other Trademarks are property of their respective owners. No endorsement is implied. Due to continual product development, specifications are subject to change without notice. ATSO06011 RevA 7/19

## Dimensional Drawings



©2019 Atlas Sound LP. The Atlas "Circle A", Soundolier, and Atlas Sound are trademarks of Atlas Sound L.P. IED is a Registered Trademark of Innovative Electronic Designs LLC. All rights reserved. All other Trademarks are property of their respective owners. No endorsement is implied. Due to continual product development, specifications are subject to change without notice. ATSO06011 RevA 7/19

## Installation Diagram



©2019 Atlas Sound LP. The Atlas "Circle A", Soundier, and Atlas Sound are trademarks of Atlas Sound L.P. IED is a Registered Trademark of Innovative Electronic Designs LLC. All rights reserved. All other Trademarks are property of their respective owners. No endorsement is implied. Due to continual product development, specifications are subject to change without notice. ATIS006011 RevA 7/19

## Architect and Engineer Specifications

Plate mounted wall attenuator shall be AtlasIED model ATMASKSC. Attenuator shall have a ten position, non-shorting rotary switch design without stops. Total attenuation shall be 0dB to -9dB with each position adjustment being 1dB. The ATMASKSC shall interface with the M1000A35 up to 400 ft apart. Attenuator shall be able to be rack mounted or wall mounted with included stainless steel, single-gang wall plate. Dimensions shall be H 4.5" x W 2.75" x D 1.626" (114mm x 70mm x 41mm).