

## SHX-52/SHX-52S DURABLE SPEAKER/ SPEAKER STROBE

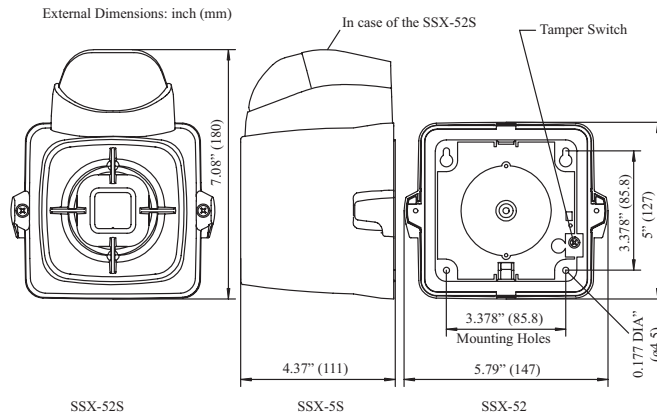


- Self-Contained Indoor/Outdoor Speaker/Speaker Strobe
- Sturdy aluminum back plate
- Strong Polycarbonate housing
- Dual tamper protection
- Frequency response range: 500-5000 Hz
- Up-front screw terminals for easy field wiring in square back box
- Mounts directly to the wall or four inch quarter backbox.
- Available strobe lens colors: Amber, Blue, Clear, Red

Patented

The SHX-52 is a patented indoor/outdoor, self-contained, 8 ohm, 15 watt speaker. The full featured speaker consists of a light weight, strong polycarbonate housing and dual-action plunger switch for tamper supervision for a normally closed loop. The speaker does not require additional modules, metal boxes, tamper switches, special tools, or training to install and operate. The SHX-52 series comes completely assembled and ready for installation. It is ideally suited for noisy, heavy, machinery areas, warehouses, loading docks, print shops, and busy production floors, or for indoor/outdoor applications where high quality and high output warning is required.

The SHX-52S Speaker Strobe is also available. It includes all of the great SHX-52 features with the addition of a colored strobe. The strobe uses a colored mirror and lens to ensure that the color can be easily distinguished and is available in amber, blue, clear, or red.



Model Number	Power Input	Tamper Contact Capacity	Strobe Specifications				Speaker Specifications			Operating Temperature Range
			Lens Color	Rated Voltage	Rated Current	Flash Rate	Sound Output	Impedance	Frequency Range	
SHX-52	15 watts	0.3A @12V DC	-	-	-	-	97dBA	8 Ohms	500-5000Hz	-4°F - 140°F -20°C - 60°C
SHX-52SA			Amber	12V DC	180 mA	60-100 times/min.				
SHX-52SB			Blue							
SHX-52SC			Clear							
SHX-52SR			Red							