

V21



- Event trigger, response and notification
- Web Client, Mobile Client

► Specifications

Device

Product Type	Video Encoder
Maximum Number of Cameras	1

PTZ

Pan, Tilt or Zoom protocol	Pelco-D, Pelco-P V2, Dynacolor
----------------------------	--------------------------------

Video

Compression	H.264 (Baseline/ Main/ High profile), MJPEG
Maximum Frame Rate vs. Resolution	30 fps at 960 x 480 25 fps at 960 x 576 30 fps at 720 x 480 25 fps at 720 x 576
Multi-Streaming	Simultaneous dual streams
Bit Rate	28Kbps - 6Mbps (per stream)
Bit Rate Mode	Constant, Variable
Image Enhancement	Brightness, Saturation, Contrast, Sharpness
Privacy Mask	4 configurable regions
Text Overlay	Yes

Server-based Analytics	Face Detection, Object Based Motion Detection, Tamper, People Counting, Object Line Crossing Detection, Object Enter Area Detection, Missing Object Detection, Unattended Object Detection, Crowd Detection, Vehicle Counting, Heat Map, Automatic License Plate Recognition, Vehicle Speed Detection, (Require PC-based or standalone IVS or ALPR Server. Contact ACTi support for recommendations on how to maximize analytical accuracy)
Image Orientation	Flip, Mirror

Audio

Audio Type	2-way, Line-in, Line-out
Audio Compression	8 kHz, Mono, PCM, 16 bit encoding, G.711

Network

Network Protocol & Service	TCP, UDP, HTTP, HTTPS, DHCP, PPPoE, RTP, RTSP, IPv4/v6, DNS, DDNS, NTP, ICMP, ARP, IGMP, SMTP, FTP, UPnP, SNMP, Bonjour, IEEE 802.1X
Ethernet Port	1 x RJ-45 connector
Security	IP address filtering, HTTPS encryption, Password protected user level, IEEE 802.1X network access control, Anonymous login

Event

Event Trigger	Video motion detection (3 regions), External device through digital input, Sound detection, Video loss, Video Recovery, Scheduler, Storage removed, Failed to write storage, System is going to reboot, System booted successfully,
Event Response	Notify control center, Go to PTZ preset point or preset tour, Change camera settings, Command other devices, E-mail notification with snapshots, Save video or snapshot to local storage, Upload video or snapshot to FTP server, Activate external device through digital output, Change motion detection profile

System

Client PC Operating System	Windows 8.1, Windows 7 SP1, Windows Server 2008 R2 SP1
Mobile Client Program	Mobile device application (ACTi Mobile Client) supports Live View, PTZ Control, Supported device(s) iPhone, Android device

Integration

Unified Solution	Fully compatible with ACTi cameras
Software Development Kit	Yes
GPS Position	Manual setting
ONVIF Compliant	Yes, Profile S
Web Browser	IE 11 (Please verify that your computer meets the minimum system requirements for Internet Explorer from Microsoft website.)

Interface

Serial Port	1, RS-485/RS-422, Terminal block
Audio Interface	1/1, Terminal block
Analog Video Input	1 X CVBS, BNC connector
Analog Video Output	1 x CVBS, BNC connector
Local Storage	MicroSD, MicroSDHC, MicroSDXC memory card slot (card not included)
Digital Input/Output	1/1

General

Power Source	DC 7-20V, PoE Class 3 (IEEE802.3af)
--------------	-------------------------------------

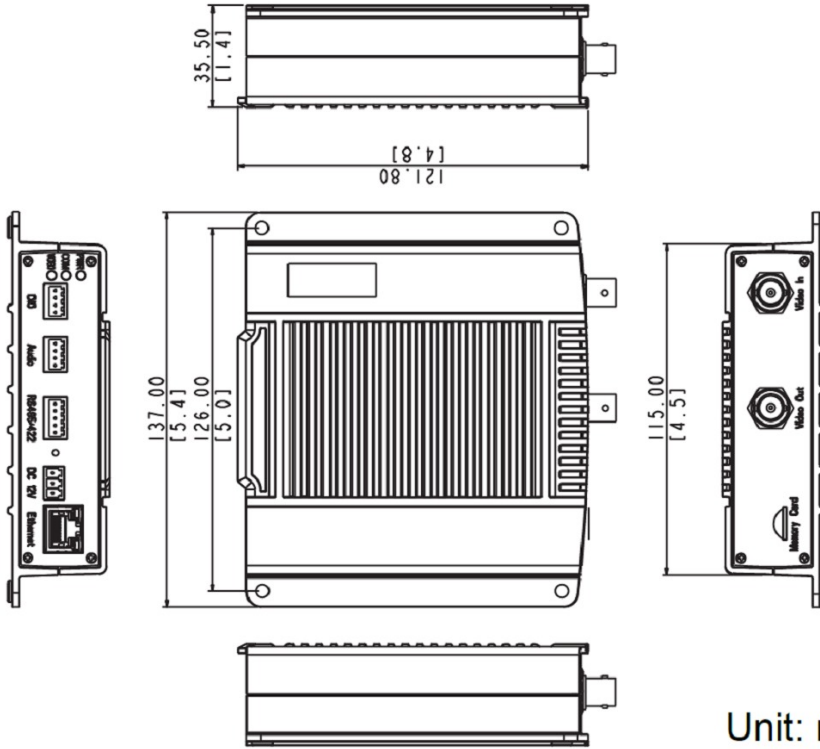
Power Consumption	3 W (DC), 3.36 W (PoE)
Weight	442g (0.977lb)
Dimensions	(W x H x D): 137mm x 35.5mm x 121.8mm (5.4" x 1.4" x 4.8")
Mount Type	Surface
Starting Temperature	-10°C ~ 50°C (14°F ~ 122°F)
Operating Temperature	-10°C ~ 50°C (14°F ~ 122°F)
Operating Humidity	10% - 85% RH
Remote Access	Web Client, Mobile Client
Approvals	CE, FCC, UL (for optional PoE injector and power adapter)
Warranty	3 Year(s). For extended warranty offering, see http://www.acti.com/support/warranty

► Photo Indication



- 1 Memory Card Slot
- 2 Analog Video Output
- 3 Analog Video Input
- 4 Power LED
- 5 Serial Port LED
- 6 Video LED
- 7 Digital Input/Output
- 8 Audio Input / Output
- 9 Serial Port Input
- 10 Reset Button
- 11 DC 12V Power Input
- 12 Ethernet Port

► Dimension Diagram



Unit: m

Unit: mm [inch]

▶ Related Products

Power Supply Accessories - Power Adapter

PPBX-0011



Power Adapter AC 100~240V, with universal connectors for all DC12V powered devices

Audio Devices - Microphone

PMIC-0100



Active Microphone Omnidirectional for all Cameras with Line-in Audio