



Features

- Provides protection for manual pull stations
- Bottom hinge allows easy access for servicing station
- Indoor/outdoor applications
- Tough UV stabilized clear polycarbonate
- Raised lettering and Braille instructions
- Meets ADA: 28 CFR Part 36



**The BETTER
Design!
Cover Pulls
Down & out
of the way:
Easy to
Install &
Operate!**



Options

- Alarm module kit to deter malicious false alarms
- NEMA 3R weatherproofing kit
- Backplate kit for rough surface mounting
- Cover extender kit

Options

Alarm Module Kit (ST-ALM01)

Deters malicious false alarms in locations such as schools, hospitals, transit facilities and other areas of mass congregation. Integral alarm module emits a piercing (104 dB ±3 dB at 1 meter) siren when cover is opened. The kit consists of an alarm module, 9V battery, a silencer key, and two mounting screws.

Weatherproofing Kit (ST-WPK01)

Includes a cover gasket and two conduit gaskets. For NEMA-3R weatherproof installation, combine Weatherproof kit with Backplate Kit (below).

Backplate Kit (ST-BKP01)

For mounting SENTRY covers to rough surfaces. The kit consists of a backplate, two screws with anchors.

Extender Kit (ST-XTR01)

Adds depth surrounding the manual pull station to cover stations with back boxes. Includes extender, two conduit block plates, and four screws with anchors.

Specifications

Specifications are subject to change without notice due to product improvements.

Dimensions

Front cover 10"h x 7-1/4"w x 1-3/4"d

Extender 10"h x 7-1/4"w x 2"d

Backplate 10-1/2"h x 8"w x 1/4"d

Approvals/Listings UL, CSFM

Application Examples

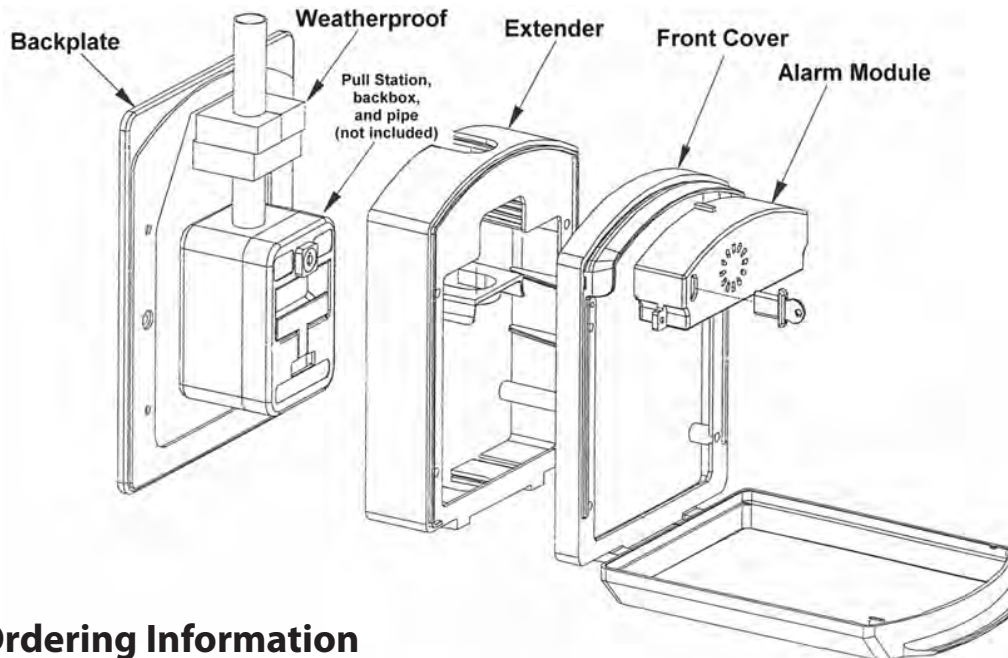
Flush ST-FRC01

Surface ST-FRC01, ST-XTR01

Rough Surface ST-FRC01, ST-XTR01, ST-BKP01

Weather Proof ST-FRC01, ST-XTR01, ST-BKP01, ST-WPK01

Alarm Module ST-ALM01; can be added to any application



Ordering Information

Description	Model
SENTRY Front Cover Kit	ST-FRC01
Alarm Module Kit	ST-ALM01
Weatherproof Kit	ST-WPK01
Backplate Kit	ST-BKP01
Extender Kit	ST-XTR01



4 Wheeling Avenue; Woburn, MA 01801
 Phone – (781) 933-0998 | Fax – (781) 933-5019
 Email – sales@sigcom.com | www.sigcom.com

©2020 Signal Communications Corporation; all rights reserved

Sentry_Display 022820b