

Conventional Pull Stations

SG Series

Advanced offers a family of die-cast, metal Conventional Pull Stations designed to meet special application requirements such as: weather alert, hazmat spills, police call, medical emergencies, door release and fire suppression. There is a series of special application labels to designate the function of the pull station for the user. There is no agency standard, outside of red for fire that dictates what color is to be used for a specific application.

The Conventional Pull Stations are available as either SG-32CXK micro-switch or SG-42CXK toggle switch versions, in single or dual action configurations. There are two sets of gold plated contacts that can be configured by the installer as either normally open or normally closed, depending on how the switch wires are connected to the terminal block which also accommodates the field wiring (#22 to 14 AWG). All models have been tested by UL and found in compliance with the pull force requirements of the Americans with Disabilities Act (ADA). SG-32/42CXK stations are key resettable.

Operation:

The Conventional Pull Stations are operated by pulling the handle marked "PULL" on the front of the unit as far down as it will go. At that point, the handle will lock in place and is easily visible from up to 50 feet. The activation handle is reset by opening the station with the key, placing the "PULL" handle to its normal upright position (resetting the toggle switch when applicable) and relocking the station. On the dual action, the "PUSH" or optional "EMERGENCY" bar moves inward allowing the "PULL" handle to be operated by a single hand.

Mounting:

Semi-Flush--All models mount on a standard single-gang backbox.

Surface Mount Interior--Use SGB-32S or the deeper metal backbox (SGB-32SD).

Surface Mount Exterior--Use SGB-32C (SG-WP) or the deeper die-cast, weatherproof back-box (SGB-32CD)



Unique Features:

- ADA Compliant
- Single or Dual Action
- Rugged Die-Cast Metal Construction
- Gold Plated Contacts
- Special Applications Color

Features:

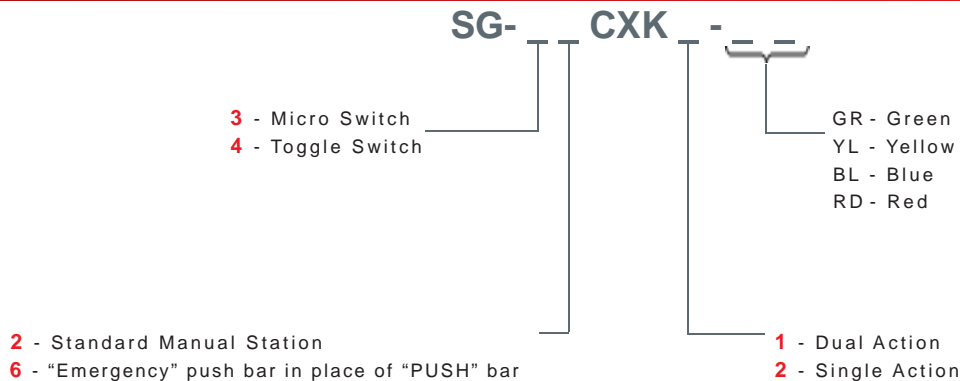
- Low Profile, High Visibility Design
- Screw Terminal Connections
- Integrated Form C Relay Contact
- Surface or Weatherproof Backbox
- Special Application Labeling (contact factory)
- Key-Lock for Reset

Listings and Approvals:

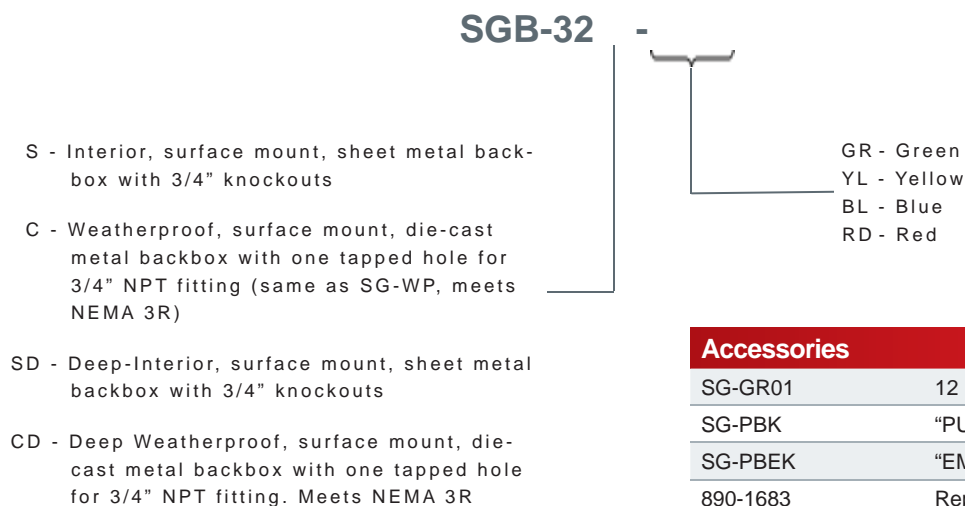
- UL 38 Listed: file UNIU.S5654
- ULC Listed: file UNIVU.S5654
- CSFM Approved: 7150-1408:0107
- NYCFD MEA 382-94-E

Ordering Information:

Conventional Pull Station



Conventional Pull Station Surface Backbox



Accessories

SG-GR01	12 Pack of Break-Rods
SG-PBK	"PUSH" Bar Kit
SG-PBEK	"EMERGENCY" Bar Kit
890-1683	Replacement Gasket for SG-WP

Manual Pull Stations Specification Details

Listings	UL, ULc, FM, CSFM, MEA
Temperature	-40°F to 150°F, 90% relative humidity @ 100°F
Switch Rating	
SG-32 Micro Switch	1 Amp @ 30VDC, 1 Amp @ 125VAC
SG-42 Toggle Switch	2 Amps @ 125 VDC, 2 Amps @ 240 VAC
Weight	1.2 lbs
Dimensions	4 3/4" H x 3 1/4" W x 1.1" D
Surface Backbox Dimensions	4 3/4" H x 3 1/4" W x 2 1/4" D (outside), 2 1/8" D (inside)
Deep Surface Backbox Dimensions	4 3/4" H x 3 1/4" W x 2 3/4" D (outside), 2 5/8" D (inside)
Color	Red, Blue, Yellow or Green with indented spaces to apply special application labels and white "PULL" (single action) or "PUSH" bar (dual action) with raised red letters



Advanced Fire Systems Inc
100 South Street, Hopkinton, MA 01748

Tel: (508) 435-9995
Fax: (508) 435-9990
Email: usa@advancedco.com
Web: www.advancedco.com

As our policy is one of constant product improvement the right is therefore reserved to modify product specifications without prior notice.