

SG-32/42SK Series Die-Cast Metal Manual Pull Stations



Single Action



Dual Action

Description

The SG-32SK and SG-42SK Series are single contact, key-reset, manual pull stations designed to meet the requirements for many applications. They are constructed from a rugged, but lightweight, die-cast metal alloy for increased performance and longevity. This series of stations is available in single action (PULL lever) or dual action (PUSH bar and PULL lever) models.

The series of stations represented on this data sheet (SG-32SK or SG-42SK) are provided with one normally open contact connected to a terminal strip that can accommodate wiring from #22 to #12 AWG. (See *Spectrum data sheet for additional contacts*). Contacts are gold plated to minimize risk of corrosion. All models have been tested by UL and found in compliance with the pull force requirements of the Americans with Disabilities Act (ADA).

Operation

The stations are operated by pulling the handle marked "PULL" on the front of the unit as far down as it will go. At that point, the handle will lock in place and is easily visible from up to 50 feet. The activation handle is reset by opening the station with the key, placing the "PULL" handle to its normal upright position (resetting the toggle switch when applicable) and relocking the station. On the dual action, the "PUSH" or optional "EMERGENCY" bar moves inward allowing the "PULL" handle to be operated by a single hand.

Mounting Configurations

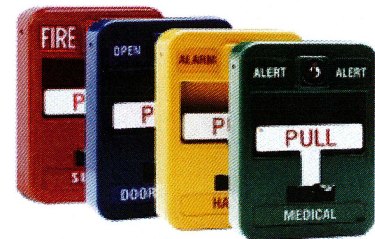
Semi-Flush--All models mount on a standard single-gang back-box.

Surface Mount Interior--Use SigCom SGB-32S or the deeper metal back-box (SGB-32SD).

Surface Mount Exterior--Use SigCom SGB-32C (SG-WP) or the deeper die-cast, weatherproof back-box (SGB-32CD)

Features

- Single or Dual Action
- Screw Terminal Connections
- DC and AC Voltage Contact Ratings
- Gold Plated Alarm Contacts
- Surface or Weatherproof Back-box
- Deeper Back-boxes available to provide more space for wire and/or addressable module.
- Optional Station Colors, Labels & Contacts. (See Spectrum data sheet)



Signal Communications Corporation



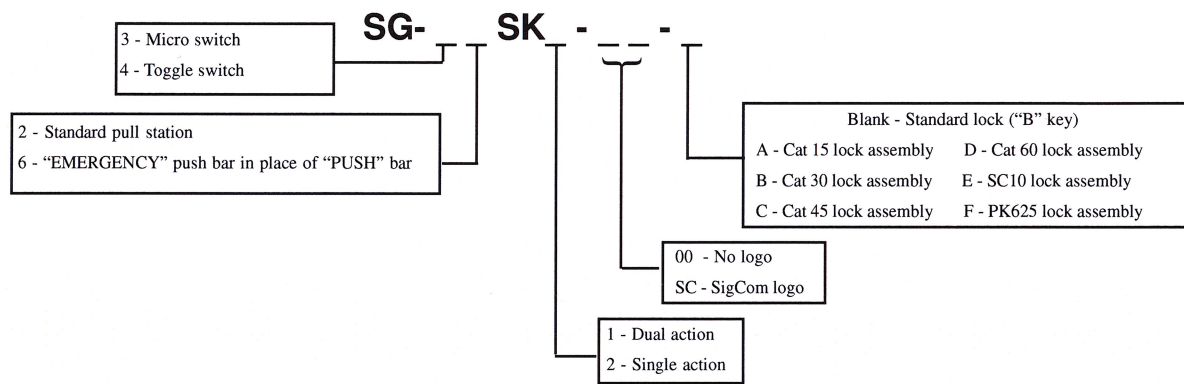
MEA
NYC Approved



Specifications

Listings:	UL, ULc, FM, CSFM, MEA
Temperature:	-40° to 150°F, 90% relative humidity @ 100°F
Switch Rating:	
SG-32 - Micro switch	1 Amp @ 30 VDC, 1Amp @ 125 VAC
SG-42 - Toggle switch	2 Amps @ 125 VDC, 2 Amps @ 240 VAC
Pull Station Weight:	1.2 lbs
Pull Station Dimensions:	4 3/4" h x 3 1/4" w x 1.1" d
Surface-Mount Backbox Dimensions:	4 3/4" h x 3 1/4" w x 2 1/4" d (outside); 2 1/8" d (inside) cast and sheet metal
Deep Surface-Mount Backbox Dimensions:	4 3/4" h x 3 1/4" w x 2 3/4" d (outside); 2 5/8" d (inside) cast and sheet metal
Color:	Red with raised white letters, white "PULL" bar and white "PUSH" bar (Dual Action) with raised red letters

Ordering Information



Example: SG-32SK2-SC = Micro switch, standard, single action, SigCom logo with standard "B" key lock

Note: All stations are supplied with one break-rod, one key and installation instructions

Accessories

SGB-32S	Interior, red, surface mount, sheet metal backbox
SGB-32SD	Deep-Interior, red, surface mount, sheet metal backbox
SG-WP	Weatherproof, red, surface mount, die-cast metal backbox
SGB-32CD	Deep Weatherproof, red, surface mount, die-cast metal backbox
SG-GR01	12 pack of scored, plastic (acrylic) break-rods for spares or replacement

Alternative Colors, Labels & Contacts

See Spectrum Series data sheet



New York City

For New York City MEA listed stations, see NYC Stations data sheet



Signal Communications Corporation