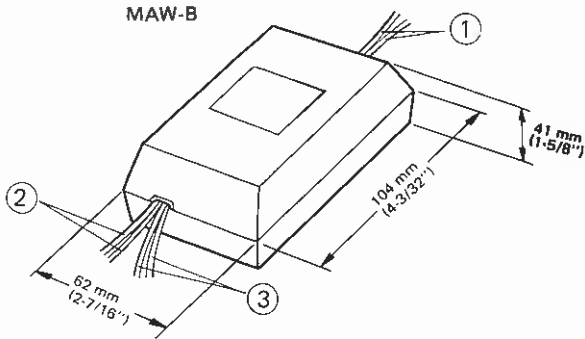


# RELAY BOX FOR ADDITIONAL LIGHT

**MODEL:MAW-B**

MAW-B RELAY IS DESIGNED TO TURN ON EXTERNAL LIGHT IN AIPHONE VIDEO INTERCOME SYSTEMS: MA-1A AND MA-4U WITH MA-DC DOOR STATION.

**—INSTRUCTIONS—**



**NAMES AND FUNCTIONS**

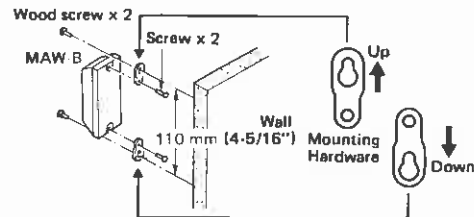
- ① Orange wires: Connect to switch for additional light.
- ② White and blue wires: Connect to **B** and **E** wires on MA-1A or MA-4U master room station (polarized).
- ③ Red and black wires: Connect red wire to plus (+) terminal and black wire to minus (-) terminal on PS-24M power supply.

**SPECIFICATIONS**

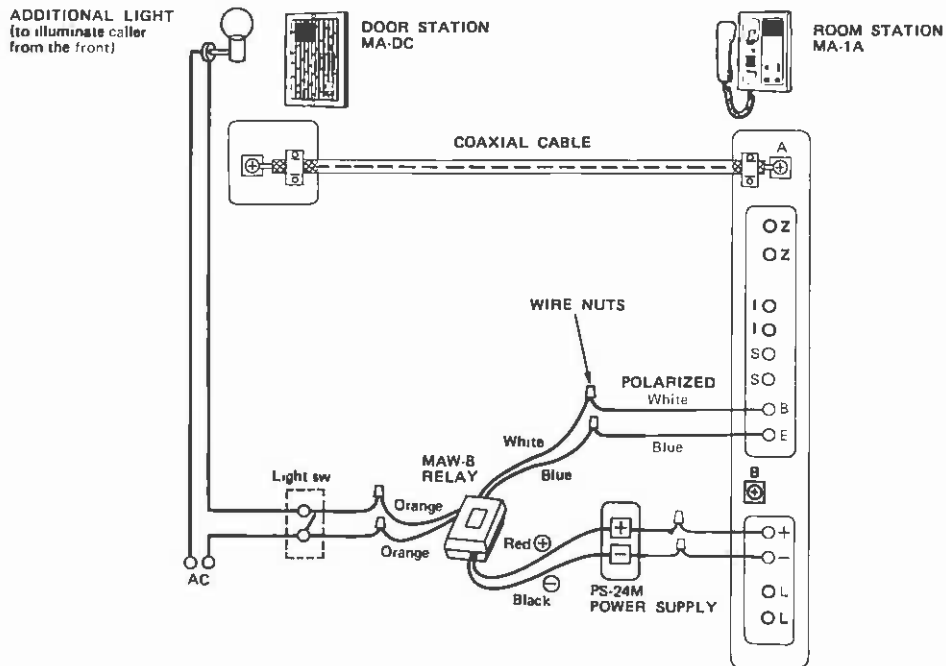
- \* Power source : DC-24V. Supplied by PS-24M power supply adaptor.
- \* Power consumption : 2.5W maximum.  
0.5W in standby mode.
- \* Relay contact capacity : Use incandescent lamps for general lighting service of less than 100W.
- \* Wiring : 2-wires (polarized) between MAW-B and MA-1A/MA-4U master room station.  
2-wires (polarized) between MAW-B and PS-24M power supply.
- \* Wiring distance : Up to 80m (26') with 0.65 mm dia. (22AWG) wires between MAW-B and PS-24M.

**INSTALLATION**

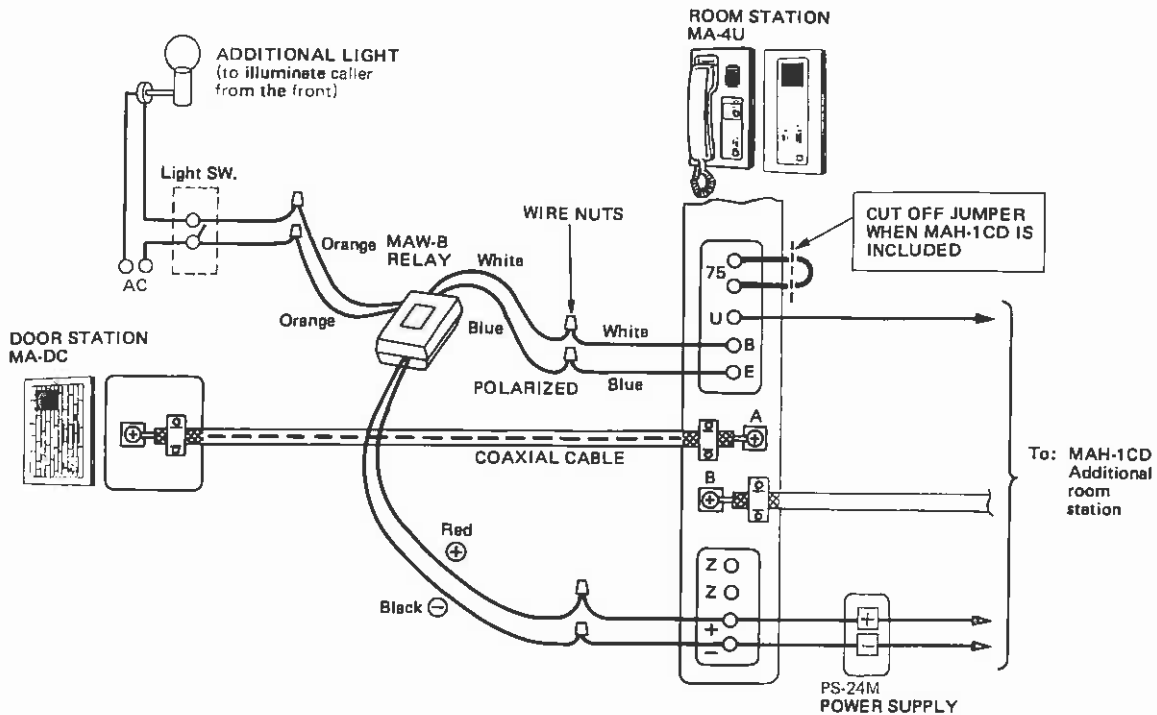
Attach the mounting hardware to MAW-B relay box. Install the provided wood screws to wall with an interval of 110 mm (4-5/16") between. Mount MAW-B box onto the wood screws.



**WIRING DIAGRAM: MA-1A SYSTEM WITH MA-DC DOOR STATION**



## WIRING DIAGRAM # ② MA-4U SYSTEM WITH MA-DC DOOR STATION



### NOTES ON INSTALLATION:

- (1) It will cause permanent damage to MAW-B relay box if white/blue and red/black wires are connected to AC power lines.
- (2) For additional light, use incandescent lamp for general lighting service of 100W or less, otherwise relay contact will be damaged.
- (3) Do not connect any wire on MAW-B relay to AC power lines.

\*\*\*

We at AIPHONE are proud of our products. Our designers and engineers strive to bring you the finest in communication equipment. Each item has been carefully tested and inspected before leaving our factory. Properly installed and used, your Aiphone intercom system should give years of trouble-free service.

We are pleased to offer the following warranty:

### WARRANTY

Aiphone warrants its products to be free from defects of material and workmanship under normal use and service for a period of one year after delivery to the ultimate user and will repair free of charge or replace at no charge, should it become defective upon which examination shall disclose to be defective and under warranty. Aiphone reserves unto itself the sole right to make the final decision whether there is a defect in materials and/or workmanship; and whether or not the product is within the warranty.

This warranty shall not apply to any Aiphone product which has been subject to misuse, neglect, accident, or to use in violation of instructions furnished, nor extended to units which have been repaired or altered outside of the factory.

This warranty does not cover batteries or damage caused by batteries used in connection with the product.

This warranty covers bench repairs only, and any repairs must be made at the shop or place designated in writing by Aiphone. Aiphone will not be responsible for any costs incurred involving on site service calls.