

JP Series

7" Touchscreen Video Intercom
with Room-to-Room Communication



Combine entry security and internal
communication into one reliable system

Touchscreen Simplicity

Know exactly who is at the door, even from across the room. The 7" touchscreen displays clear images from the door station. The intuitive interface replaces traditional button designs for easy operation and simplicity.



Choose Your Preferred Communication Style



HANDS-FREE FOR CONVENIENCE

Simply touch the screen and easily communicate with visitors using the built-in microphone and speaker.

Popular Applications: Offices, Homes



HANDSET FOR PRIVACY

Pick up the handset at any time during conversation. Perfect for noisy environments.

Popular Applications: Hospitals, Schools

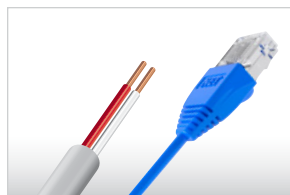
Simple Wiring

Between door and master station:

- Standard 2-conductor cable, like doorbell wire
- For distances under 165', use the green and blue pairs from a Cat-5e/6 cable

Between inside stations:

- Cat-5e/6 cable (homerun or daisy-chained)



Record Who Visited

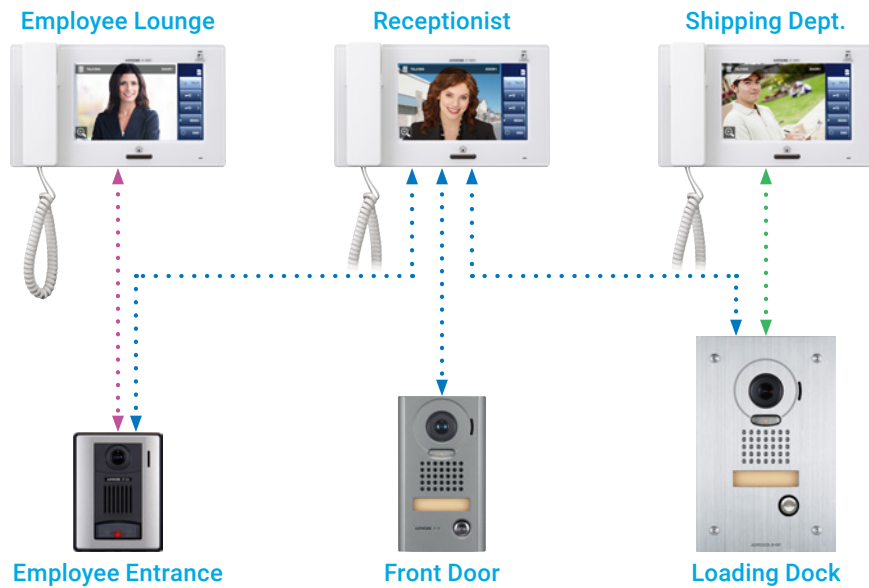
- The JP Series automatically takes pictures of visitors
- Transfer images or save directly to a removable SD/SDHC card*
- Easily view recorded images on a computer or other compatible device



**SD and SDHC cards are not supplied by Aiphone.*

Partitioning Creates More Application Opportunities

- Control interaction and authority between stations
- Designate exclusive master station(s) to communicate with, and unlock, a specific door or set of doors
- Password protect to prevent unauthorized changes



Internal Communication

- Easily communicate between stations
- Simultaneously make an announcement to all inside stations or select a single station to call



Monitor Door Stations

- See and hear activity on all inside stations
- View video from door stations, or CCTV cameras with the optional adaptor
- Monitor for 30 seconds, 60 seconds, 120 seconds, or continuously 24/7

JP Series Applications



Offices

Conveniently and safely identify visitors from inside. Place multiple stations around the office to ensure every visitor is attended to in a timely manner. For broad surveillance of a location, connect a CCTV camera using one of the four door station inputs located on the master station.



Schools

Lock school entrances to maintain security. Identify visitors, and unlock doors safely and conveniently from the main office or from the principal's desk.



Homes

Install JP Series door stations in children's rooms to monitor infants. As the child grows, stations can be used to communicate with parents. Door stations can also be installed in areas to monitor live-in seniors and special needs individuals.

Easily Identify Visitors



Start with a Box Set Each set includes a door station, master station, and a power supply



JP-4AED
Box Set with JP-DA, JP-4MED, and PS-2420UL



JP-4AEDV
Box Set with JP-DV, JP-4MED, and PS-2420UL



JP-4AEDF
Box Set with JP-DVF, JP-4MED, and PS-2420UL

Add More Inside Stations

Up to 7 JP-4HDs per system



JP-4HD
Video Sub Master Station

- 7" LCD touchscreen
- Hands-free communication with handset for privacy
- Homerun or daisy-chain with Cat-5e/6 cable

Cat-5e/6



JP-8Z
Distribution Adaptor for Video Sub Master Stations (only required for homerun wiring methods – see configuration example below)

Add More Door Stations

Up to 4 total per system



JP-DA
Video Door Station (included with JPS-4AED box set)

- PTZ camera
- Plastic chassis
- Weather resistant
- Surface mount



JP-DV
Video Door Station (included with JPS-4AEDV box set)

- PTZ camera
- Zinc die cast cover
- Weather and vandal resistant
- Surface mount



JP-DVF
Video Door Station (included with JPS-4AEDF box set)

- PTZ camera
- Stainless steel panel
- Weather and vandal resistant
- Flush mount (back box included)



JP-DVF-HID
Card Access Video Door Station

- Same features as JP-DVF, plus:
- HID® ProxPoint® Plus Proximity Card Reader



JP-DVF-RP10
Card Access Video Door Station

- Same features as JP-DVF, plus:
- HID® multiCLASS SE® Proximity Card Reader



JPW-BA
Long Distance/CCTV Adaptor for Door Stations

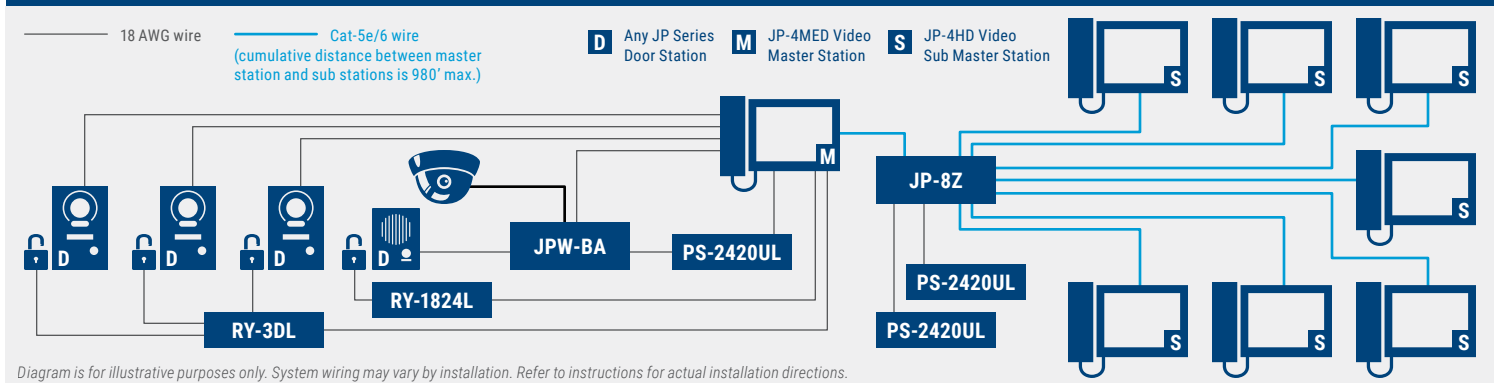


GT-D
Audio Door Station

- Plastic chassis
- Weather resistant
- Surface mount

NOTE: HID® stations require a third-party host and additional wire to power card reader.

Homerun Wiring Configuration Example



Specifications

Power Source 24V DC – use PS-2420UL

Communication Hands-free (VOX) or handset (full-duplex)

Video Display 7" LCD touchscreen

Picture Memory Internal Storage: record max. 20 calls (6 images per call) with up to 5 calls protected from overwriting

SD/SDHC Card: record max. 1,000 calls (40 images per call) with up to 100 calls protected from overwriting

Camera Type: 1/4" color CMOS
 View Area: 100° vertical x 170° horizontal

Door Release N/O dry contact, 24V AC/DC, 500mA – use EL-12S (use RY-1824L for larger contact rating and use RY-3DL for 3 or 4 doors)

Wire Type Door Station to Master Station: 2-cond., mid cap, solid, non-shielded – use Aiphone #871802

Power Supply to Master Station: 2-cond., mid cap, solid, non-shielded – use Aiphone #871802

Master Station to Adaptor: Cat-5e or Cat-6

Adaptor to Sub Master Station: Cat-5e or Cat-6

JPW-BA: 2-cond., mid cap, solid, non-shielded – use Aiphone #871802

Distance Door Station to Master Station: 330'
 Master Station to Distribution Adaptor: 650'
 Distribution Adaptor to Sub Master Station: 165'
 Long Distance/CCTV Adaptor to Master Station: 330'
 Total Cumulative Between Inside Stations: 980'
 Power Supply to Master Station: 16' (22 AWG) 33' (18 AWG)
 Power Supply to Distribution Adaptor: 16' (22 AWG) 33' (18 AWG)



SECURITY COMMUNICATION SOLUTIONS

aiphone.com

Aiphone Corporation HEADQUARTERS

6670 185th Ave NE
 Redmond, WA 98052

Aiphone Corp. East REMOTE OFFICE

535 Route 38 East, #340
 Cherry Hill, NJ 08002

Aiphone Corp. Canada REMOTE OFFICE

400 St. Martin West Blvd., #200
 Laval, QC H7M 3Y8

Customer Service & Technical Support (800) 692-0200

#91275 | JP Series Brochure I 11/2018

Digital Version Revised 03/2021

© 2018. All Rights Reserved. Printed in USA.

The information in this brochure is subject to change without notice.