



System Status LEDs (Normal Mode)		
LED 1 ACTIVATION	■ OFF	NOT ACTIVATED
	□ ON	ACTIVATED
	≧□≦ FLASHING	ACTIVATION DENIED
LED 2 STC (SYSTEM TROUBLE CONDITION)	■ OFF	NO TROUBLE
	≧□≦ FLASHING	TROUBLE INDICATION(S): 1 FLASH = LOW/MISSING POWER SRC 2 FLASH = LOW BATTERY 3 FLASH = LAN FAILURE (SEE LED 6) 4 FLASH = NO SERVICE 5 FLASH = RADIO FAILURE 6 FLASH = DIAL TONE FAIL 7 FLASH = PANEL PRESENCE FAIL
LED 3 PANEL COMM	■ OFF	ON-HOOK - IDLE
	≧□≦ FLASHING	OFF-HOOK - PANEL COMMUNICATING
LED 4 TMC COMM	■ OFF	IDLE
	□ ON	WAITING FOR TCC RESPONSE
	≧□≦ FLASHING	ACTIVATION DENIED
LED 5 COMM STATUS	■ OFF	READY TO COMMUNICATE
	□ ON	INITIALIZING PATHWAYS
	≧□≦ FLASHING	COMMUNICATION ACTIVITY
	≧□≦ FLASHING	LINK SUPERVISION ENABLED (2 FLASHES EVERY 6 SECONDS)
LED 6 LAN STATUS	■ OFF	UNIT IN CELLULAR ONLY MODE
	□ ON	LAN CONNECTED & OPERATIONAL
	≧□≦ FLASHING	LAN TROUBLE CONDITION: 1 FLASH = DISCONNECTED FROM LAN 2 FLASH = NETWORK NOT DETECTED 3 FLASH = UNABLE TO REACH TCC 4 FLASH = NO TCC ACKNOWLEDGMENT
	≧□≦ FLASHING	LAN COMMUNICATION ACTIVITY (1 FLASH EVERY 4 SECONDS)
LED 7 TRIP INPUT	■ OFF	NOT TRIPPED OR NOT IN USE
	□ ON	TRIPPED
LED 8 POWER	■ OFF	OFF OR USING BACKUP BATTERY
	□ ON	PANEL OR AC POWER CONNECTED

SUMMARY

There are seven steps in installing the communicator properly. **IF YOU DO NOT PROCEED IN THE ORDER AND MANNER PRESCRIBED, YOU MAY NOT COMPLETE THE INSTALLATION IN THE TIME ALLOCATED.**

STEP 1: REGISTER THE COMMUNICATOR

The registration form should be completed online through our 24/7 dealer portal www.telguard.com.

STEP 2: LOCATE AND MOUNT COMMUNICATOR & CONNECT POWER

Identify a location as far as possible from large metal objects and within convenient access to a router, switch, or other LAN port. Securely mount the unit. If a TG-PEM accessory will be used, follow its instructions to install it at this time. Next, make all power-related connections by using the provided plug-in AC transformer or the panel's DC auxiliary output.

STEP 3: DETERMINE BEST ANTENNA PLACEMENT

Attach the antenna and check the cellular signal quality by pressing and releasing the RSSI button. Ideally, you will have at least 2-1/2 bars as shown in the RSSI LED chart (2 bars is the minimum acceptable for dual path operation). If not, you may need an antenna accessory to place the antenna in a better location. Press and release the RSSI button again to end RSSI mode.

STEP 4: MAKE COMMUNICATIONS CONNECTIONS AND ACTIVATE

Connect the communicator to the alarm panel dialer via the black RJ-45 jack and to the premises LAN via the silver RJ-45 jack. Trip the alarm to activate the unit at the Telguard Communication Center. This first signal will not be sent to the Central Station, but subsequent alarms will. Following activation over the cellular connection, the LAN connection will automatically be verified.

STEP 5: CONNECT SUPERVISORY TRIP OUTPUTS

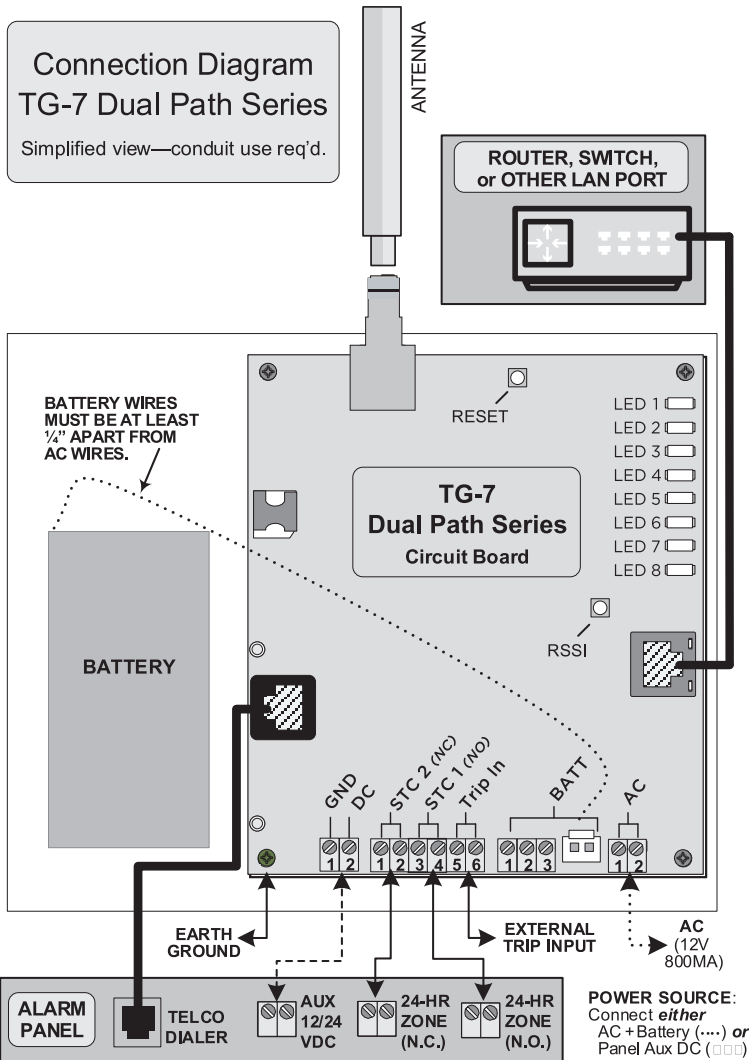
Wire communicator's supervisory trip outputs to the alarm panel & then test.

STEP 6: CONNECT TRIP INPUT (OPTIONAL)

If desired, wire an external relay input to the trip input lead and ground, and test.

STEP 7: COMPLETE TAMPER SWITCH (OPTIONAL)

For installations requiring a tamper switch (not supplied with all models), install it on the communicator enclosure & wire it directly to the alarm panel.



System Status LEDs (RSSI Mode)									
LEDs 2-5	OFF BLINKING ON								
	RSSI (bars)	NONE	1	1½	2	2½	3	3½	4
	Signal (dBm)	NO SVC	< -110	> -110	> -110	> -90	> -80	> -70	> -60

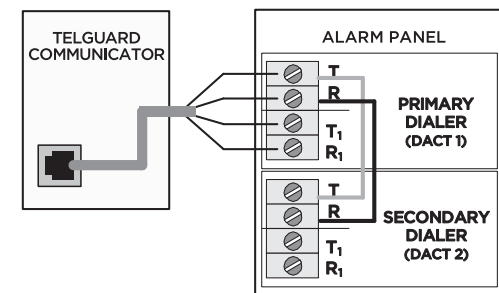
Acceptable RSSI Range*
*2-½ bar minimum in Sole Path mode

USING COMMUNICATOR IN CELLULAR ONLY MODE

The communicator is set to use LAN and Cellular pathways. If the LAN pathway will not be used, set the mode of operation to Cellular Only from the Telguard portal at www.telguard.com. Cellular Only is considered a Sole Path configuration, unless the alarm panel has an alternate connection (e.g., landline/POTS plugged into the secondary Telco port).

For Sole Path, you must configure Link Supervision using an appropriate interval and select a Sole Path monthly rate plan (when an alternate pathway is connected, skip these steps).

OPTIONAL CONNECTION
(When secondary dialer cannot be disabled)



ULC Note: To maintain compliance in Canada, the radio frequency warning label (supplied) must be affixed to the cover of the TG-7 series device.



For more detailed information, consult the full Installation & Operations Manual for the TG-7 Dual Path Series, available at telguard.com.