



Arlington Industries, Inc.

1 Stauffer Ind. Park - Scranton, Pa. 18517
 800-233-4717 Fax: 570-562-0646
 www.aifittings.com - E-MAIL: sales@aifittings.com
 Manufacturers of Quality Electrical Products

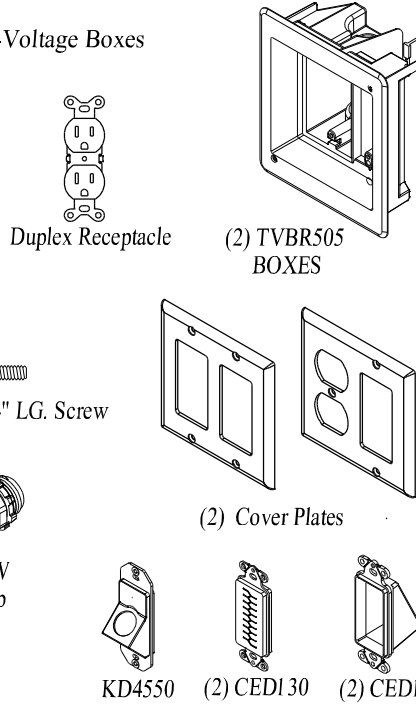
TV Bridge™ Kit For Flat Screen Televisions



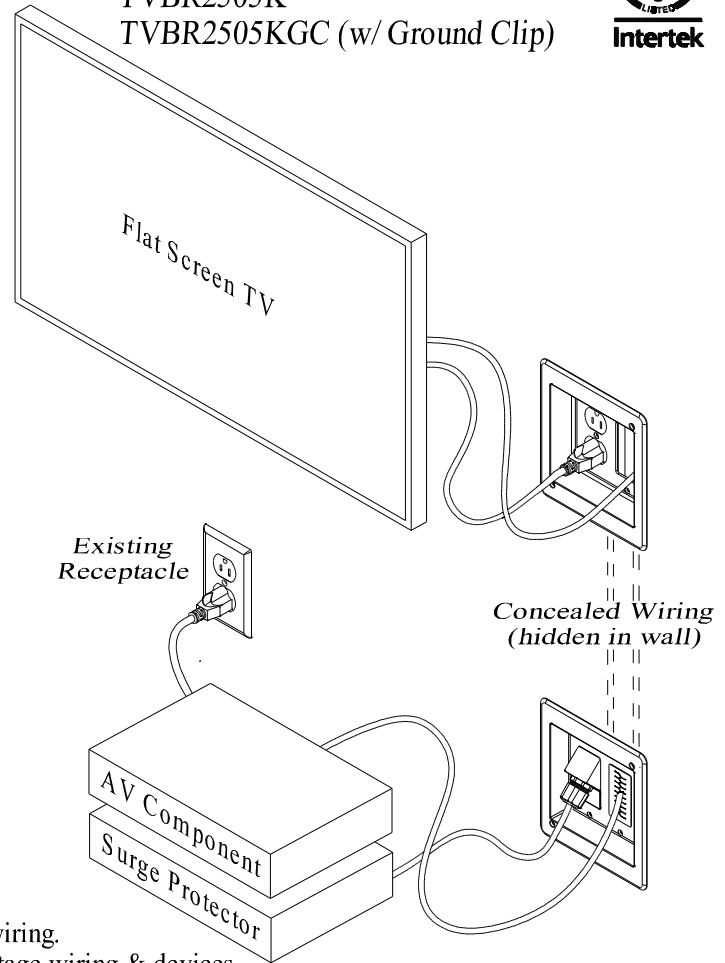
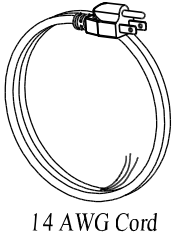
TVBR2505K
 TVBR2505KGC (w/ Ground Clip)

Contents:

- (2) TVBR505 Recessed, Dual-Voltage Boxes
- (1) Duplex Receptacle
- (2) Cover Plates
- (1) 6' Long 14 AWG Cord
- (1) LPCG50W Cord Grip
- (1) KD4550
- (2) CEDI 30
- (2) CEDI
- (3) Wire Nuts
- (6) #6-32 × 3/4" LG Screw



- (3) Wire Nuts
- (6) #6-32 × 3/4" LG. Screw



Important Notes:

- Installation must be in accordance with National Electric Code.
- This product is not designed to be an extension of a structure's hard wiring.
- Arlington recommends using a qualified electrician to install line-voltage wiring & devices.
- **NOTE:** Components are not energized until the flexible cord is plugged into an existing wall receptacle. Follow all instructions: do not plug in the flexible cord until all other wiring is complete.

Installation Instructions:

1. Locate position of Flat Panel television and install television mounting bracket per bracket manufacturer's instructions.
2. Locate upper TVBR505 box behind television installation so as not to interfere with mounting bracket. Determine location of wall studs and adjust position of TVBR505 away from studs or other obstructions inside the wall.
3. Locate position of lower TVBR505 in same stud bay as upper box location. Locate lower box ensuring supplied cord will reach an existing receptacle or surge protector (optional) to power the installation.
4. Make cut-out in wall for both TVBR505 boxes and pull a length of 14/2 with ground UL listed non-metallic sheathed cable leaving enough cable to easily complete the installation. Use only copper wiring for this installation. Low-voltage, coaxial, speaker wires etc. may also be pulled at this time before the TVBR505 boxes are installed in the wall.
5. Strip approx. 6 inches of sheathing from NM cable and strip 1/2" of insulation from conductors on both ends of NM cable.
6. Install NM cable into TVBR505 line-voltage box using cable connectors (provided) and secure TVBR505 into wall openings by tightening two wing screws visible on the flange.
7. Wire duplex receptacle to upper end of NM cable and install receptacle into power side of Upper TVBR505 box. Attach black (hot) conductor to brass colored screw, white (neutral) conductor to silver colored screw, ground conductor to green screw (on receptacle).
8. Strip 1/2" length of insulation from supplied 14 AWG flexible cord. Remove cord grip nut and install cord into LPCG50W cord grip. Install LPCG50W w/ cord into KD4550 using supplied locknut to secure the assembly.
9. Using supplied wire nuts, connect cord conductors to corresponding conductors (white to white, black to black, green to ground) of NM cable already installed in lower TVBR505 box. Ensure that wire nuts are tightened firmly.
10. Install KD4550 assembly to lower TVBR505 box using supplied #6 screws.
Mount CEDI 30 or CEDI to low-voltage sides of upper & lower TVBR505 boxes using supplied #6 screws.
11. Install cover plates using screws provided.
12. Install flat panel television to mounting bracket in accordance with manufacturer's instructions.
13. Connect TV power cable to installed duplex outlet in upper TVBR505 and make necessary low-voltage connections.
14. Energize TVBR2505K by plugging the installed flexible cord into an existing receptacle or surge protector.

If you have any questions or if parts are missing from your TVBR2505K Kit, Please call our Customer Service Department at 1-800-233-4717. Do not call or return this product to your local store or distributor.

NOTE: All Wiring Must be According to NEC, State and Local Codes.