

PTZ Camera for HDVS-300 Soft Codec Conferencing System

AT-HDVS-CAM



The Atlona AT-HDVS-CAM is an enterprise-grade PTZ camera designed for use with the AT-UHD-HDVS-300-KIT in soft codec conferencing applications. It features a USB interface for video and camera control. The HDVS-CAM seamlessly integrates with the HDVS-300-KIT for a complete, automated conferencing system that includes AV and USB extension, plus automatic input selection and display powering when a PC is connected. The HDVS-CAM delivers high performance, professional-quality imaging with video resolutions up to 1080p @ 30 Hz, as well as fast and accurate auto-focusing, and a fast yet quiet pan and tilt mechanism. This PTZ camera is ideal for a wide range of small to medium-sized meeting spaces, classrooms, and training rooms.

Package Contents

- | | |
|----------------------------|----------------------------------|
| 1 x AT-HDVS-CAM | 1 x VISCA to RS-232 DB-9 adapter |
| 1 x Wall mounting plate | 2 x AAA battery |
| 1 x 1/4 20OUNC screws | 1 x 12 V DC Power Supply |
| 1 x IR Remote Control | 1 x Installation Guide |
| 1 x USB A cable (2 meters) | |

Panel Descriptions



1 RS-232

Connect included VISCA to RS-232 adapter here to control the camera with a third party software or hardware controller.

2 USB

Connect the included USB A cable to this port from the USB port of the AT-UHD-HDVS-300-RX.

3 LAN

Connect to a network switch to control the unit via TCP/IP or webGUI.

4 DC 12V

Connect the included 12V power supply to this port.

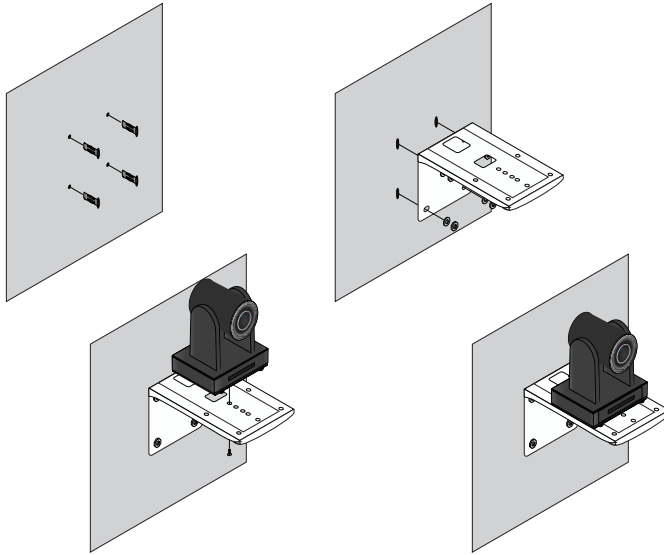
Mounting Instructions

The AT-HDVS-CAM has two installation options, wall mount (included) and ceiling mount (purchased separately).

Wall Mount installation

The install the AT-HDVS-CAM, 4 M6 swelling bolts, 1 1/4 20UNC bolt, 4 M6 nuts & shims, the included wall mount bracket, and the AT-HDVS-CAM are needed.

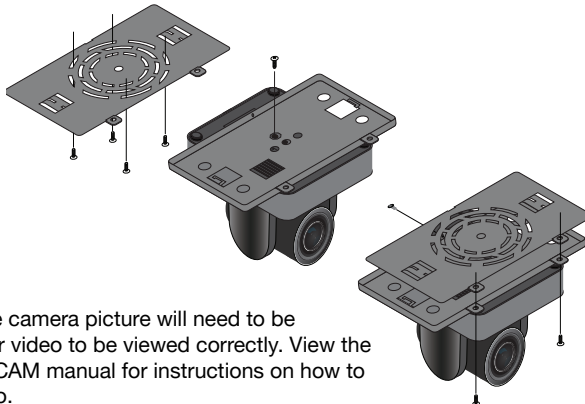
- 1 Install the M6 swelling bolts in a rectangular pattern on the wall, 100 mm wide and 50 mm high.
- 2 Attached the wall mount bracket onto the wall, by placing them on the M6 swelling bolts and securing it with the M6 nuts and shims.
- 3 Once the wall mount bracket is secure on the wall, place the camera on the top of the wall mount bracket and secure it with the 1/4 20UNC bolt.



Ceiling Mount installation

To install the AT-HDVS-CAM, 4 PA3X30 self-tapping screws, 4 PM3X6 screws, 4 screw stoppers, 1 1/4 20UNC screw, the optional ceiling upper and lower covering plates, and the AT-HDVS-CAM are needed.

- 1 Install the 4 screw stoppers in the ceiling.
- 2 Connect the upper ceiling covering plate to the screw stoppers using the PA3X30 self-tapping screws.
- 3 Connect the lower ceiling covering plate to the bottom of the AT-HDVS-CAM using the 1/4 20UNC screw.
- 4 Mount the lower ceiling covering plate to the upper ceiling plate using 3 PM3X6 bolts.



i NOTE: The camera picture will need to be inverted for video to be viewed correctly. View the AT-HDVS-CAM manual for instructions on how to invert video.



Installation

- 1 Connect the Ethernet cable to the LAN port on the back of the AT-HDVS-CAM.
- 2 Connect the included USB cable to from the **USB** port on the AT-HDVS-CAM, to an available USB port on the AT-UHD-HDVS-300-RX.

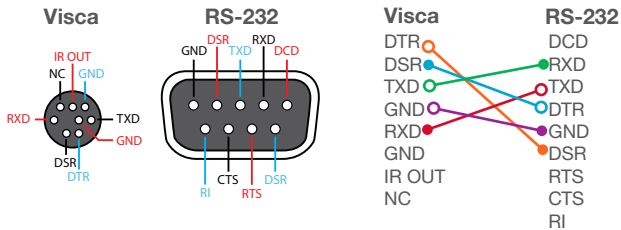


NOTE: Atlona strongly discourages the use of USB cables beyond 12 feet (3.5 meters) in length.

- 3 *Optional* Connect the Visca to RS-232 cable to the Visca port for RS-232 control.
- 4 Connect the included DC 12V power cable to the unit.



IMPORTANT: The included power supply should always be used when the camera is controlled with the AT-UHD-HDVS-300-C-KIT.



WebGUI

The AT-HDVS-CAM includes a built-in webGUI, which allows easy management and control of all features. Follow the instructions below to access the webGUI.

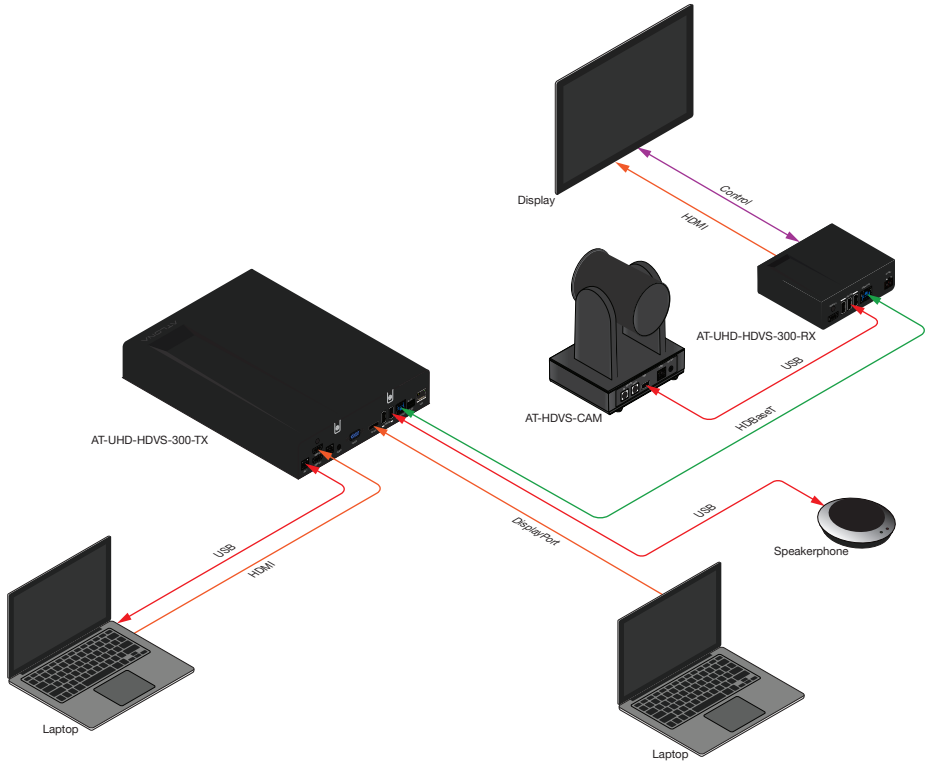
- 1 Use an IP scanner to determine the IP address of the AT-HDVS-CAM.
- 2 Launch a web browser and enter the IP address of the unit.
- 3 The AT-HDVS-CAM **Login** page will be displayed.
- 4 Enter the following information on the **Login** page.

Username: **root**
Password: **Atlona**

- 5 Click the **Login** button.



Connection Diagram





Troubleshooting

Problem	Cause	Solution
Why can I not get any picture from my camera?	Camera lens is covered, USB cables are faulty, or the PC is not set up to receive the video feed from the camera.	<ul style="list-style-type: none">• Remove the camera lens cover from the unit.• Try switching out the USB cables for new ones.• Bypass the HDVS-300 to verify the unit isn't having compatibility issues.• Check the device manager of the PC to ensure the camera USB device is discovering correctly. If the device is discovered, ensure the camera is selected within the video recording program (e.g. Skype).
Why isn't my video showing correctly?	Resolution, focus, color, and/or refresh rate may be set incorrectly.	<ul style="list-style-type: none">• Use the one of the control interfaces (IR, RS-232, or webGUI) to adjust the resolution, focus the camera, switch between 50 and 60 Hz, and many other settings.
Why is my IR remote not working?	There is no power or too much sunlight.	<ul style="list-style-type: none">• Ensure there are fresh batteries in the IR remote control.• Move the camera, so the front panel IR window is out of direct light.



Notes

