

DW[®] Universal HD over Coax[®] Snapit[™] vandal dome cameras

DWC-V4283WTIR DWC-V4283WD



UNIVERSAL HD COAX



WHAT'S IN THE BOX

Hex Allen wrench		1	Mounting template		1
DC plug cable		1	Screws and plastic anchors - 4pcs		1 set
Test video cable		1	Moisture absorber and absorber guide		1
Hex Allen wrench drive		1	Quick set up guide		1

NOTE: Download all your support materials and tools in one place.

- Go to: <http://www.digital-watchdog.com/resources>.
- Search your product by entering the part number in the 'Search by Product' search bar. Results for applicable part numbers will populate automatically based on the part number you enter.
- Click 'Search'. All supported materials, including manuals and quick start guide (QSGs) will appear in the results.

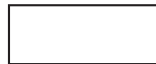
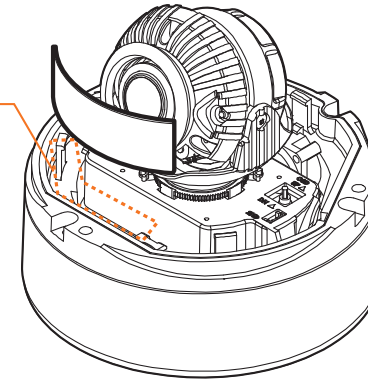


Attention: This document is intended to serve as a quick reference for initial set up. It is recommended that the user read the entire instruction manual for complete and proper installation and usage.

STEP 1 - PREPARING TO MOUNT THE CAMERA

- The mounting surface must withstand five times the camera weight.
- Pay attention to the cables. They can easily become caught and damaged. Any damage may cause a short or fire.
- Install the moisture absorber in the base of the camera's lens.
 - Remove the moisture absorber from the packaging.
 - Place the moisture absorber around the base of the camera's lens module.
- Detach the camera's dome cover by loosening the screws on each side of the dome.
- Using the mounting template sheet or the camera itself, mark and drill the necessary holes in the wall or ceiling.

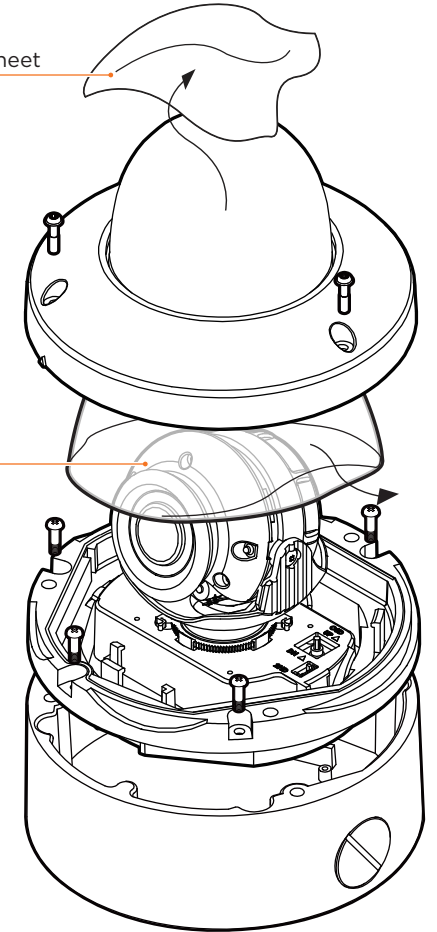
Absorber attachment point



✘ Please attach the card type absorber to attachment point as the picture.

Protective sheet

Protective film



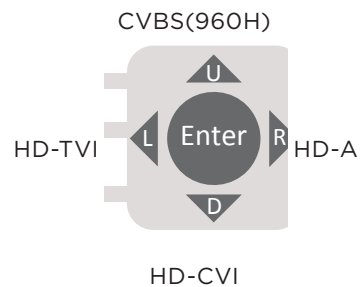
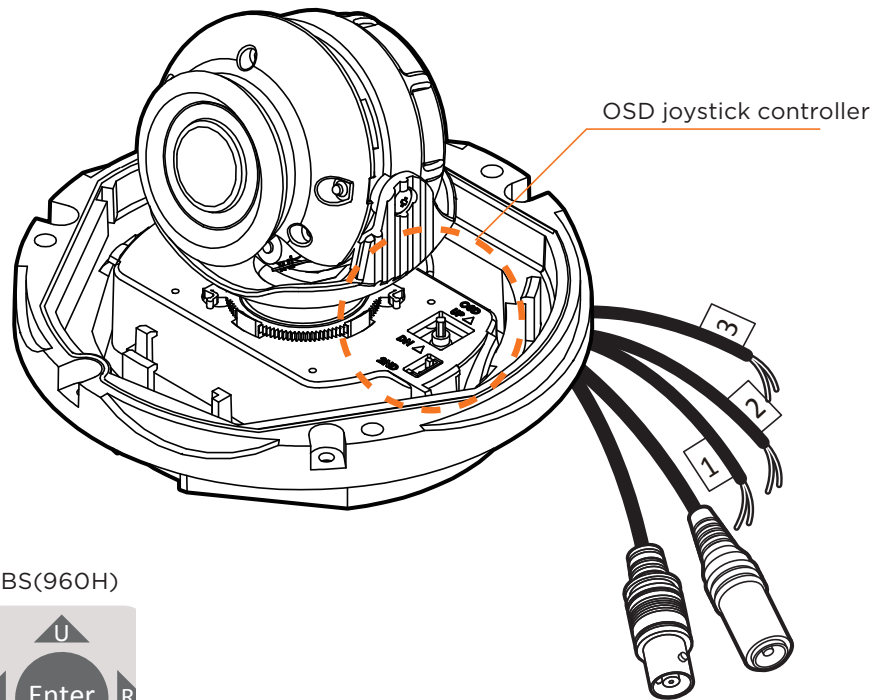
STEP 2 - CABLING THE CAMERA TO EXTERNAL DEVICES

Pass the wires through the mount bracket and make all necessary connections. Connect the BNC cable and power cables to the camera.

Power Requirements	Power Consumption
DC12V/AC24V dual voltage	DC12V (LED OFF): 3.0W DC12V (LED ON): 5.2W AC24V (LED OFF): 2.3W AC24V (LED ON): 4.6W

STEP 3 - CHANGING THE SIGNAL IN THE CAMERA

1. The camera supports HD-Analog, HD-CVI and HD-TVI signals. To switch between the signals:
 - a. Remove the camera's dome to access the joystick and OSD control on the base of the camera.
 - b. Use the OSD Switch to switch the camera's signal.
 - To switch the camera to HD-TVI mode, press OSD joystick to the left for 5 seconds.
 - To switch the camera to HD-Analog mode, press OSD joystick to the right for 5 seconds.
 - To switch the camera to CVBS mode, press OSD joystick up for 5 seconds.
 - To switch the camera to HD- CVI mode, press OSD joystick down for 5 seconds.



STEP 4 - INSTALLING THE CAMERA

1. Once all cables have been connected, Secure the camera module to the junction box using three (3) screws.
2. Adjust the camera's pan, tilt and position to achieve the desired view. The cameras' max angles are:
 - Pan: 0° - 360°
 - Tilt: 0° - 75°
 - Rotation: 0° - 350°
3. Once the installation is complete, remove the protective film from the camera's dome cover.

