

MEGAPIX PANO  
Panoramic View IP cameras

MEGApix IVA+ models	9MP model	5MP model
DWC-PPVF9Di2TW DWC-PPVF5Di1TW	DWC-PVF9Di2TW	DWC-PVF5Di1TW



Default Login Information: admin | admin

When logging into the camera for the first time, you will be prompted to set up a new password. You can set the new password using the DW® IP Finder™ software or directly from the camera's browser menu.

WHAT'S IN THE BOX

Quick Setup and Download Guides		1 set	Mount Bolts and Nuts - 2pcs		1 set
Metal Mounting plate		1	Screws and Plastic Anchors - 3pcs		1 set
Mounting Template for Bolt and Nut Installation		1	Waterproof Cap and Gasket		1 set
Mounting Template for Metal Plate Installation		1	Star Wrench		1

NOTE: Download all your support materials and tools in one place

- Go to: <http://www.digital-watchdog.com/resources>
- Search your product by entering the part number in the 'Search by Product' search bar. Results for applicable part numbers will populate automatically based on the part number you enter.
- Click 'Search'. All supported materials, including manuals and quick start guide (QSGs) will appear in the results.



Attention: This document is intended to serve as a quick reference for the initial setup. It is recommended that the user read the entire instruction manual for complete and proper installation and usage.

Tel: +1 (866) 446-3595 / (813) 888-9555

digital-watchdog.com

Technical Support Hours:  
9:00 AM - 8:00 PM EST, Monday through Friday

STEP 1 - PREPARING TO MOUNT THE CAMERA

- The mounting surface must bear five times the weight of your camera.
- Do not let the cables get caught in improper places or the electric line cover to be damaged. This may cause a breakdown or fire.
- CAUTION: These servicing instructions are for use by qualified service personnel only. To reduce the risk of electric shock do not perform any servicing other than that contained in the operating instructions unless you are qualified to do so.
- CAUTION: There is a risk of explosion if the battery is replaced incorrectly and it should be replaced only with the same battery. ATTENTION: Il y a risque d'explosion si la batterie est remplacée par une batterie de type incorrect. Mettre au rebut les batteries usages conformément aux instructions.
- Used batteries must be disposed of according to local regulations or the battery manufacturer's instructions. Disposing of batteries in a fire or in a hot oven, or mechanically crushing and cutting them may cause an explosion.
- Leaving the battery in very high temperature or low air pressure environments may result in an explosion or leak of flammable liquids or gases.
- This product is intended to be supplied by a UL Listed Power Supply Unit marked "Class 2" or "LPS" or "PS2" and rated 12 Vdc, 0.71A (DWC-PPVF9Di2TW and DWC-PVF9Di2TW) and 0.63A (DWC-PPVF5Di1TW and DWC-PVF5Di1TW) min.
- The wired LAN hub providing power over the Ethernet (PoE) in accordance with IEEE 802.3af shall be a UL Listed device with the output evaluated as a Limited Power Source as defined in UL60950-1 or PS2 as defined in UL62368-1.
- Unit is intended for installation in a Network Environment 0 as defined in IEC TR 62102. As such, associated Ethernet wiring shall be limited to inside the building.
- Using the mounting template sheet or the camera itself, mark and drill the necessary holes in the wall or ceiling.

STEP 2 - POWERING THE CAMERA

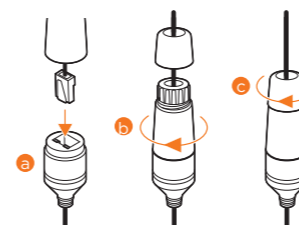
Pass the wires through and make all the necessary connections.

- NETWORK CONNECTIONS - If you are using a PoE switch, connect the camera using an Ethernet cable for both data and power.
- NETWORK CONNECTIONS - If you are using a non-PoE switch, connect the camera to the switch using an Ethernet cable for data transmission and use a power adapter to power the camera.

Model	Power Requirements	Power Consumption
DWC-PPVF9Di2TW DWC-PVF9Di2TW	DC12V, PoE IEEE 802.3af Class 3.	DC12V: max 8.5W PoE: max 10W
DWC-PPVF5Di1TW DWC-PVF5Di1TW	(Adapter not included)	DC12V: max 7.5W PoE: max 8.7W

STEP 3 - INSTALLING THE CAMERA

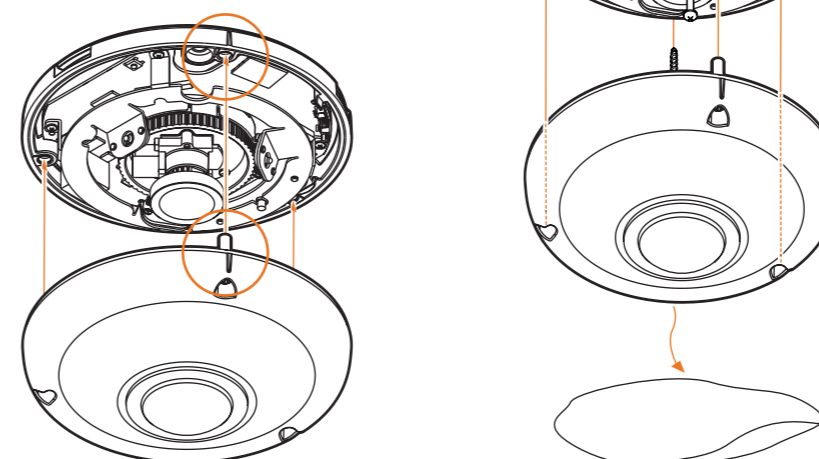
- Once all cables are connected, secure the camera to the mounting surface using the included screws.
- For soft installation surfaces, use the included metal mount plate. Fix the mounting plate on the mounting surface using the included screws. Then, press the bottom case onto the mounting plate. The three bezels on the case will align and snap lock onto the plate.
- To use the camera's waterproof wiring:
  - Install the LAN cable into **a**.
  - b** will be assembled to **a** with a 1/4 turn.
  - Thread **c** tightly to **b**.



NOTE: To ensure moisture seal, make sure the o-ring is in place between **a** and **b**. In extreme environments use of an outdoor rated sealer is recommended.

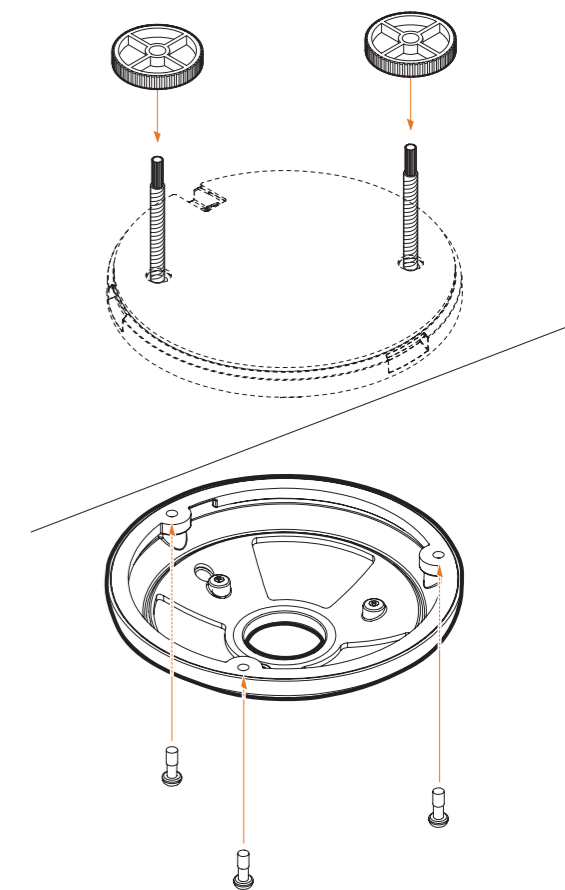
NOTE: When using the waterproof cap, crimp the RJ45 connector after passing the cable through the waterproof cap.

- Re-attach the camera's gasket ring and dome to the camera module by aligning the screw holes. Align the wedge on the side of the camera with the one on the mounting bracket.

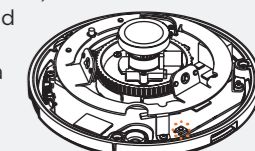


Installation using mount bolt and screws:

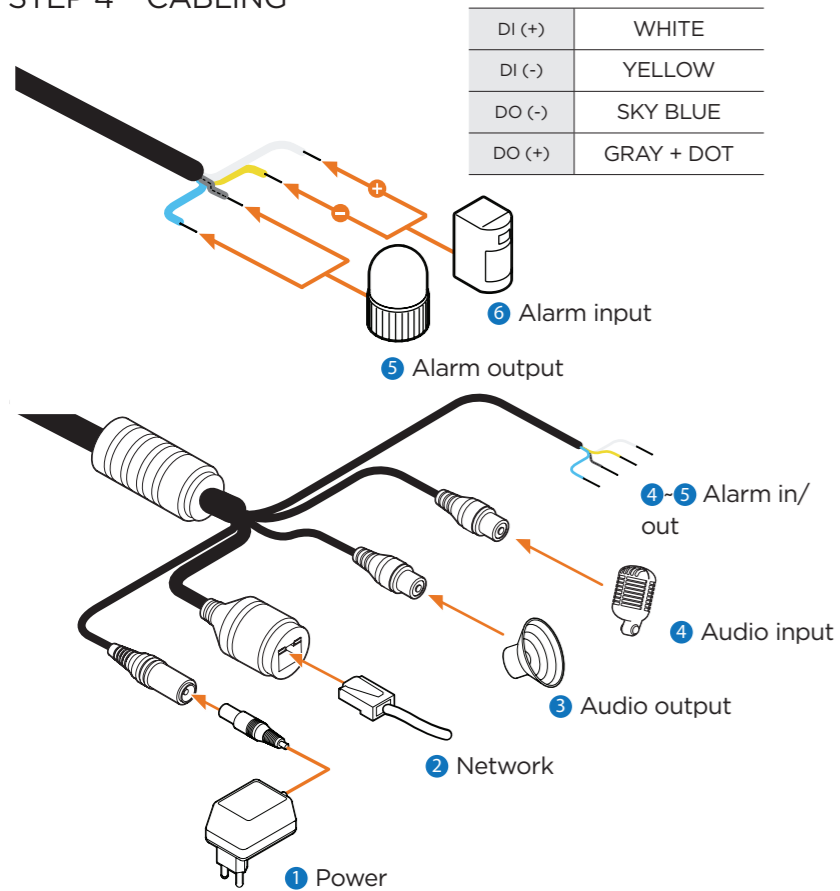
- Using the template sheet for the nuts and bolts installation, mark and drill the holes on the mounting surface.
- Secure the two long mounting screws to the camera's base.
- Pass the wires through the mount bracket and make all necessary connections.
- Mount the camera to the mounting surface by using the 2 mounting nuts. Rotate the locking discs over the screws until the camera is held tightly from the mounting surface.
- Re-attach the camera's gasket ring and dome to the camera module by aligning the screw holes. Be sure to align the wedge on the side of the camera with the one on the mounting bracket.



Resetting the camera: To reset the camera, use the tip of a paper clip or a pencil and press the reset button. Pressing the button for five (5) seconds will initiate a camera-wide reset of all the settings, including network settings.



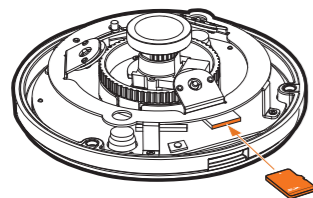
**STEP 4 - CABLING**



**STEP 5 - MANAGING THE SD CARD**

To install the memory card:

1. The SD card slot is located next to the reset button.
2. Detach the camera's cover dome from the camera's module by unscrewing the cover dome screws.
3. Insert a Micro SD/SDHC class 10 card according to the diagram.
4. To remove the SD card, press the card gently into the card slot to release it. The card will pop out automatically.



**STEP 6 - DW® IP FINDER™**

Use the DW IP Finder software to scan the network and detect all MEGApix® cameras, set the camera's network settings or access the camera's web client.

Thumbnail view

Select network to scan

Filter results

Scan network

Show/hide thumbnail view

Refresh thumbnail view

Bulk IP assignment

Bulk password assignment

Firmware upgrade

DHCP status

Firmware version

Camera's uptime

Open IP configuration settings

Ping camera

Port information

Gateway address

Netmask address

Camera's MAC address

Part number

Camera's IP address

Camera's name

**Network Setup**

1. To install the DW IP Finder, go to <http://www.digital-watchdog.com>
2. Enter "DW IP Finder" on the search box at the top of the page.
3. Go to the "Software" tab on the DW IP Finder page to download the installation file.
4. Follow the installation to install the DW IP Finder. Open the DW IP Finder and click 'Scan Devices'. It will scan the selected network for all supported devices and list the results in the table. During the scan, the DW® logo will turn gray.

- 1 Select DHCP to allow the camera to receive its IP address automatically from the DHCP server.
- 2 Select "Static" to manually enter the camera's IP address, (Sub)Netmask, Gateway and DNS information.  
\* The camera's IP must be set to Static if connecting to Spectrum® IPVMS
- 3 Contact your network administrator for more information.

Default TCP/IP information: DHCP

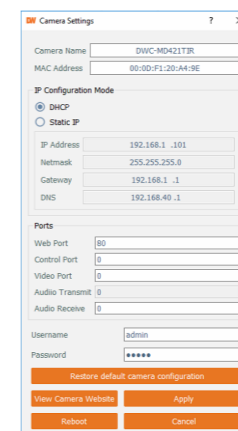
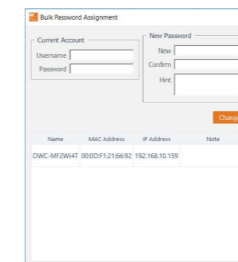
5. When connecting to the camera for the first time, a password must be set. To set up a password for your new camera:
  - a. Check the box next to your new camera from the IP Finder's search results. You can select multiple cameras.
  - b. Click "Bulk Password Assign" on the left.

- c. In the pop-up window, enter admin/admin in the current username and password fields. Enter a new username and password to the right.
- d. Press "change" to apply all changes.

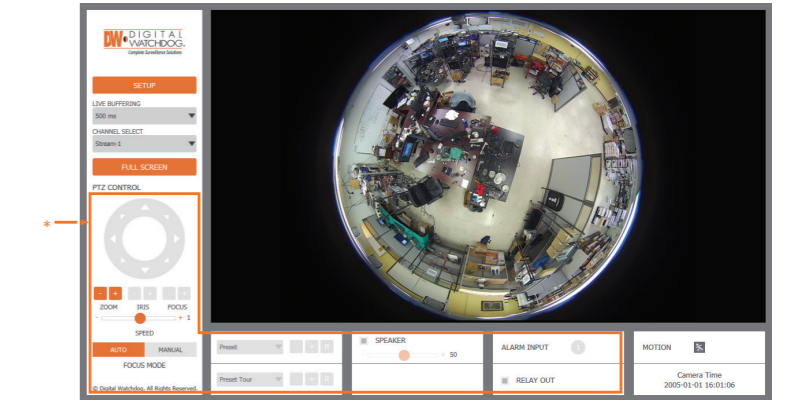
6. Select a camera from the list by double-clicking on the camera's image or clicking on the 'Click' button under the IP Conf. column. The pop-up window will show the camera's current network settings, allowing admin users to adjust the settings as needed.

7. To access the camera's web page, go to the IP Config page and click on the 'View Camera Website'.
8. To save the changes made to the camera's setting, input the username and password of the camera and click Apply.

'Port forwarding' has to be set in your network's router for external access to the camera.



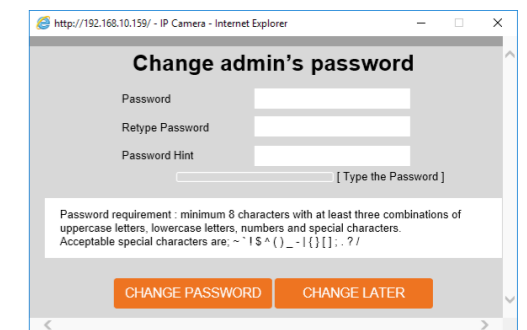
**STEP 7 - WEB VIEWER**



The GUI display may differ by camera models. Once the camera's network settings have been setup properly, you can access the camera's web viewer using the DW IP Finder.

To open the camera's web viewer:

1. Find the camera using the DW IP Finder.
2. Double-click on the camera's view in the results table.
3. Press the 'View Camera Website'. The camera's web viewer will open up in your default web browser.
4. Enter the camera's username and password you setup in the DW IP Finder. If you did not setup a new username and password via the DW IP Finder, you will not be able to view video from the camera. A message will direct you to setup a new password for the camera to view video.



5. When accessing the camera for the first time, install the VLC player for web files to view video from the camera.

**NOTE:** 32bit version of the VLC player must be installed. If you are using a 64bit system, uninstall the previous 64bit version and reinstall using the 32bit version.

**NOTE:** Some menu options may not be available based on the camera model. See the full manual for more information.