



IP Cameras

MEGApix® IVA™ models	5MP models	2.1MP/1080p models
DWC-MPVA5WiAT	DWC-MVA5WiAT	DWC-MVA2WiAT
DWC-MPVA5Wi28T	DWC-MVA5Wi28T	DWC-MVA2Wi28T
DWC-MPVA2WiAT		
DWC-MPVA2Wi28T		



Default Login Information: admin | admin

When logging into the camera for the first time, you will be prompted to set up a new password. You can set the new password using the DW® IP Finder™ software or directly from the camera's browser menu.

WHAT'S IN THE BOX

Hexagonal Wrench		1	Mounting Template		1
Screws and Plastic Anchors - 2pcs		1 set	Quick Setup and Installation Guide		1 set
Waterproof Cap and Gasket		1 set			

NOTE: Download all your support materials and tools in one place

- Go to: <http://www.digital-watchdog.com/resources>
- Search your product by entering the part number in the 'Search by Product' search bar. Results for applicable part numbers will populate automatically based on the part number you enter.
- Click 'Search'. All supported materials, including manuals and quick start guide (QSGs) will appear in the results.



Attention: This document is intended to serve as a quick reference for the initial set-up. It is recommended that the user read the entire instruction manual for complete and proper installation and usage.

Tel: +1 (866) 446-3595 / (813) 888-9555

digital-watchdog.com

Technical Support Hours:
9:00 AM - 8:00 PM EST, Monday through Friday

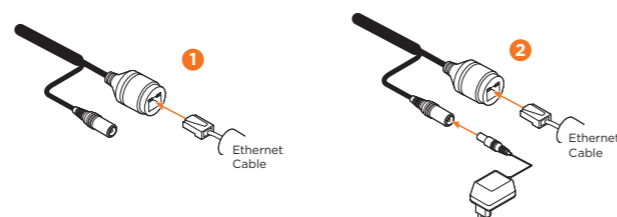
STEP 1 - PREPARING TO MOUNT THE CAMERA

- The mounting surface must withstand five times the camera weight.
- Do not let the cables get caught in improper places or the electric line cover can be damaged. This may cause a short or fire.
- CAUTION:** These servicing instructions are for use by qualified service personnel only. To reduce the risk of electric shock do not perform any servicing other than that contained in the operating instructions unless you are qualified to do so.
- This product is intended to be supplied by a UL Listed Power Supply Unit marked "Class 2" or "LPS" or "PS2" and rated 12 Vdc, 0.59A (DWC-MPVA5WiAT, DWC-MVA5WiAT, DWC-MPVA5Wi28T and DWC-MVA5Wi28T), 0.53A (DWC-MPVA2WiAT, DWC-MVA2WiAT, DWC-MPVA2Wi28T and DWC-MVA2Wi28T) min.
- The wired LAN hub providing power over the Ethernet (PoE) in accordance with IEEE 802-3af shall be a UL Listed device with the output evaluated as a Limited Power Source as defined in UL60950-1 or PS2 as defined in UL62368-1.
- Unit is intended for installation in a Network Environment 0 as defined in IEC TR 62102. As such, associated Ethernet wiring shall be limited to inside the building.
- Using the mounting template sheet or the camera itself, mark and drill the necessary holes in the wall or ceiling.

STEP 2 - POWERING THE CAMERA

Pass the wires through and make all the necessary connections.

- NETWORK CONNECTIONS** - If you are using a PoE switch, connect the camera using an Ethernet cable for both data and power.
- NETWORK CONNECTIONS** - If you are using a non-PoE switch, connect the camera to the switch using an Ethernet cable for data transmission and use a power adapter to power the camera.

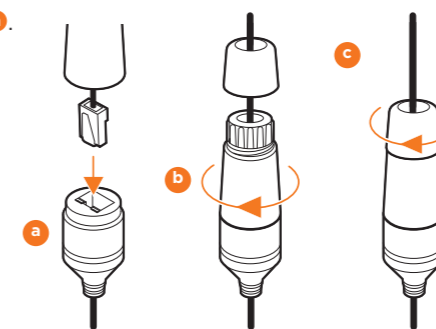


Models	Power requirements	Power consumption
DWC-MPVA5WiAT DWC-MVA5WiAT	DC 12V, PoE IEEE 802.3af Class 3. (Adapter not included)	DC12V: max 7.1W PoE: max 8.5W
DWC-MPVA5Wi28T DWC-MVA5Wi28T		DC12V: max 6.5W PoE: max 7.8W
DWC-MPVA2WiAT DWC-MVA2WiAT		DC12V: max 6.4W PoE: max 7.6W
DWC-MPVA2Wi28T DWC-MVA2Wi28T		DC12V: max 5.7W PoE: max 7.2W

STEP 3 - INSTALLING THE CAMERA

- To use the camera's waterproof wiring:

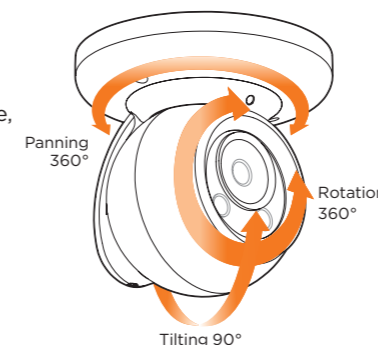
- Install the LAN cable into **a**.
- b** will be assembled to **a** with a 1/4 turn.
- Thread **c** tightly to **b**.



NOTE: To ensure moisture seal, make sure the o-ring is in place between **a** and **b**. In extreme environments use of an outdoor rated sealer is recommended.

NOTE: When using the waterproof cap, crimp the RJ45 connector after passing the cable through the waterproof cap.

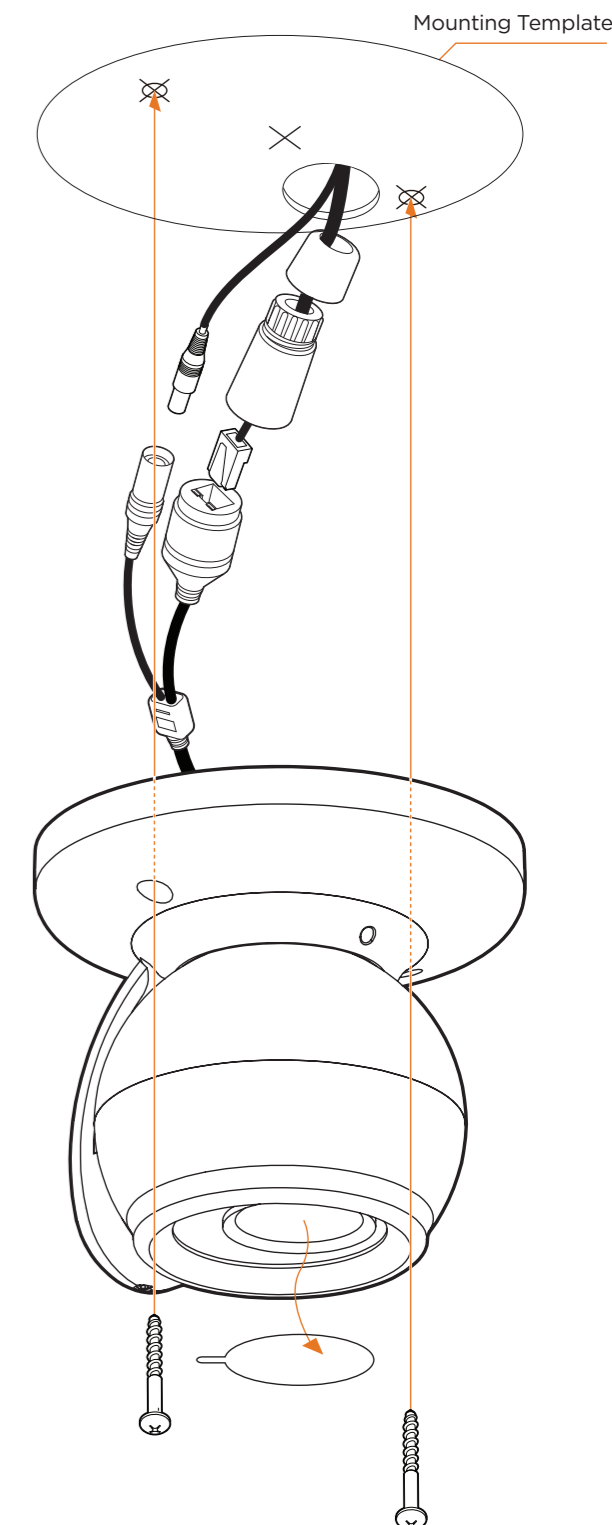
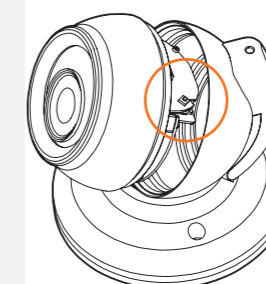
- Once all cables have been connected, use the screws included with the camera to properly mount and secure the camera to the mounting surface.
- Adjust the camera's pan, tilt and position to achieve the desired view. The cameras' max angles are:
Pan: 0° - 360°
Tilt: 0° - 90°
Rotation: 0° - 360°
- Once the installation is complete, tighten the pan/tilt/rotation screw until it's secure.



Resetting the camera: To reset the camera, detach the ball module from the base by rotating it counter-clockwise. See the diagram on the bottom right.
Do not touch any other parts of the camera.

Press the reset button on the base of the camera's lens module. Pressing the button for five (5) seconds will initiate a camera-wide reset of all the settings, including network settings.

When replacing the camera's ball module back into place, make sure no cables are caught or got disconnected. Rotate the ball module clockwise until it is secured in place.



STEP 4 – DW® IP FINDER™

Use the DW IP Finder software to scan the network and detect all MEGApix® cameras, set the camera's network settings or access the camera's web client.

The screenshot shows the DW IP Finder 4.4.0 interface. On the left, there are several control buttons: 'Scan Devices', 'Thumbnail' (checked), 'Refresh Thumbnail', 'Bulk IP Assignment', 'Bulk Password Assignment', and 'FW Upgrade'. The main area displays a table of detected devices with columns for Thumbnail, Name, IP Address, Model, MAC Address, Netmask, Gateway, Port, DHCP, Version, Ping Test, IP Conf., and Uptime. Callouts on the right side of the table point to specific data points: DHCP status, Firmware version, Camera's uptime, Open IP configuration settings, Ping camera, Port information, Gateway address, Netmask address, Camera's MAC address, Part number, Camera's IP address, and Camera's name.

Network Setup

- To install the DW IP Finder, go to <http://www.digital-watchdog.com>
- Enter "DW IP Finder" on the search box at the top of the page.
- Go to the "Software" tab on the DW IP Finder page to download the installation file.
- Follow the installation to install the DW IP Finder. Open the DW IP Finder and click 'Scan Devices'. It will scan the selected network for all supported devices and list the results in the table. During the scan, the DW® logo will turn gray.

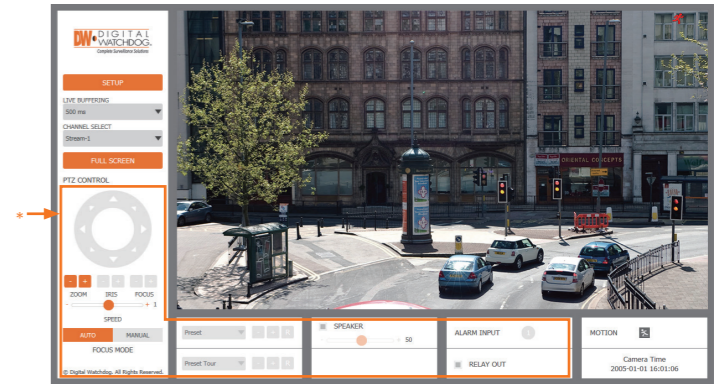
- When connecting to the camera for the first time, a password must be set. To set up a password for your new camera:
 - Check the box next to your new camera from the IP Finder's search results. You can select multiple cameras.
 - Click "Bulk Password Assign" on the left.
 - In the pop-up window, enter admin/admin in the current username and password fields. Enter a new username and password to the right.
 - Press "change" to apply all changes.

The image shows two screenshots from the software. The first is the 'Bulk Password Assignment' window, which has fields for 'Current Account' (Username and Password) and 'New Password' (New, Confirm, Hint), along with a 'Change' button. The second is the 'DW Camera Settings' window, which includes fields for Camera Name, MAC Address, IP Configuration Mode (DHCP or Static IP), IP Address, Netmask, Gateway, DNS, and Ports (Web Port, Control Port, Video Port, Audio Transmit, Audio Receive). It also has fields for Username and Password, and buttons for 'Restore default camera configuration', 'View Camera Website', 'Apply', 'Reboot', and 'Cancel'.

- Select a camera from the list by double-clicking on the camera's image or clicking on the 'Click' button under the IP Conf. column. The pop-up window will show the camera's current network settings, allowing admin users to adjust the settings as needed.
- To access the camera's web page, go to the IP Config page and click on the 'View Camera Website'.
- 'Port forwarding' has to be set in your network's router for external access to the camera.
- To save the changes made to the camera's setting, input the username and password of the camera and click Apply.

- Select DHCP to allow the camera to receive its IP address automatically from the DHCP server.
- Select "Static" to manually enter the camera's IP address, (Sub)Netmask, Gateway and DNS information.
* The camera's IP must be set to Static if connecting to Spectrum® IPVMS
- Contact your network administrator for more information.
- Default TCP/IP information: DHCP

STEP 5 – WEB VIEWER

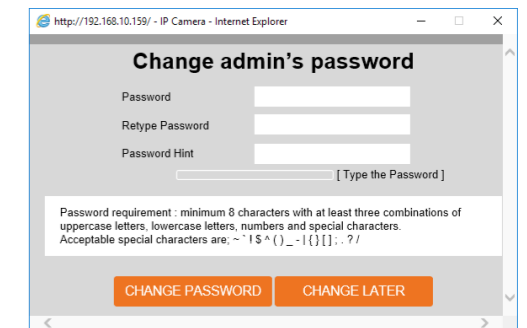


The GUI display may differ by camera models.

Once the camera's network settings have been setup properly, you can access the camera's web viewer using the DW IP Finder.

To open the camera's web viewer:

- Find the camera using the DW IP Finder.
- Double-click on the camera's view in the results table.
- Press the 'View Camera Website'. The camera's web viewer will open up in your default web browser.
- Enter the camera's username and password you setup in the DW IP Finder. If you did not setup a new username and password via the DW IP Finder, you will not be able to view video from the camera. A message will direct you to setup a new password for the camera to view video.



- When accessing the camera for the first time, install the VLC player for web files to view video from the camera.

NOTE: 32bit version of the VLC player must be installed. If you are using a 64bit system, uninstall the previous 64bit version and reinstall using the 32bit version.

NOTE: Some menu options may not be available based on the camera model. See the full manual for more information.