



File E350024

Vol X4

Auth. Page 1

Issued: 2019-06-18

Revised: 2020-09-14

FOLLOW-UP SERVICE PROCEDURE  
(TYPE R)

AUDIO/VIDEO, INFORMATION AND COMMUNICATION TECHNOLOGY EQUIPMENT  
(AZOT,AZOT7)

Manufacturer: SEE ADDENDUM FOR MANUFACTURER LOCATIONS

354116 (Party Site)  
Applicant: C-PRO ELECTRONICS CO LTD  
(352679-001) 5F 214 Galmachi-ro Jungwon-gu  
Seongnam-si Gyeonggi-do 13216 KOREA

2282350 (Party Site)  
Listee: Digital Watchdog (E507366)  
16220 Bloomfield Avenue  
Cerritos CA 90703

Use of the Mark

This Follow-Up Service Procedure authorizes the above Manufacturer(s) to use the marking specified by UL LLC, or any authorized licensee of UL LLC, including the UL Contracting Party, only on products when constructed, tested and found to be in compliance with the requirements of this Follow-Up Service Procedure and in accordance with the terms of the applicable service agreement with UL Contracting Party. The UL Contracting Party for Follow-Up Services is listed in the addendum to this Follow-Up Service Procedure ("UL Contracting Party"). UL Contracting Party and UL LLC are referred to jointly herein as "UL."

It is the responsibility of the Applicant, Manufacturer(s), and Listee/Classified Co. to make sure that only the products meeting the aforementioned requirements bear the authorized Marks of UL LLC, or any authorized licensee of UL LLC.

#### Additional Responsibilities

Additional responsibilities, duties and requirements for the Applicant and Manufacturers are defined under Additional Resources at the following web-site: <http://www.ul.com/fus> . Manufacturers without Internet access may obtain the current version of these documents from their local UL customer service representative or UL field representative. For assistance, or to obtain a paper copy of these documents or the Follow-Up Service Terms referenced below, please contact UL's Customer Service at <http://www.ul.com/aboutul/locations/> , select a location and enter your request, or call the number listed for that location.

#### Acceptance of Follow-Up Services

The Applicant and the specified Manufacturer(s) and any Listee/Classified Co. in this Follow-Up Service Procedure must agree to receive Follow-Up Services from UL Contracting Party. If your applicable service agreement is a Global Services Agreement ("GSA"), the Applicant, the specified Manufacturer(s) and any Listee/Classified Co. will be bound to a Service Agreement for Follow-Up Services upon the earliest by any Subscriber of a) use of the prescribed UL Mark, b) acceptance of the factory inspection, or c) payment of the Follow-Up Service fees. The Service Agreement incorporates such GSA, this Follow-Up Service Procedure and the Follow-Up Service Terms which can be accessed by clicking the following link: <http://services.ul.com/fus-service-terms>. In all other events, Follow-Up Services will be governed by and incorporate the terms of your applicable service agreement and this Follow-Up Service Procedure.

#### Use and Ownership of the Follow-Up Service Procedure

This Follow-Up Service Procedure, and any subsequent revisions, is the property of UL and is not transferable. This Follow-Up Service Procedure contains confidential information for use only by the Applicant, the specified Manufacturer(s), and representatives of UL and is not to be used for any other purpose. It is provided to the Subscribers with the understanding that it is not to be copied, either wholly or in part unless specifically allowed, and that it will be returned to UL, upon request.

#### Definition of Terms

Capitalized terms used but not defined herein have the meanings set forth in the GSA and the applicable Service Terms or any other applicable UL service agreement.

#### No Third Party Liability

UL shall not incur any obligation or liability for any loss, expense or damages, including incidental, consequential or punitive damages arising out of or in connection with the use or reliance upon this Follow-Up Service Procedure to anyone other than the above Manufacturer(s) as provided in the agreement between UL LLC or an authorized licensee of UL LLC, including UL Contracting Party, and the Manufacturer(s).

#### Certification Body

UL LLC has signed below solely in its capacity as the certification body to indicate that this Follow-Up Service Procedure fulfills the requirements for certification documentation issued by the certification body.

Bruce A. Mahrenholz  
Director  
Conformity Assessment Programs (CPO)  
UL LLC

LOCATION

1893743 (Party Site)  
C-PRO VIETNAM COMPANY LIMITED  
Dong Tho Industrial Cluster Dong Tho commune  
Yen Phong District Bac Ninh province VIETNAM  
Factory ID: CPROVN  
UL Contracting Party for above site is: UL GmbH

(352679-001) 354116 (Party Site)  
C-PRO ELECTRONICS CO LTD  
5F 214 Galmachi-ro Jungwon-gu  
Seongnam-si Gyeonggi-do 13216 KOREA  
Factory ID: CPROKR  
UL Contracting Party for above site is: UL GmbH



Multiple Listing Correlation Sheet

ML FILE NO. E472318

Issued: 2020-07-15

Revised: 2020-07-16

This page replaces the Multiple Listing Correlation Sheet between files E472318 and E350024, Vol X4.

WITHDRAWN

File		Volume	Page	Date:
E350024	Index	X4	1	23-Nov-20

## Index

<u>Product Type</u>	<u>Model/Type Reference</u>	<u>Report Reference #</u>	<u>Status</u>
Outdoor Vandal IP Camera	DWC-MF4Wi (a), DWC-MV84WiA, DWC-MF4Wi(a)C(b), DWC-MV84WiAC(b)  (a) can be any alphanumeric (b) can be any alphanumeric	E350024-A6001-UL	
Outdoor Bullet IP Camera	DWC-PB6M4T	E350024-A6002-UL	
Outdoor Vandal DOME IP Camera	DWC-PVF5M1TIR, DWC-PVF5M1TIRC(a).	E350024-A6003-UL	
Bullet IP Camera	DWC-MB44WiA, DWC-MB44WiAC(a), DWC-MB44Wi650, DWC-MB44Wi650C(a), DWC-MB44iALPR, DWC-MB44LPRC(a)  (a) - Presence/Capacity of SD Card (can be any alphanumeric)	E350024-A6004-UL	
Outdoor Vandal DOME IP Camera	DWC-MV44WiA(a), DWC-MV44WA(a)  (a) can be Blank or B (as enclosure color).	E350024-A6005-UL	
Outdoor Vandal DOME IP Camera	DWC-PVX16W, DWC-PVX16W4	E350024-A6006-UL	
Outdoor Bullet IP Camera	DWC-MB721M4TIR, DWC-MB721M6TIR, DWC-MB721M8TIR, DWC-MB721M4TIRDMP, DWC-MB721M6TIRDMP, DWC-MB721M8TIRDMP	E350024-A6007-UL	
Vandal IP Camera	DWC-PZ21M69T	E350024-A6008-UL	
IP CAMERA	DWC-MVA5Wi(a)T, DWC-MPVA5Wi(a)T	E350024-A6031-UL	
IP CAMERA	DWC-MVA2Wi(a)T, DWC-MPVA2Wi(a)T	E350024-A6033-UL	
IP CAMERA	DWC-MV72Di(a)T(b)	E350024-A6041-UL	
IP CAMERA	DWC-MD72Di(a)T(b)	E350024-A6042-UL	
IP CAMERA	DWC-MB62DiVT	E350024-A6043-UL	

## UL TEST REPORT AND PROCEDURE

<b>Standard:</b>	UL 62368-1, 3rd Ed, Issued: 2019-12-13 (Audio/video, information and communication technology equipment Part 1: Safety requirements) CAN/CSA C22.2 No. 62368-1:19, 3rd Ed, Issued: 2019-12-13 (Audio/video, information and communication technology equipment Part 1: Safety requirements)
<b>Certification Type:</b>	Listing
<b>CCN:</b>	AZOT, AZOT7 (Audio/video, Information and Communication Technology Equipment)
<b>Complementary CCN:</b>	N/A
<b>Product:</b>	IP CAMERA
<b>Model:</b>	DWC-MV72Di(a)T(b)
<b>Rating:</b>	12 Vdc, 0.31 A or PoE(802.3af), 0.11 A
<b>Applicant Name and Address:</b>	C-PRO ELECTRONICS CO LTD 5F 214 GALMACHI-RO JUNGWON-GU SEONGNAM-SI GYEONGGI-DO 13216 KOREA

This is to certify that representative samples of the products covered by this Test Report have been investigated in accordance with the above referenced Standards. The products have been found to comply with the requirements covering the category and the products are judged to be eligible for Follow-Up Service under the indicated Test Procedure. The manufacturer is authorized to use the UL Mark on such products which comply with this Test Report and any other applicable requirements of UL LLC ('UL') in accordance with the Follow-Up Service Agreement. Only those products which properly bear the UL Mark are considered as being covered by UL's Follow-Up Service under the indicated Test Procedure.

The applicant is authorized to reproduce the referenced Test Report provided it is reproduced in its entirety.

UL authorizes the applicant to reproduce the latest pages of the referenced Test Report consisting of the first page of the Specific Technical Criteria through to the end of the Conditions of Acceptability.

Any information and documentation involving UL Mark services are provided on behalf of UL LLC (UL) or any authorized licensee of UL.

Prepared By: Lawrence Lee / Project Handler      Reviewed By: SeulKi Park / Reviewer

### Supporting Documentation

The following documents located at the beginning of this Procedure supplement the requirements of this Test Report:

- A. Authorization - The Authorization page may include additional Factory Identification Code markings.
- B. Generic Inspection Instructions -
  - i. Part AC details important information which may be applicable to products covered by this Procedure. Products described in this Test Report must comply with any applicable items listed unless otherwise stated in the body of this Test Report.
  - ii. Part AE details any requirements which may be applicable to all products covered by this Procedure. Products described in this Test Report must comply with any applicable items listed unless otherwise stated in the body of each Test Report.
  - iii. Part AF details the requirements for the UL Certification Mark which is not controlled by the technical standard used to investigate these products. Products are permitted to bear only the Certification Mark(s) corresponding to the countries for which it is certified, as indicated in each Test Report.

### Product Description

IP CAMERA intended for indoor use and integrated wall or ceiling mount.

Electronic components were mounted on PWB, supplied by 12 Vdc or PoE (Supplied by ES1, LPS) and installed by instructed personnel.

### Model Differences

DWC-MV72Di(a)T(b) is basic model.

The symbol (a) and (b) can be Alphanumeric, hyphen or blank not affecting safety.

### Test Item Particulars

Product group	end product
Classification of use by	Instructed person
Supply Connection	not mains connected: ES1
Supply tolerance	None
Supply connection – type	12Vdc, PoE (Power over Ethernet)
Considered current rating of protective device	N/A
Equipment mobility	wall/ceiling-mounted
Over voltage category (OVC)	OVC I
Class of equipment	Class III
Special installation location	N/A
Pollution degree (PD)	PD 2
Manufacturer's specified Tma (°C)	50
IP protection class	IP 67
Power systems	not AC mains
Altitude during operation (m)	2000 m or less
Altitude of test laboratory (m)	2000 m or less
Mass of equipment (kg)	0.35

### Technical Considerations

- The product was submitted and evaluated for use at the maximum ambient temperature (Tma) permitted by the manufacturer’s specification of : 50°C
- The Risk Group of a lamp or lamp system (including LEDs) is : Exempt
- The following are available from the Applicant upon request : Installation (Safety) Instructions / Manual

**Additional Information**

4789627718  
 - Maximum Normal Load: Continuous operation with LED on.

**Additional Standards**

The product fulfills the requirements of: N/A

**Markings and Instructions**

Clause Title	Marking or Instruction Details
Equipment identification marking – Manufacturer identification	Listee’s or Recognized Company’s name, Trade Name, Trademark or File Number
Equipment identification marking – model identification	Model Number
Equipment rating marking – ratings	Input Ratings (voltage, frequency/dc, current/power) Output Ratings (voltage, frequency/dc, current/power)
Hard Copy	A. ATTENTION or IMPORTANT B. Please check 'Manuals' from our website, before connecting to the supply. C. Company website URL ( <a href="https://www.~~">https://www.~~</a> )
Website Manual-1	This product is intended to be supplied by a Listed Power Supply Unit marked “Class 2” or “LPS” or “PS2” and 12 Vdc, 0.31 A or PoE(802.3af), 0.11 A.
Website Manual-2	The wired LAN hub providing power over the Ethernet (PoE) in accordance with IEEE 802.3.af shall be a UL Listed device with the output evaluated as a Limited Power Source as defined in UL 60950-1 or PS2 as defined in UL 62368-1.

**Special Instructions to UL Representative**

N/A



<b>BD1.0</b>						
<b>TABLE: Production-Line Testing Requirements</b>						
<b>BD1.1</b>						
<b>Electric Strength Test Special Constructions – Refer to Generic Inspection Instructions, Part AC for further information.</b>						
Model	Component	Removable parts	Test probe location	Test V rms	Test V dc	Test Time, s
N/A	N/A	N/A	N/A	N/A	N/A	N/A
<b>BD1.2</b>						
<b>Earthing Continuity Test Exemptions – This test is not required for the following models:</b>						
All model						
<b>BD1.3</b>						
<b>Electric Strength Test Exemptions – This test is not required for the following models:</b>						
All model						
<b>BD1.4</b>						
<b>Electric Strength Test Component Exemptions – The following solid-state components may be disconnected from the remainder of the circuitry during the performance of this test.</b>						
All model						

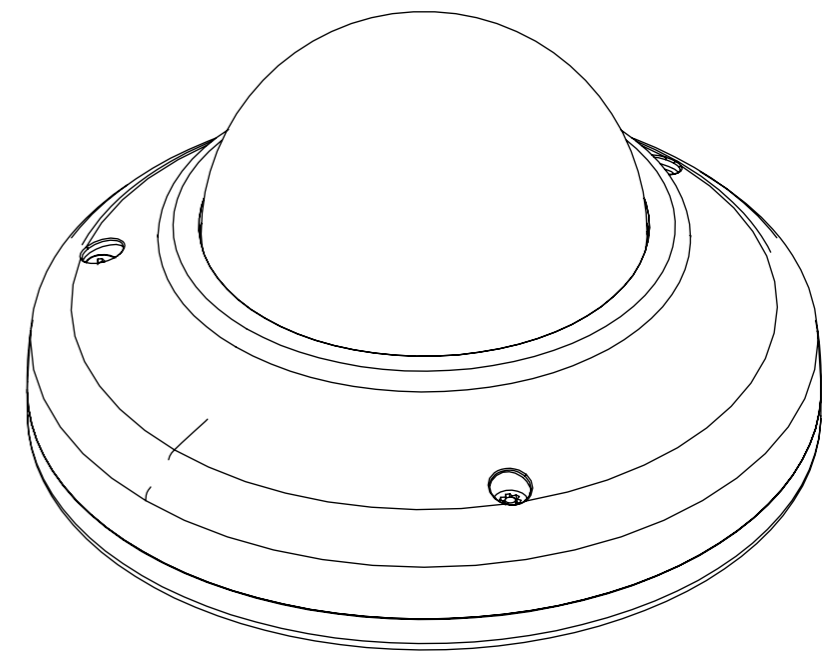
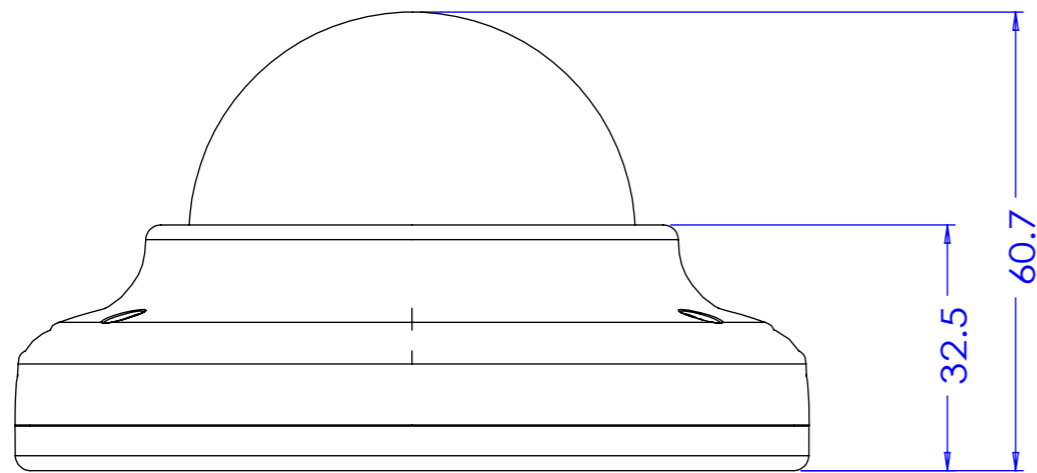
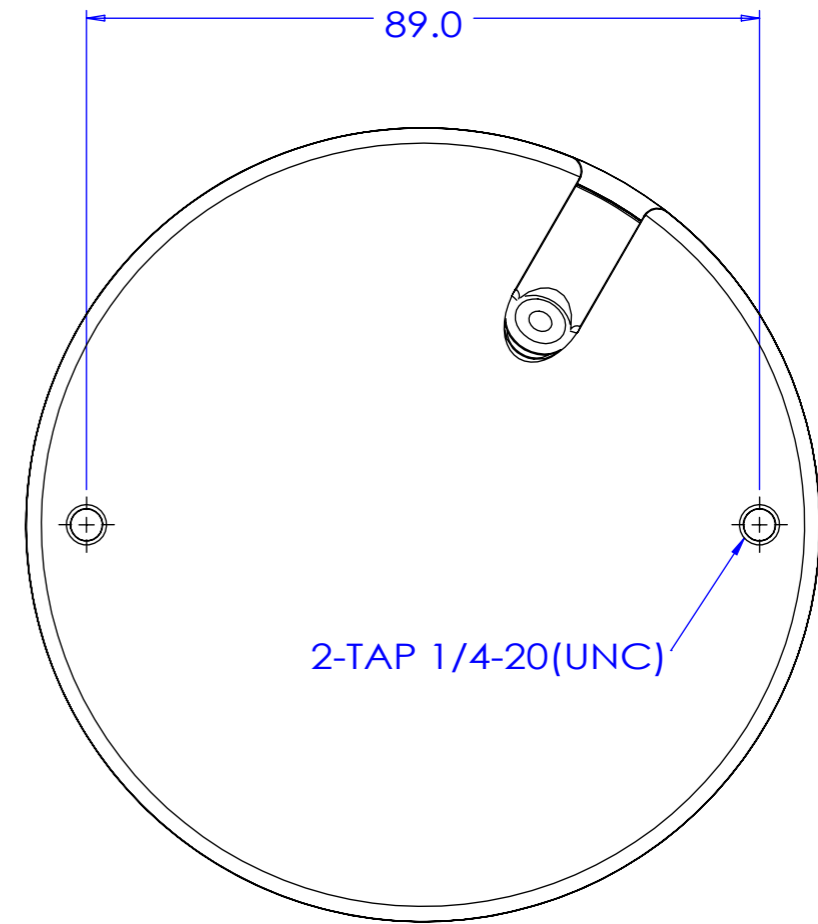
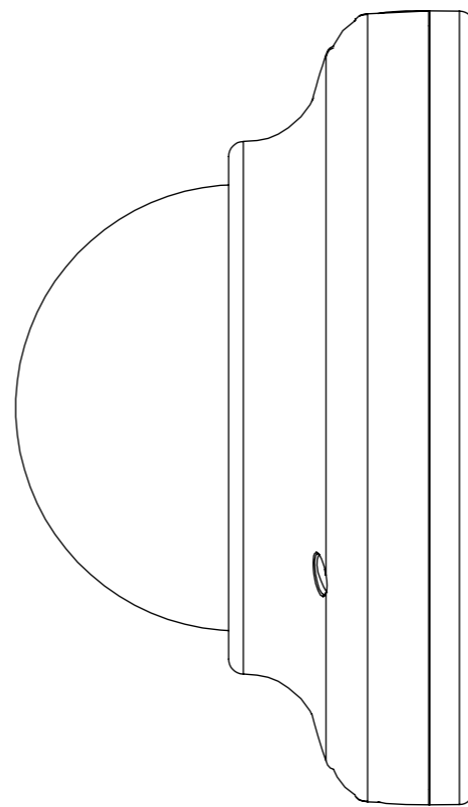
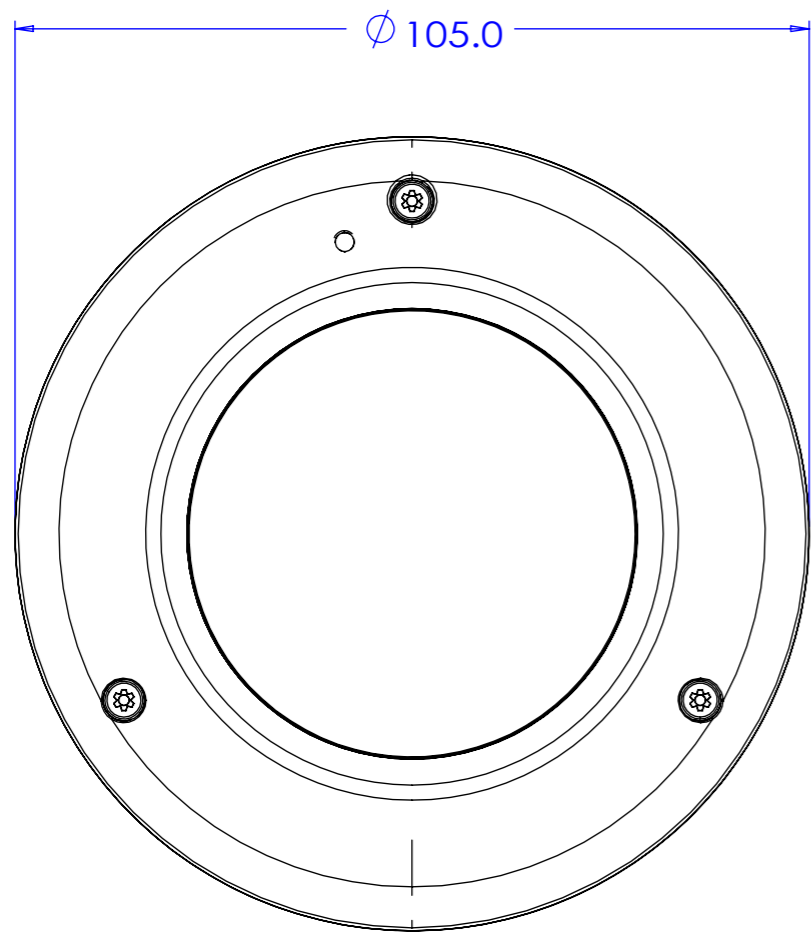
<b>BE1.0</b>					
<b>Sample and Test Specifics for Follow-Up Tests at UL</b>					
Model	Component	Material	Test	Sample (s)	Test Specifics
N/A	N/A	N/A	N/A	N/A	N/A


4.1.2	TABLE: List of critical components					Pass
Object / part No.	Manufacturer/ trademark	Type / model	Technical data	Product Category CCN(s)	Mark(s) of conformity	Supplement ID
Metal enclosure	Interchangeable	Interchangeable	Aluminum alloy, see enclosure for dimension.	-	-	
Plastic enclosure (Window)	Interchangeable	Interchangeable	Min. HB, see enclosure for dimension.	QMFZ2/8	UL/cUL	
Internal Plastic	Interchangeable	Interchangeable	Min. HB	QMFZ2	UL	
Transformer (Trans2)	BOB TECH	CP-1106A	130 deg. C, see enclosure for more detail.	-	-	
Transformer (Trans2) - Alternate	SH.E CO.	CP-1106A	130 deg. C, see enclosure for more detail.	-	-	
Opto-coupler (PC3)	EVERLIGHT ELECTRONICS CO LTD	EL357N	Double protection optical isolators, providing 3750 Vac isolation	FPQU2/8	UL/cUL (E214129)	
Opto-coupler (PC3) - Alternate	TOSHIBA ELECTRONIC DEVICES & STORAGE CORPORATION	P181 (f), (f) - May be followed by A through L, may be prefixed by TL.	Single protection optical isolators, providing 3750 Vac isolation	FPQU2/8	UL/cUL (E67349)	
Internal wiring	Interchangeable	Interchangeable	Low voltage, rated minimum 80 deg. C, 30 V, marked VW-1	AVLV2	UL	
Thermal pad	Interchangeable	Interchangeable	Min HB, Min 100 deg. C	QMFZ2	UL	
PWB	Interchangeable	Interchangeable	V-0, 130 deg. C	ZPMV2	UL	
Label	Interchangeable	Interchangeable	Suitable for use on each type of surface to which applied, rated for maximum surface temperature specified,	PGDQ2 or PGJI2	UL	

			or 50 deg. C if not specified.			
LED	HELIO Optoelectronics Corp.	XPEIFR-L2	Vf: 2.6 Vdc (Max.), wavelength: 850 nm (typical)	-	-	

## Enclosures

Type	Supplement Id	Description
Photographs	03-01	Front Veiw
Photographs	03-02	Rear View
Photographs	03-03	Internal View
Photographs	03-04	Image sensor board
Photographs	03-05	Main board top
Photographs	03-06	Main board bottom
Photographs	03-07	IR LED board
Diagrams	04-01	Diagram
Manuals	06-01	Manual
Miscellaneous	07-01	Dual language safety labeling CRD
Miscellaneous	07-02	Transformer (Trans2) Specification (BOB TECH)
Miscellaneous	07-03	Transformer (Trans2) Specification (SH.E CO)
Miscellaneous	07-04	Label



DATE	2015.04.06	SCALE	MATERIAL		DWG-NO.	REV.
	2015.04.06	1 : 1	-		-	-
	DESIGNED	CHECKED	APPROVED		DESCRIPTION	<b>MINI DOME</b> DIMENSION
	S.H.KIM					



**Default Login Information: admin | admin**

When logging into the camera for the first time, you will be prompted to set up a new password. You can set the new password using the DW® IP Finder™ software or directly from the camera's browser menu.

**WHAT'S IN THE BOX**

Quick Setup and Installation Guide		1 set	Bolt and Nuts 2pcs		1 set
Mounting Templates		1	Screws and Plastic Anchors - 2pcs		1 set
Waterproof Cap		1 set	Star Wrench		1

**NOTE:** Download all your support materials and tools in one place

- Go to: <http://www.digital-watchdog.com/resources>
- Search your product by entering the part number in the 'Search by Product' search bar. Results for applicable part numbers will populate automatically based on the part number you enter.
- Click 'Search'. All supported materials, including manuals and quick start guide (QSGs) will appear in the results.



**Attention:** This document is intended to serve as a quick reference for the initial set-up. It is recommended that the user read the entire instruction manual for complete and proper installation and usage.

**STEP 1 - PREPARING TO MOUNT THE CAMERA**

- The mounting surface must withstand five times the camera weight.
- Do not let the cables get caught in improper places or the electric line cover can be damaged. This may cause a short or fire.
- CAUTION:** These servicing instructions are for use by qualified service personnel only. To reduce the risk of electric shock do not perform any servicing other than that contained in the operating instructions unless you are qualified to do so.
- This product is intended to be supplied by a UL Listed Power Supply Unit marked "Class 2" or "LPS" or "PS2" and rated 12 Vdc, 0.31A min.
- The wired LAN hub providing power over the Ethernet (PoE) in accordance with IEEE 802-3af shall be a UL Listed device with the output evaluated as a Limited Power Source as defined in UL60950-1 or PS2 as defined in UL62368-1.
- Unit is intended for installation in a Network Environment 0 as defined in IEC TR 62102. As such, associated Ethernet wiring shall be limited to inside the building.
- For the installation process, remove the dome cover from the camera module by loosening the three (3) screws on the dome. Use the wrench provided with the camera.
- Using the mounting template sheet or the camera itself, mark and drill the necessary holes in the wall or ceiling.

**STEP 2 - POWERING THE CAMERA**

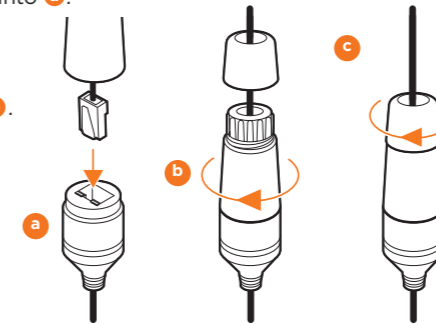
Pass the wires through and make all the necessary connections.

- NETWORK CONNECTIONS** - If you are using a PoE switch, connect the camera using an Ethernet cable for both data and power.
- NETWORK CONNECTIONS** - If you are using a non-PoE switch, connect the camera to the switch using an Ethernet cable for data transmission and use a power adapter to power the camera.

Models	Power requirements	Power consumption
DWC-MV72Di4TW DWC-MV72Di28T	DC 12V, PoE IEEE 802.3af Class2. (Adapter not included)	DC12V: max 3.7W PoE: max 5.4W

**STEP 3 - INSTALLING THE CAMERA**

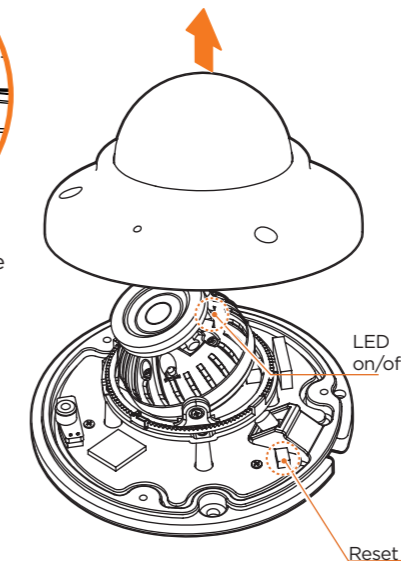
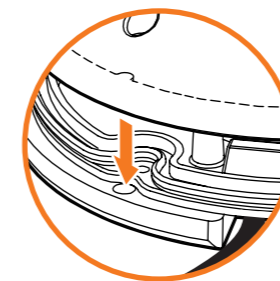
- Attach the main body to the mount bracket by tightening the lock screw.
- To use the camera's waterproof wiring:
  - Install the LAN cable into **a**.
  - b** will be assembled to **a** with a 1/4 turn.
  - Thread **c** tightly to **b**.



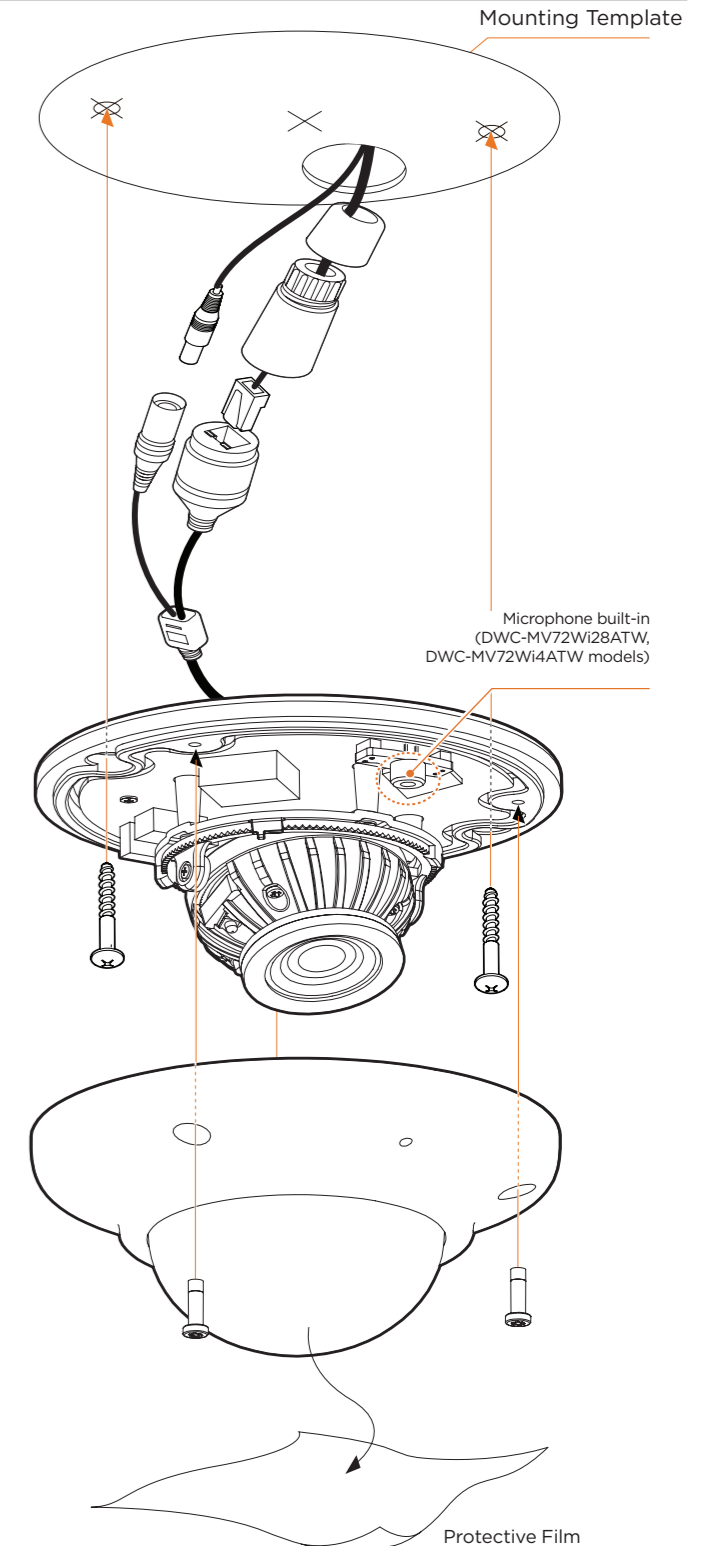
**NOTE:** To ensure moisture seal, make sure the o-ring is in place between **a** and **b**. In extreme environments use of an outdoor rated sealer is recommended.

**NOTE:** When using the waterproof cap, crimp the RJ45 connector after passing the cable through the waterproof cap.

- The camera is equipped with a manual IR activation button. You can choose to disable the camera's IR LEDs when the installation environment requires so.
- Adjust the camera's lens position by rotating the camera on its three-axis gimbal.
- When assembling the dome back on the camera, align the screw holes in the dome and the camera's base.



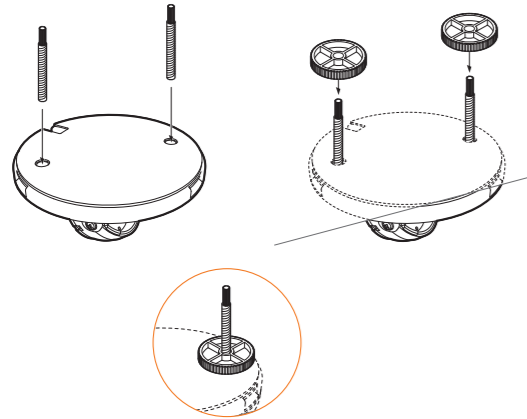
**Resetting the camera:** To reset the camera's settings, including the network settings, use the tip of a paper clip or a pencil. Press the reset button for five (5) seconds.



### STEP 3 - INSTALLING THE CAMERA (cont.)

Installation using the mounting bolt and screws

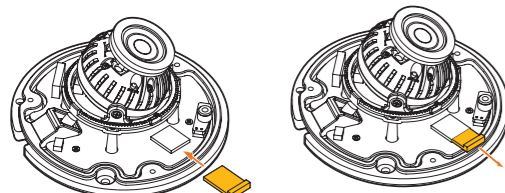
- Using the mounting template, mark and drill the necessary holes on the mounting surface.
- Secure the two long mounting screws to the camera's base.
- Pass the wires through and make all the necessary connections.
- Rotate the locking disks over the screws until the camera holds tightly from the mounting surface.



### STEP 4 - MANAGING THE SD CARD

The following models include a local SD card slot:  
 DWC-MPV75Wi series, DWC-MV75Wi series, DWC-MPV72Wi series,  
 DWC-MV72Wi series

- To install the camera's SD Card, locate the SD card slot in the back of the camera module.
- Insert a class 10 SD card into the SD card slot by pressing the SD card slot.
- To remove the SD Card, press the card inward to release from the card slot.



Insert SD Card      Remove SD Card

### STEP 5 - DW® IP FINDER™

Use the DW IP Finder software to scan the network and detect all MEGApix® cameras, set the camera's network settings or access the camera's web client.

Thumbnail view

Select network to scan

Filter results

Scan network

Show/hide thumbnail view

Refresh thumbnail view

Bulk IP assignment

Bulk password assignment

Firmware upgrade

DHCP status

Firmware version

Camera's uptime

Open IP configuration settings

Ping camera

Port information

Gateway address

Netmask address

Camera's MAC address

Part number

Camera's IP address

Camera's name

Name	IP Address	Model	MAC Address	Netmask	Gateway	Port	DHCP	Version	Ping Test	IP Conf.	Uptime
DWC-MP-Z30X	192.168.50.34	DWC-MP-Z30X	00:07:0A:19:10:1A	255.255.255.0	192.168.150.1	80	Disabled	1.9.94-X2_release	Ping	Click	
DWC-MV-4W4	192.168.50.40	DWC-MV-4W4	00:0D:F3:21:53:8F	255.255.255.0	192.168.150.1	80	Disabled	A2.01.02_20180619	Ping	Click	28day 14hrs
DWC-PZ-1M69T	192.168.50.41	DWC-PZ-1M69T	00:0D:F3:21:29:21	255.255.255.0	192.168.150.1	80	Disabled	A5.01.03_20180403	Ping	Click	39day 15hrs 54mins
DWC-PV-16W4	192.168.50.42	DWC-PV-16W4	00:0D:F3:21:5C:AD	255.255.255.0	192.168.150.1	80	Disabled	A3.01.01_20180309	Ping	Click	56day 16hrs
DWC-PF-1M1TR	192.168.50.61	DWC-PF-1M1TR	00:0A:61:1A:00:14	255.255.255.0	192.168.150.1	80	Disabled		Ping	Click	--
DWC-PV-16M2TR	192.168.150.62	DWC-PV-16M2TR	00:0A:51:1A:26:E7	255.255.255.0	192.168.50.1	80	Disabled		Ping	Click	--
DWC-MF-4W4	192.168.150.63	DWC-MF-4W4	00:0D:F3:20:F8:60	255.255.255.0	192.168.150.1	80	Disabled	A2.01.02_20180619	Ping	Click	28day 14hrs

#### Network Setup

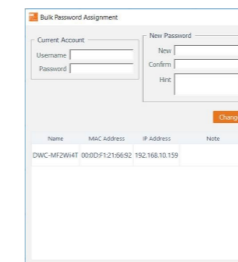
- To install the DW IP Finder, go to <http://www.digital-watchdog.com>
- Enter "DW IP Finder" on the search box at the top of the page.
- Go to the "Software" tab on the DW IP Finder page to download the installation file.
- Follow the installation to install the DW IP Finder. Open the DW IP Finder and click 'Scan Devices'. It will scan the selected network for all supported devices and list the results in the table. During the scan, the DW® logo will turn gray.

- Select DHCP to allow the camera to receive its IP address automatically from the DHCP server.
- Select "Static" to manually enter the camera's IP address, (Sub) Netmask, Gateway and DNS information.  
\* The camera's IP must be set to Static if connecting to Spectrum® IPVMS
- Contact your network administrator for more information.

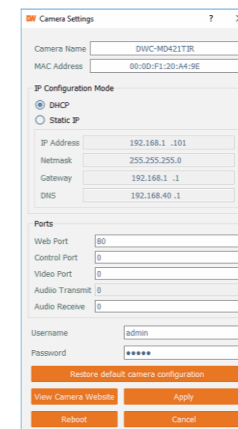
Default TCP/IP information: DHCP

- When connecting to the camera for the first time, a password must be set. To set up a password for your new camera:
  - Check the box next to your new camera from the IP Finder's search results. You can select multiple cameras.
  - Click "Bulk Password Assign" on the left.

- In the pop-up window, enter admin/admin in the current username and password fields. Enter a new username and password to the right.
- Press "change" to apply all changes.

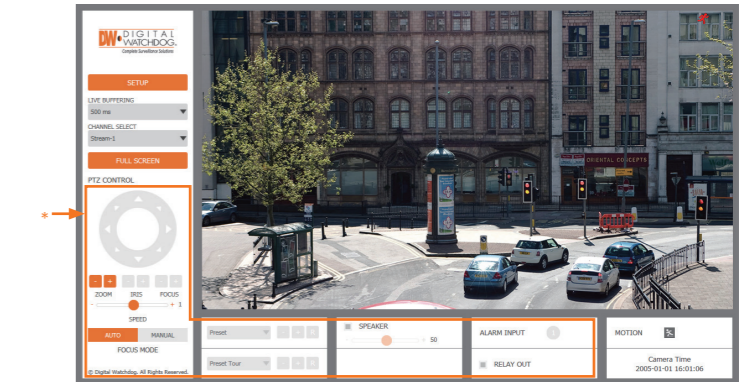


- Select a camera from the list by double-clicking on the camera's image or clicking on the 'Click' button under the IP Conf. column. The pop-up window will show the camera's current network settings, allowing admin users to adjust the settings as needed.
- To access the camera's web page, go to the IP Config page and click on the 'View Camera Website'.
- To save the changes made to the camera's setting, input the username and password of the camera and click Apply.



'Port forwarding' has to be set in your network's router for external access to the camera.

### STEP 6 - WEB VIEWER

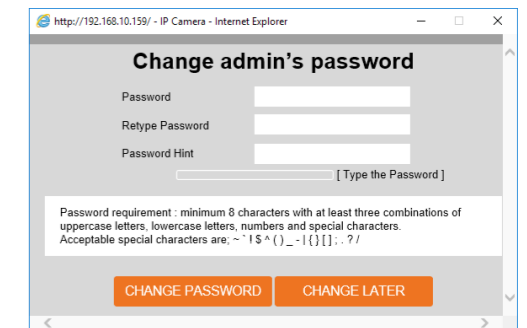


The GUI display may differ by camera models.

Once the camera's network settings have been setup properly, you can access the camera's web viewer using the DW IP Finder.

To open the camera's web viewer:

- Find the camera using the DW IP Finder.
- Double-click on the camera's view in the results table.
- Press the 'View Camera Website'. The camera's web viewer will open up in your default web browser.
- Enter the camera's username and password you setup in the DW IP Finder. If you did not setup a new username and password via the DW IP Finder, you will not be able to view video from the camera. A message will direct you to setup a new password for the camera to view video.



- When accessing the camera for the first time, install the VLC player for web files to view video from the camera.

**NOTE:** 32bit version of the VLC player must be installed. If you are using a 64bit system, uninstall the previous 64bit version and reinstall using the 32bit version.

**NOTE:** Some menu options may not be available based on the camera model. See the full manual for more information.





Standard SCC Requirements and Guidance - Product Certification Body Accreditation Program Edition/Revision \_\_\_\_\_ Date 2016-04-06

Clause/Par. Reference and Construction Requirement	Comply			Comments/Measurements	Inst. ID No.
	Yes	No	N/A		
9.2.3 CBs shall include dual language safety labeling within their product certification requirements, if so required by the standard or by the authority having jurisdiction.					
The manufacturer has confirmed they have the ability to include English and French safety labeling exactly as specified in the product standard; or, if NOT specified in the product standard, the ability to include English and French safety labelling consisting of markings associated with the signal words DANGER, WARNING, and CAUTION when required.	X			The ability of the manufacturer to include these markings was verified by either (1) visual inspection of the markings on the actual product or (2) draft of labels that will be applied to the product or (3) written confirmation from the customer of the markings that will appear on the product. If the product standard provides the exact translation, the evidence must match the exact translation. If the product standard does NOT provide the exact translation, the evidence must simply include both the English and French text (no verification of translation is required).	N/A

Compliance

Review

Conducted by: \_\_\_\_\_

Date \_\_\_\_\_

Printed Name

Signature

Clause/Par. Reference and Construction Requirement	Comply			Comments/Measurements	Inst. ID No.
	Yes	No	N/A		
Manufacturer has a method to manage distribution of products, IF all products with the Canadian certification mark are NOT going to include the dual language.	X			<p>Evaluation staff are to only verify that the manufacturer has a method to control distribution.</p> <p>Evaluation staff do not have to record the method of control nor are the evaluation staff expected to verify the effectiveness of the method of control. This requirement to verify that a method exists will be noted in the FUS Procedure. The UL Field Engineer will verify the method during surveillance.</p> <p>If the manufacturer is going to include the dual language on all products with the Canadian certification mark, then this item is N/A; no further action required.</p>	N/A

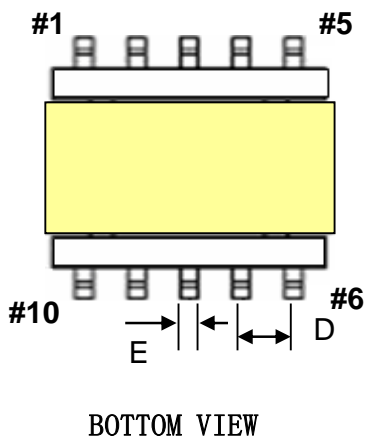
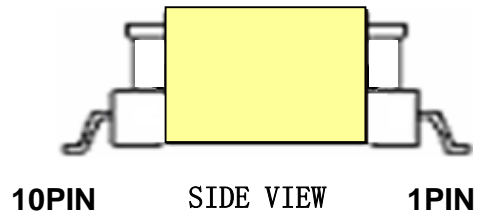
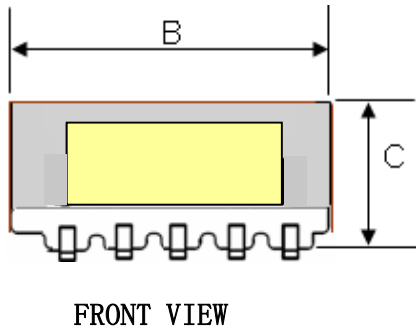
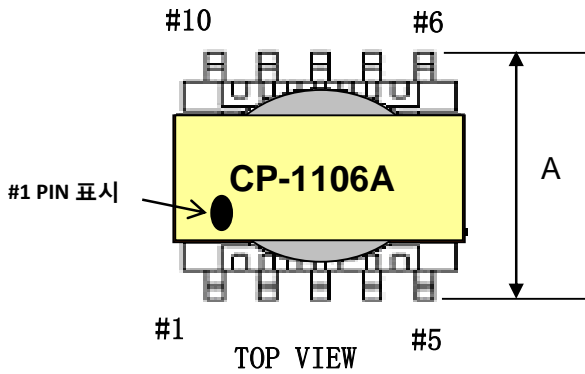


# SPECIFICATION

CUSTOMER:	C-PRO ELECTRONICS CO., LTD.		
CUSTOMER P/N:	CP-1106A	TYPE:	ER11.5
BOB TECH P/N:		REV:	A

## 1. SCHEMATIC DIAGRAM (UNIT:mm)

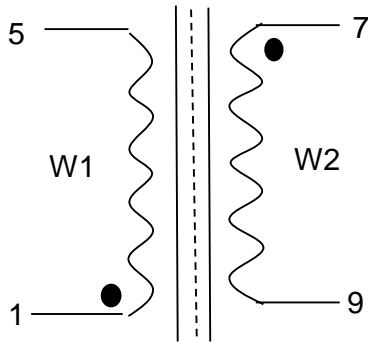
dimension and tolerance		
A	13.0	MAX
B	12.5	MAX
C	6.0	MAX
D	2.0	±0.3
E	0.7	±0.1



# SPECIFICATION

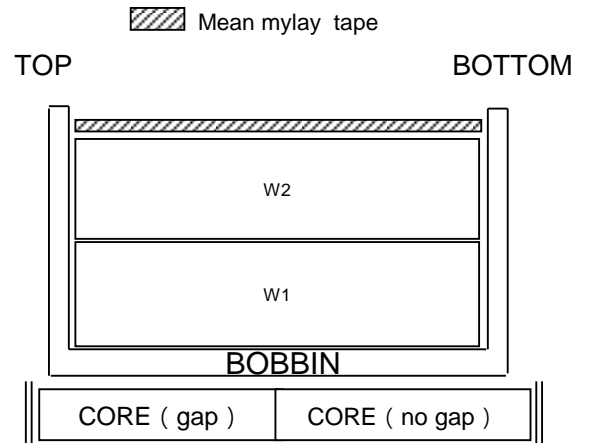
CUSTOMER:	C-PRO ELECTRONICS CO., LTD.		
CUSTOMER P/N:	CP-1106A	TYPE:	ER11.5
BOB TECH P/N:		REV:	A

## 2. CONSTRUCTION



"●"Mean Start

## 3. CUTAWAY VIEW



## 4. WINDING TABLE

No	S --- F	wire or other	turns		winding way	wind tape	turns	remark
W1	1 --- 5	2UEW 0.28Φ	18		SOLENOID			
W2	7 --- 9	2UEW 0.28Φ	9		SOLENOID	P/S TAPE 0.025T×2.0	2	

CORE wrapping tape: 25u\*5.5mm (yellow) 2turns

## 5. ELECTRICAL CHARACTERISTIC

NO.	ITEM	TERMINAL	SPEC.	REMARK
1	INDUCTANCE	1---5	47uH±10%	LCR-3302 1KHz, 1V
2	HI-POT	P COIL---S COIL	AC 0.5KV/SEC	AN9632W 5mA
		COIL---CORE		
3	INDUCTANCE RESISTANCE	P COIL---S COIL	100MΩ MIN	AN9632W DC 500V
		COIL---CORE		

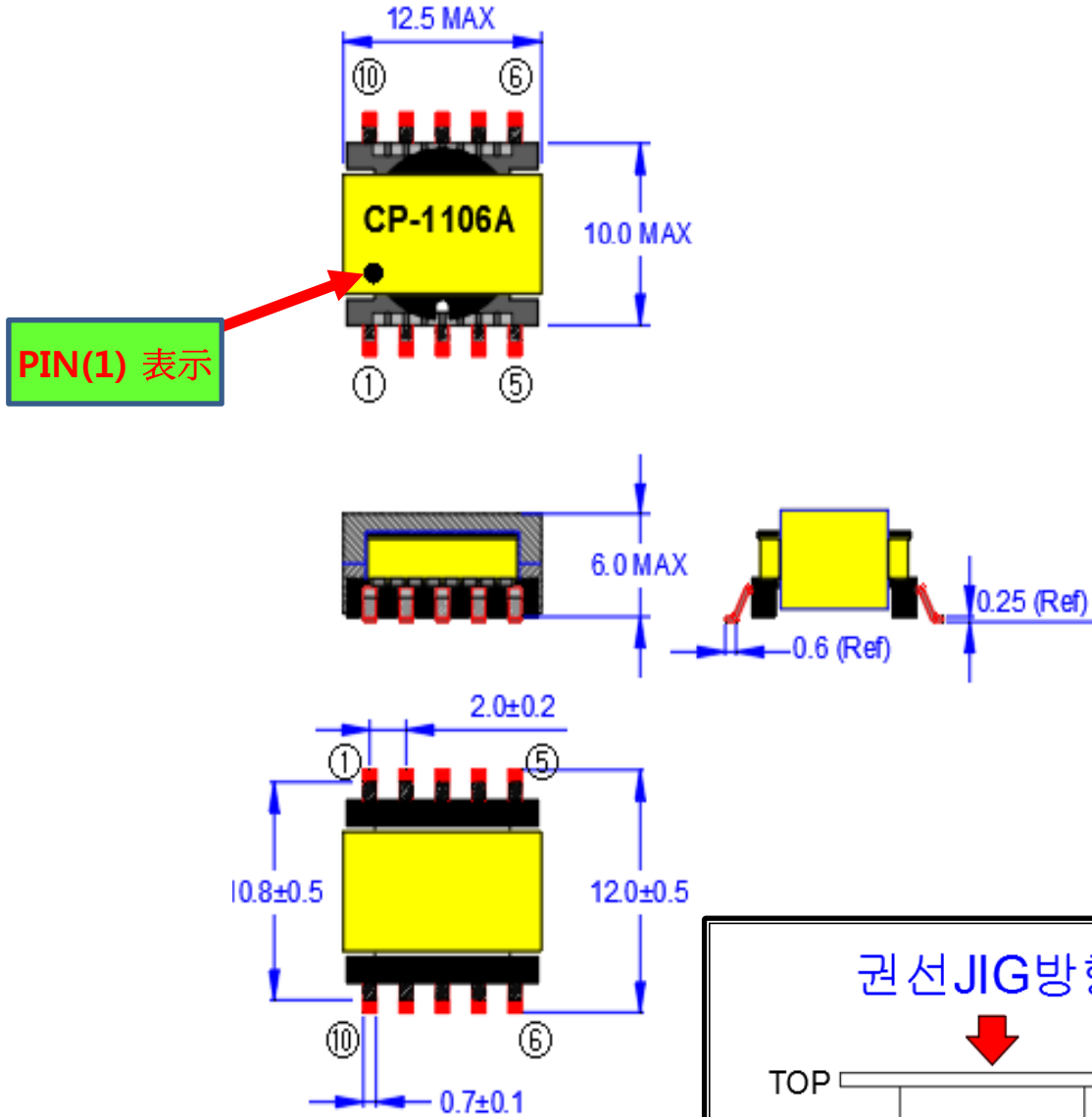
## 6. MATERIALS LIST

NO.	COMPONENT	MATERIALS	MANUFACTURES	REMARKS
1	CORE	P4	ACME ELECTRONICS CORPORATION OR EQV	N/A
2	BOBBIN	T375J	CHUANG CHUN PLASTICS CO.,LTD OR EQV	E59481
3	WIRE	UEW	SHANDONG SAINT ELECTRIC CO LTD OR EQV	E194410
4	INSULATION TAPE	CT	JINGJIANG YAHUA PRESSURE SENSITIVE GLUE CO LTD OR EQV	E165111
5	VARNISH	319-5F	JIANGYIN CITY DENG FENG ELECTRICAL MATERIAL CO LTD OR EQV	E239866

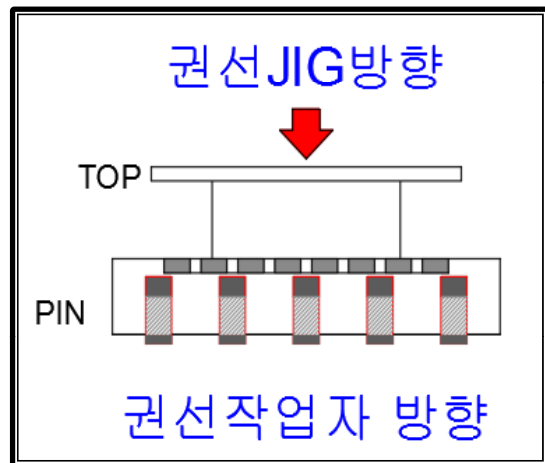
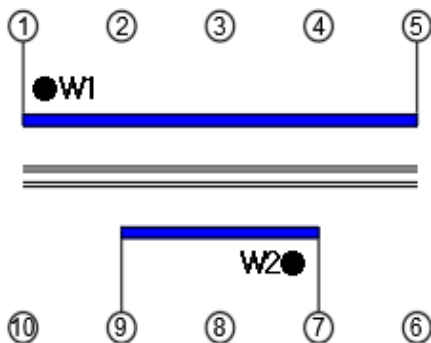


Model name.	Parts name.	Specification.	Rev. No.	Date .	Page-No.
SMD TRANSFORMER	CP-1106A	SMD EER11.5(V)-10P	0	2020-09-15	3 / 7

1. DIMENSION (UNIT : mm)



2. SCHEMATIC DIAGRAM (Bottom-View)



**Remove-Pin(無)**

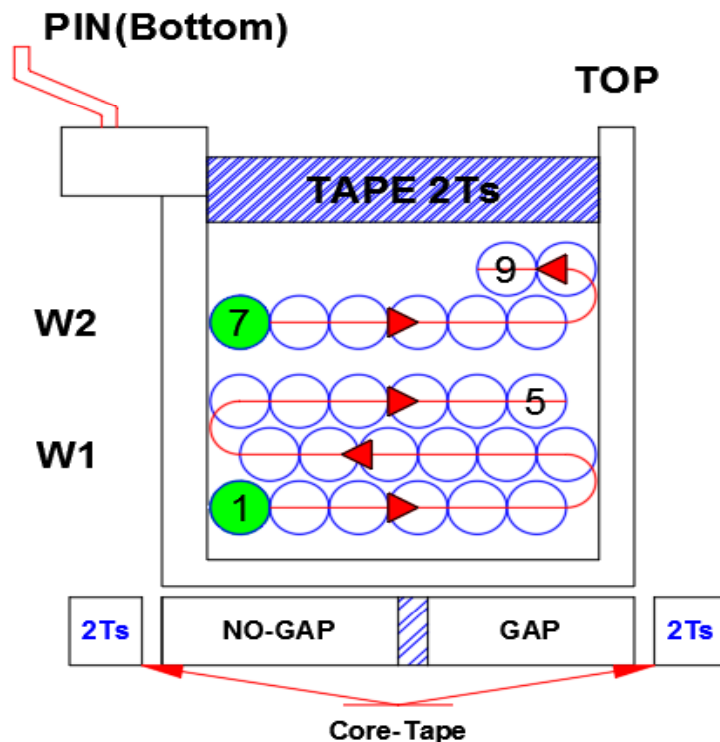
Model name.	Parts name.	Specification.	Rev. No.	Date .	Page-No.
SMD TRANSFORMER	CP-1106A	SMD EER11.5(V)-10P	0	2020-09-15	4 / 7

### 3. WINDING SPECIFICATION

Winding No	Terminal		Barrier (t / W)		Winding			Insulation Tape			
	S	F	PRI (1~5)	SEC (6~10)	Class & gage	Ts	Method	Thick(t)/Width(mm)		Ts	
W1	1	5	X	X	2UEW $\phi$ 0.28x 1P	18	SOLENOID	X		X	
W2	7	9	X	X	2UEW $\phi$ 0.28x 1P	9	SOLENOID	0.025t / 2.0mm	(YL)	2	
CORE FIXING (CENTER AIR GAP - GAP-CORE-VIEW : TOP)								0.025t / 6.0mm	(YL)	2	
**Attention**		1) TUBE-Pin: (無)			2) Remove-Pin: (無)			3) Cutting-pin:(無)			

### 4. ELECTRICAL CHARACTERISTIC

No.	ITEM	Terminal	Spec	Related conditions
1	Inductance	PIN(1-5)	47uH $\pm$ 10% at 1KHz/1V	LCR METER HIOKI 3522
2	Withstanding Voltage	PRI-SEC	AC 0.5kVrms 1SEC	TOS-8850
		PRI-CORE	AC 0.5kVrms 1SEC	Cut of Current5mA
		SEC-CORE	AC 0.5kVrms 1SEC	
3	Insulation resistance	PRI-SEC	100M $\Omega$ min at DC 500v	MEGA OHM METER





Model name.	Parts name.	Specification.	Rev. No.	Date .	Page-No.
SMD TRANSFORMER	CP-1106A	SMD EER11.5(V)-10P	0	2020-09-15	5 / 7

## 5. MATERIAL LIST

No	ITEM	Material & Dimension	Manufacturer	UL Safety No.
1	CORE	EER11.5 P4 TD4	ACME ELECTRONICS CO.,LTD. ZHEJIANG TONGDA MAGNETISM INDUSTRY CO.,LTD. or Equivalent.	not applicable
2	BOBBIN	PHENOL T375HF SMD-TYPE EER11.5(V)-10P(5+5)	CHANG CHUN PLASTICS CO., LTD. or Equivalent.	E59481
3	Polyurethane Enamelled WIRE	UEW/155 $\Phi$ 0.28	ZHEJIANG HONGBO TECHNOLOGY CO.,LTD. ZHEJIANG WUGU COPPER INDUSTRY CO.,LTD SHANDONG SAINT ELECTRIC CO.,LTD or Equivalent.	E221719 E336659 E194410
4	Insulation TAPE	PS 0.025t / 2.0mm (YL)	GUANGDONG KANGLI NEW ENERGY MATERIAL TECHNOLOGY CO.,LTD. JINGJIANG YAHUA PRESSURE SENSITIVE GLUE CO.,LTD. or Equivalent.	E511186 E165111
5	CORE FIXING TAPE	PS 0.025t / 6.0mm (YL)	GUANGDONG KANGLI NEW ENERGY MATERIAL TECHNOLOGY CO.,LTD. JINGJIANG YAHUA PRESSURE SENSITIVE GLUE CO.,LTD. or Equivalent.	E511186 E165111
6	SOLDER	LEAD-FREE Sn98+Cu2	TIAJIN SONGBEN ENVIRONMENTAL SCIENCE & TECH CO.,LTD. or Equivalent.	not applicable
7	VARNISH	T4260(a)	SUZHOU TAIHU ELECTRIC ADVANCED MATERIAL CO.,LTD. JIANGYIN CITY DENG FENG ELECTRICAL MATERIAL CO, LTD or Equivalent.	E228349 E239866



MODEL No. DWC-MV72Di6T

INPUT: 12V DC, 0.31A/PoE(802.3af)0.11 A



S/N. 1904300001



CPROVN

MADE IN VIETNAM

IP67



US LISTED

I.T.E E507366







