



DWC-MPTZ230XTW



Default Login Information: admin | admin

When logging into the camera for the first time, you must setup a new password. You can set the new password using the DW® IP Finder™ software or directly from the camera's browser menu.

WHAT'S IN THE BOX

Quick setup and download guides		1	Star wrench		1
PoE injector		1	Moisture absorber and installation guide (recommended)		1 set
Terminal block		1			

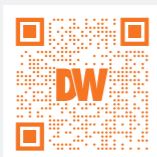
ACCESSORIES REQUIRED TO INSTALL THE CAMERA (SOLD SEPARATELY)

Wall mount bracket: DWC-P230WMW	Ceiling mount bracket: DWC-P230CMW	Flush mount: DWC-P230FMW	Parapet mount: DWC-PZPARAM
------------------------------------	---------------------------------------	-----------------------------	-------------------------------

NOTE: Mounting accessories are required and sold separately.

NOTE: Download all your support materials and tools in one place.

- Go to: <http://www.digital-watchdog.com/resources>
- Search your product by entering the part number in the 'Search by Product' search bar. Results for applicable part numbers will populate automatically based on the part number you enter.
- Click 'Search'. All supported materials, including manuals and quick start guide (QSGs) will appear in the results.



Attention: This document is intended to serve as a quick reference for the initial set up. It is recommended that the user read the entire instruction manual for complete and proper installation and usage.

STEP 1 - PREPARING TO MOUNT THE CAMERA

- The mounting surface must bear five times the weight of your camera.
- Do not let the cables get caught in improper places or the electric line cover be damaged. This may cause a breakdown or fire.
- Before the installation, remove the lens protection cap and tape.
- Install the moisture packet in the base of the camera module.**

- Remove the moisture absorber from the packaging.
- Place the moisture absorber under the camera's lens module as shown in the picture below.

NOTE: The camera will generate enough heat to dry moisture during operation. In most cases it will not need the moisture absorber for more than the first day. In cases where the camera can experience a moisture issue, users must keep the moisture absorber in the camera. The moisture absorber has an approximately 6-month life cycle, varying depending on the environment.

WARNING: It is highly recommended that you install the moisture absorber when mounting the camera. The moisture absorber prevents moisture from being captured inside the camera's housing, which may cause image performance issues and damage the camera.

- The camera requires a mounting accessory, sold separately, to complete the installation. Using the accessory's mounting template, mark and drill the necessary holes in the mounting surface.

STEP 2 - POWERING THE CAMERA

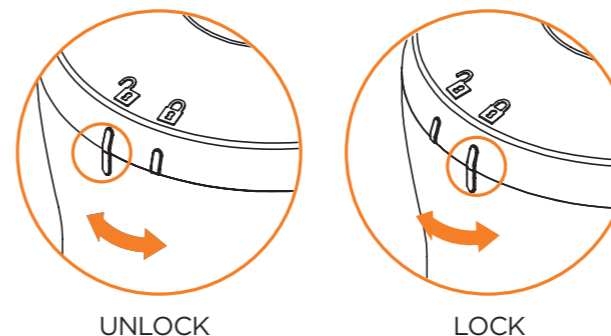
Pass the wires through and make all necessary connections. See STEP 4 for more information.

- When using a PoE Switch or the PoE injector included with the camera, connect the camera using an Ethernet cable for both data and power.
- When not using a PoE Switch or the PoE injector included with the camera, connect the camera to the switch using an Ethernet cable for data transmission and use a power adapter to power the camera.

Power requirements	Power consumption
PoE IEEE 802.3bt class5 (PoE injector included), DC24V, AC24V	DC24V: 40W, 1666mA AC24V: 35W, 1485mA PoE: 42W, 1750mA

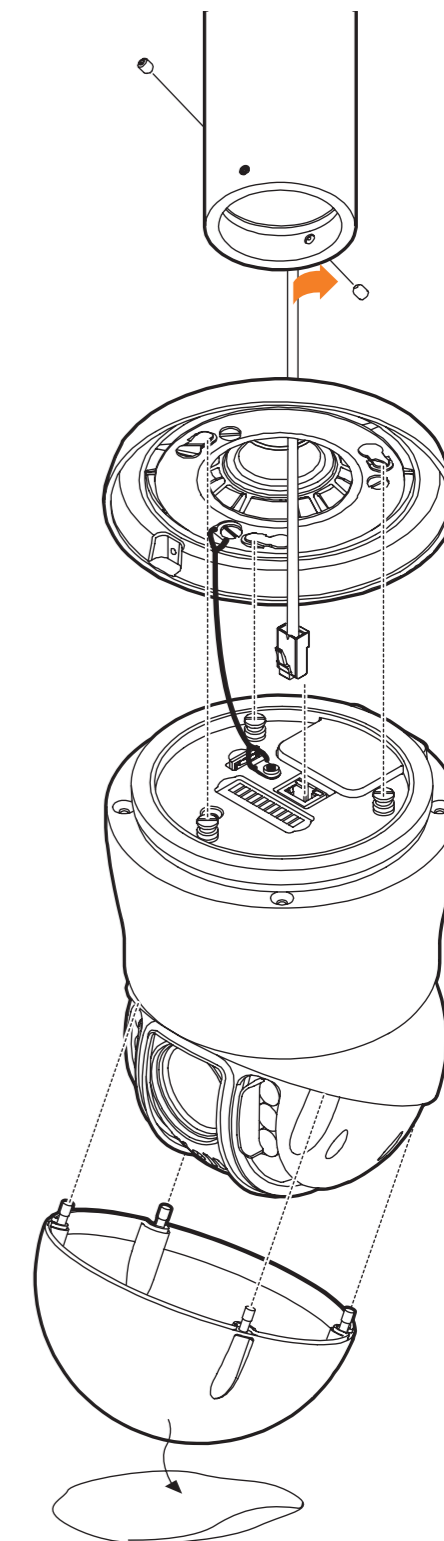
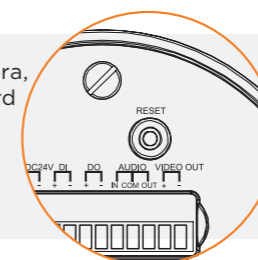
STEP 3 - INSTALLING THE CAMERA

- Install the mounting accessory (sold separately) to the mounting surface according to the installation guide.
- Pass wires through the mounting bracket.
- Connect the camera's base into the mounting accessory's neck, and secure using the screws on the side of the mounting accessory neck.
- Open the camera's base by rotating the base clockwise to the unlock position. Make sure the camera's safety wire is connected between the camera base and the camera module.

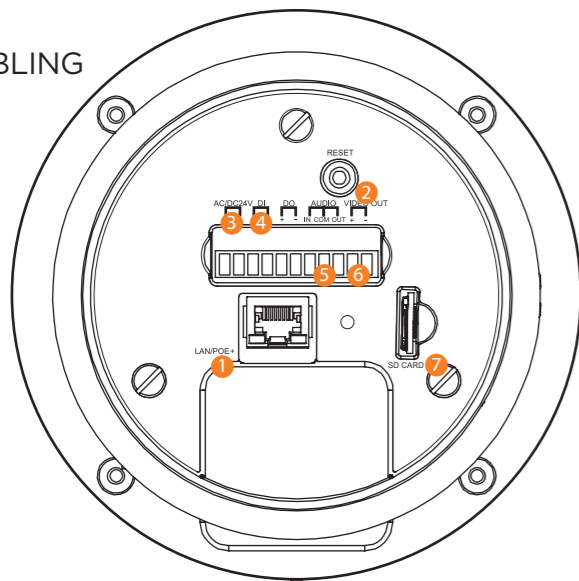


- Connect all wires to the camera. See STEP 2 and STEP 4 for more information.
- Attach the camera's body to the base and mounting accessory by rotating the base counter-clockwise to the lock position.
- Place the dome on the camera module by securing the screws at the base of the dome.
- Remove the protection film when the installation is complete.

Resetting the camera: To reset the camera, press the reset button in the control board at the base of the camera. Pressing the button for five (5) seconds will initiate a camera-wide reset of all the settings, including the network settings.



STEP 4 - CABLING

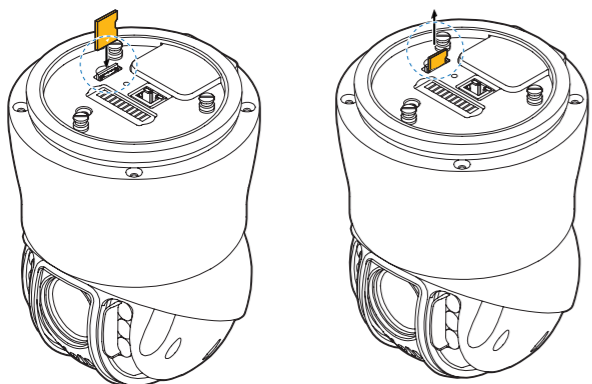


No	Connector	Description
1	Network connection	To connect an RJ45 cable to the camera. See STEP 2
2	Reset button	Reset the camera to its default settings
3	Power	When using a non-PoE switch, connect the camera to an adequate power adapter to power the camera.
4	Alarm input and output	Connect an external sensor input and alarm output to the camera's terminal block.
5	Audio input and output	Use the camera's audio-in port to connect a microphone or "line out" port of an amplifier.
6	Video output	Use the local video output for a camera image preview during the installation.
7	SD card slot	Insert an SD card for local recording. See STEP 5

STEP 5 - MANAGING THE SD CARD

Use the diagram below to connect external devices such as audio and alarm inputs and outputs to the camera.

- To install the camera's SD Card, locate the SD card slot at the base of the camera.
- Insert a class 10 SD card into the SD card slot by pressing the SD card into the slot until it clicks into position.
- To remove the SD card, press the card inward to release it from the card slot.

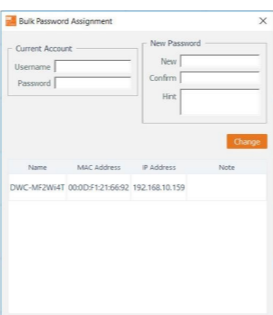


STEP 6 - DW® IP FINDER™

Use the DW® IP Finder™ software to scan the network and detect all MEGApix® cameras, set the camera's network settings or access the camera's web client.

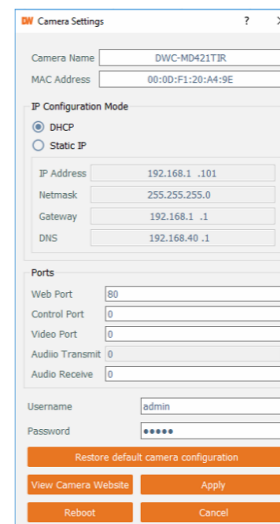
Network Setup

- To install the DW IP Finder, go to: <http://www.digital-watchdog.com>
- Enter "DW IP Finder" on the search box at the top of the page.
- Go to the "Software" tab on the DW IP Finder page to download the installation file.
- Follow the installation to install the DW IP Finder. Open the DW IP Finder and click 'Scan Devices'. It will scan the selected network for all supported devices and list the results in the table. During the scan, the DW® logo will turn gray.
- When connecting to the camera for the first time, a password must be set. To set up a password for your camera:
 - Check the box next to the camera in the IP Finder's search results. You can select multiple cameras.
 - Click "Bulk Password Assign" on the left.
 - Enter admin/admin for the current username and password. Enter a new username and password to the right. Passwords must have a minimum of 8 characters with at least 4 combinations of uppercase letters, lowercase letters, numbers and special characters. Passwords cannot contain the user ID.
 - Click "change" to apply all changes.
- Select a camera from the list by double-clicking

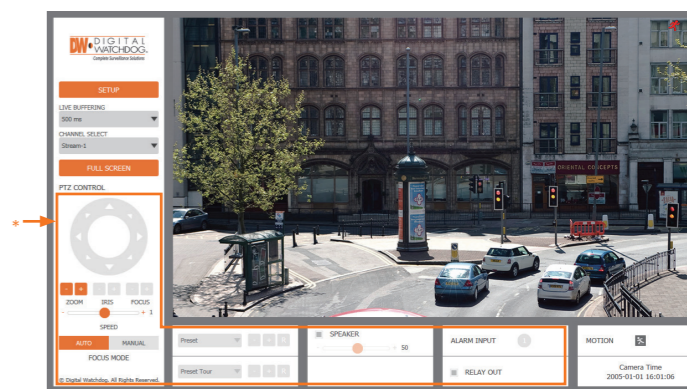


- on the camera's image or click on the 'Click' button under the IP Conf. column. The pop-up window will show the camera's current network settings, allowing admin users to adjust the settings as needed.
- To access the camera's web page, click on the 'View Camera Website' from the IP Config window.
- To save changes made to the camera's setting, enter the username and password of the camera's admin account and click 'Apply'.

- Select DHCP to allow the camera to receive its IP address automatically from the DHCP server.
- Select "Static" to manually enter the camera's IP address, (Sub)Netmask, Gateway and DNS information.
- The camera's IP must be set to static if connecting to Spectrum® IPVMS. Contact your network administrator for more information.
- Default TCP/IP information: DHCP.
- Port forwarding must be set in your network's router to access the camera from an external network.



STEP 6 - WEB VIEWER

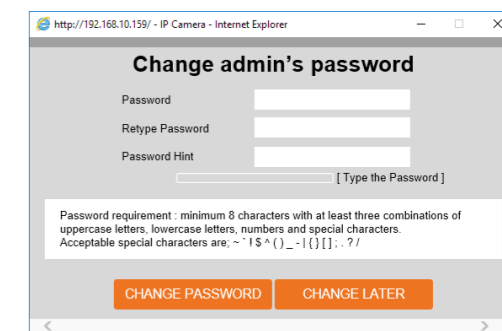


The GUI display may differ by camera models.

Once the camera's network settings have been setup properly, you can access the camera's web viewer using the DW® IP Finder™.

To open the camera's web viewer:

- Find the camera using the DW® IP Finder™.
- Double-click on the camera's view in the results table.
- Press the 'View Camera Website'. The camera's web viewer will open up in your default web browser.
- Enter the camera's username and password you setup in the DW® IP Finder™. If you did not setup a new username and password via the DW® IP Finder™, you will not be able to view the video from the camera. A message will direct you to setup a new password for the camera to view the video.



- When accessing the camera for the first time, install the VLC player for web files to view video from the camera.

NOTE: Some menu options may not be available based on the camera model. See the full manual for more information.

NOTE: Please see the full product manual for web viewer setup, functions and camera settings options.