

DW<sup>®</sup> Universal HD over Coax<sup>®</sup> box cameras

DWC-C223W



WHAT'S IN THE BOX

Alarm out/ RS485 cable		1	C-mount adapter		1
2P terminal block		1	IRIS plug		1
CS mount wrench		1 Set	Quick set up guide		1

**NOTE:** Download all your support materials and tools in one place.

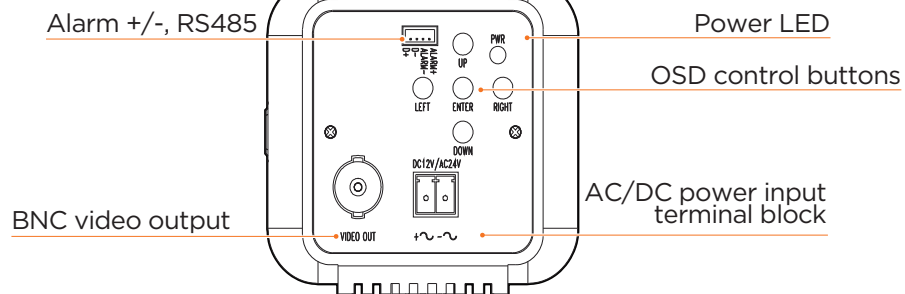
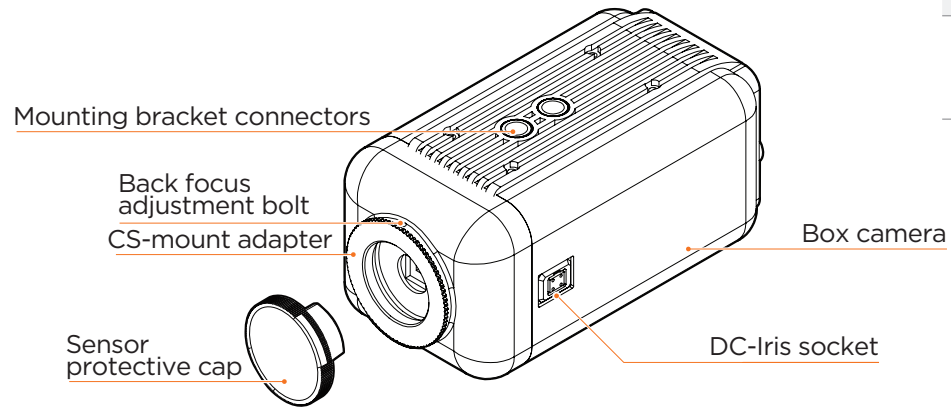
1. Go to: <http://www.digital-watchdog.com/resources>
2. Search your product by entering the part number in the 'Search by Product' search bar. Results for applicable part numbers will populate automatically based on the part number you enter.
3. Click 'Search'. All supported materials, including manuals and quick start guide (QSGs) will appear in the results.



**Attention:** This document is intended to serve as a quick reference for initial set up. It is recommended that the user read the entire instruction manual for complete and proper installation and usage.

STEP 1 - PREPARING TO MOUNT THE CAMERA

1. The mounting surface must withstand five times the weight of your camera.
2. Pay attention to the cables. They can easily become caught and damaged. Any damage may cause a short or fire.
3. Remove the sensor protective cap and mount a lens to the camera. See STEP 3 for lens information.



STEP 2 - CABLING THE CAMERA TO EXTERNAL DEVICES

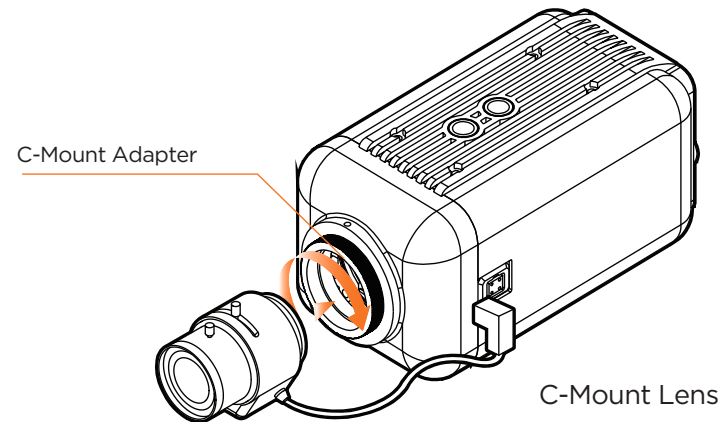
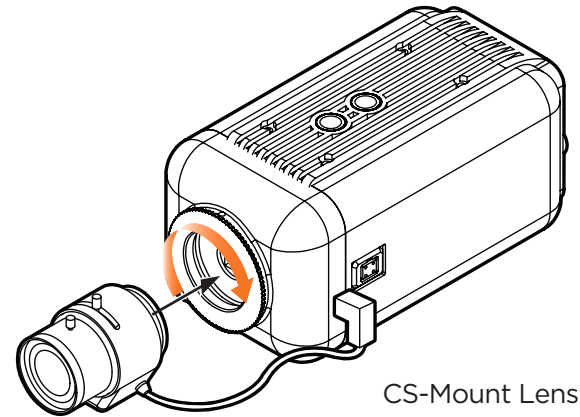
Pass the wires through the installation surface and make all necessary connections. Connect the BNC cable and power cables to the camera.

Power requirements	Power consumption
DC12V / AC24V dual-voltage	DC12V: 2.45W AC24V: 2.4W

### STEP 3 - INSTALLING THE LENS

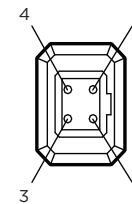
1. For an automatic iris lens, the lens has to be connected to the DC-Iris socket on the side of the camera.  
For a lens with a manual or fixed iris, this socket is not used.
2. Before mounting a lens to the camera, check whether the lens is a C- or CS-mount lens. The back focus of the box camera is set by default for a CS-mount lens.
  - a. For a CS-mount lens: remove the protective cap from the box camera and attach the lens into the camera by rotating it clockwise.
  - b. For a C-mount lens: remove the protective cap from the box camera and attach the lens adapter by turning it clockwise. Then, attached the lens to the adapter by turning it clockwise.
3. Once the lens has been properly mounted to the box camera, mount the camera on an appropriate mounting bracket (sold separately).

**NOTE:** When the lens is mounted to the box camera, adjusting the back focus may be required. If the correct focus cannot be obtained, you may need to adjust the lens adapter. Once the back focus is adjusted, tighten the back focus bolt. The bolt is loose by default and will have to be adjusted during the camera installation.



DC Driven (DC)

1. Control +
2. Control -
3. Drive +
4. GND



DC-IRIS

### STEP 4 - CHANGING THE SIGNAL IN THE CAMERA

1. The camera supports HD-Analog, HD-CVI and HD-TVI signals. To switch between the signals: Use the OSD Switch to switch the camera's signal.
  - To switch the camera to HD-TVI mode, press OSD joystick to the left for 5 seconds.
  - To switch the camera to HD-Analog mode, press OSD joystick to the right for 5 seconds.
  - To switch the camera to CVBS mode, press OSD joystick up for 5 seconds.
  - To switch the camera to HD- CVI mode, press OSD joystick down for 5 seconds.

