

L-PJM20A Unidirectional Projection Loudspeaker

FEATURES

- Intelligible voice and superior sound reproduction
- Ceiling or wall mount installation
- Meets virtually any indoor and outdoor requirement
- Complies with IP65 standard
- Complies with international safety laws



PRODUCT DESCRIPTION

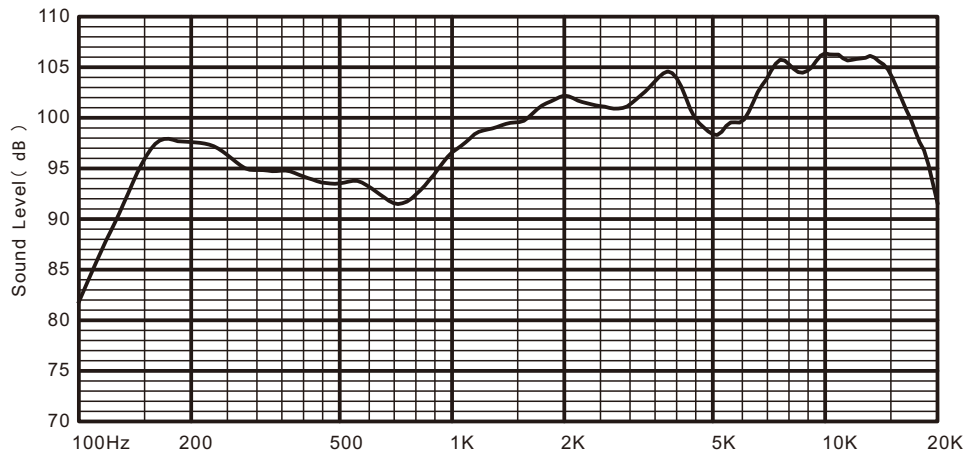
L-PJM20A is a high-performance 20 W public address unidirectional projection loudspeaker. It provides a broad frequency response range, low distortion and high sound pressure level for accurate and intelligible broadcast of evacuation messages and high quality sound reproduction. It can be used in indoor, outdoor, dry, or wet applications, providing reliable operations over wide temperature and humidity ranges. Its low-profile, white color design blends easily with most interiors in locations such as hotels, conference rooms, cinemas, theme parks, factories and exhibitions.

In case of a fire emergency, its aluminum enclosure and high-temperature ceramic wiring connector protect the speaker's internal components from the increased heat often present in fire conditions, extending its ability to remain operational and broadcast important information during a fire emergency. In addition, the loudspeaker's front cover and bracket are also made of aluminum, making them durable and corrosion proof. The loudspeaker is also supplied with a temperature fuse that protects it from overheating due to improper loading.

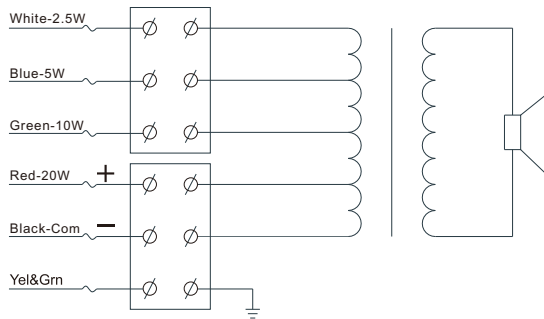
TECHNICAL SPECIFICATIONS

Model	L-PJM20A
Max power	30 W
Rated power	20 W
Power taps @ 100V	20 W / 10 W / 5 W / 2.5 W
SPL at 20 W / 1 W (4 KHz , 1m)	104 dB / 92 dB
Frequency response(-10 dB)	150 Hz -15 KHz
Dispersion angle(1 KHz / -6 dB)	180°
Rated input voltage	100 V / 70 V
Rated impedance	500 Ω / 1 KΩ / 2 KΩ / 4 KΩ
Connector	Fire-resistant cable
Dimensions	Φ140 × 195 mm
Weight	2.65 Kg
Color	White(RAL9003)
Speaker size	5.25"
Operating temperature	-25 °C to +55 °C
Storage temperature	-40 °C to +70 °C
Relative humidity	< 95 %

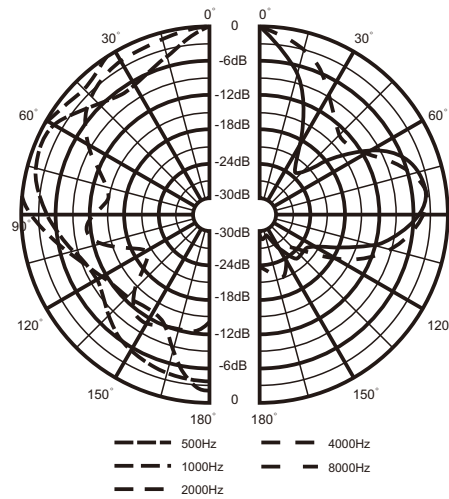
FREQUENCY RESPONSE



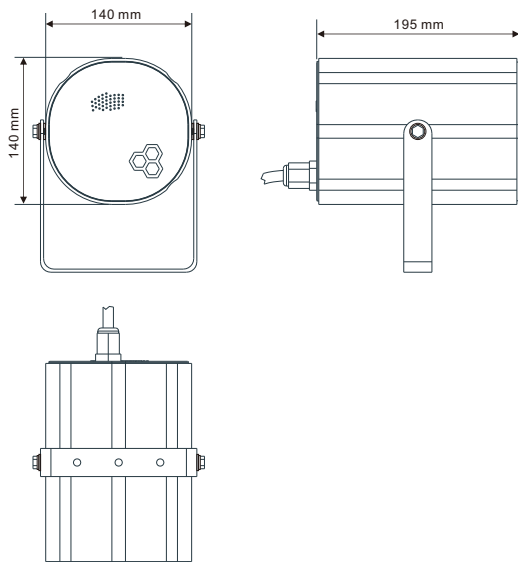
CIRCUIT DIAGRAM



POLAR DIAGRAM



THREE-VIEW DIAGRAM



Honeywell Audiovisuals

No. 257, Junye Road
 Guangzhou GETDD East
 510530 China
 Tel: +86 20 2839 9600
 Fax: +86 20 2820 8706
 www.honeywellav.com

1020905012_EN2.3
 Nov 2012
 © 2012 Honeywell International Inc.

Honeywell