

15" & 30" Plastic Enclosure

DataComm Electronics new Plastic Enclosures are designed to provide options and flexibility for meeting your digital and analog communication needs. The ABS construction allows you to access the full reach of your wireless network by reducing interference with Wi-Fi signals.

Features

- Made of ABS plastic
- Universal hole pattern allows for most standard modules to be installed
- ABS construction reduces interference with Wi-Fi signals
- Available in 5 packs for more savings
- Enclosures conform to UL Standard 2416, CAN/CSA STD C22.2 No. 60950-7-07 and are ETL Listed.

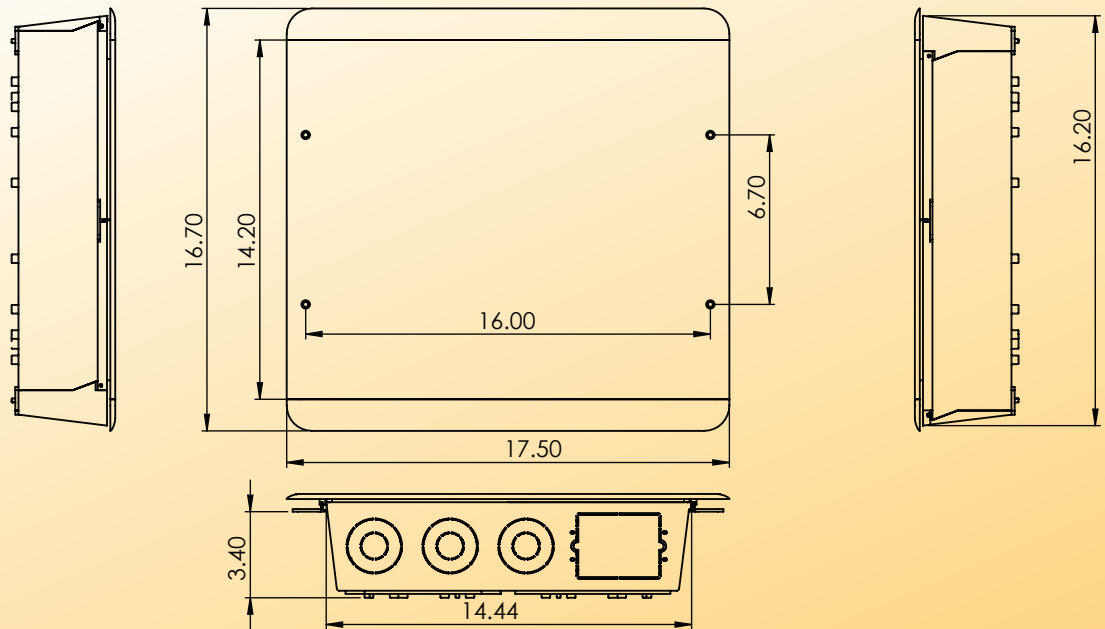


Part Number	Description
80-1500-SC	15" Enclosure w/ Screw Cover
80-1500-5-STACK	(5) Stacked 15" Enclosures Boxes
80-1500-SC-5	(5) Stacked 15" Screw Covers
80-1530-HC	30" Enclosure Box w/ Hinge Door
80-1530-5-STACK	(5) Stacked 30" Enclosure Boxes
80-1530-HC-5	(5) Stacked 30" Hinge Doors

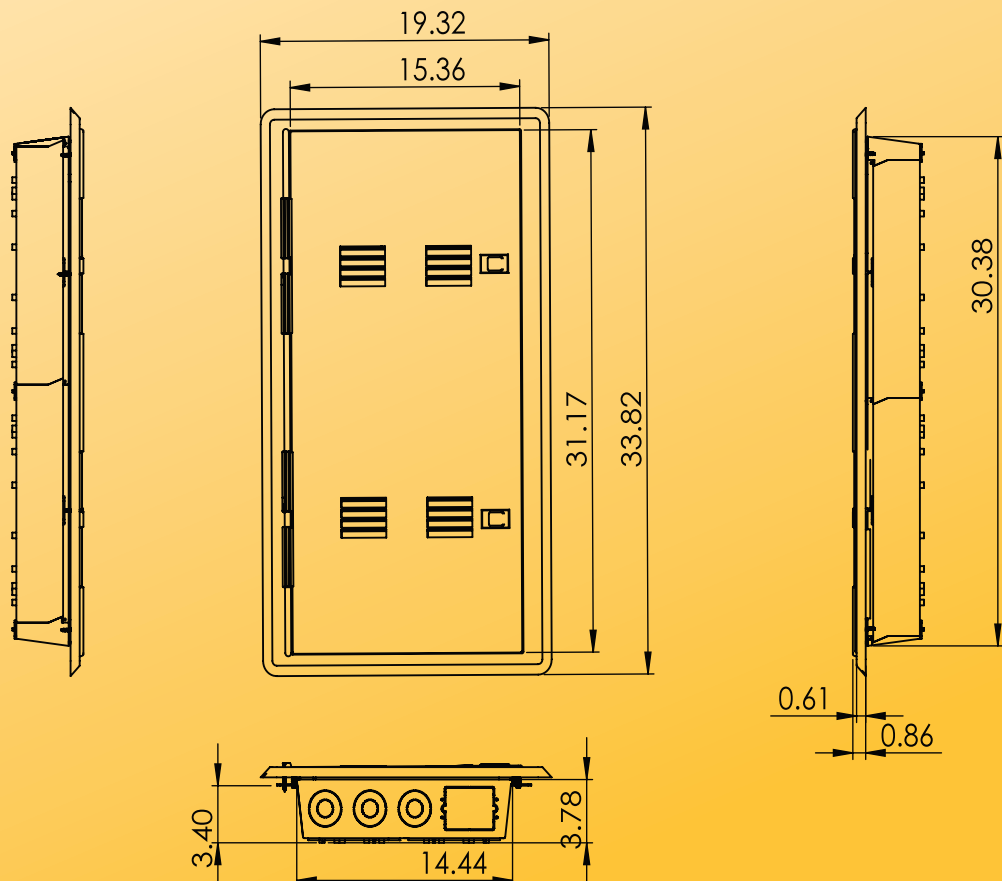


15" & 30" Plastic Enclosure

15" Enclosure

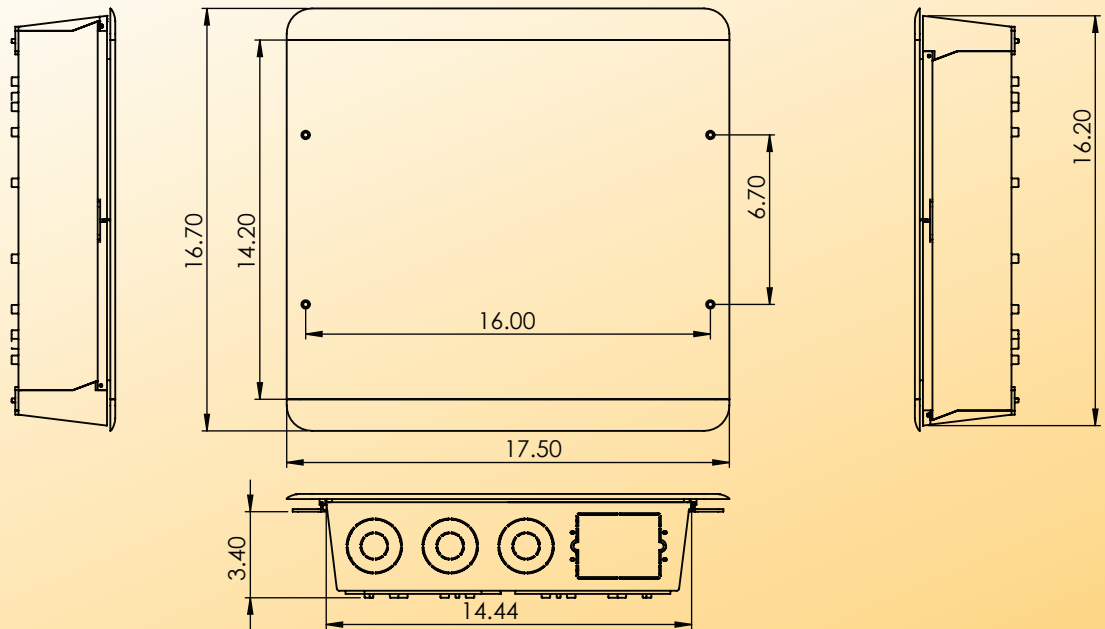


30" Enclosure



15" & 30" Plastic Enclosure

15" Enclosure



30" Enclosure

