

5818MNL

RECESSED DOOR/WINDOW TRANSMITTER



Honeywell's 5818MNL Recessed Door/Window Transmitter is a magnetic contact sensor that provides concealed protection for doors or windows. With its tapered design and at nearly half the size of standard transmitters, the 5818MNL is another example of how Honeywell's wireless technology is continually evolving to meet customer needs.

FEATURES

- Includes self-contained transmitter and reed sensor
- Easy replaceable AAA Lithium battery
- Virtually disappears once installed
- 0.5" gap (transmitter to magnet)
- Features a tapered cylinder for easy and flush fit

SPECIFICATIONS

Dimensions

- 0.75" diameter x 3.0" length
- (19mm x 76.2mm)

Power Source

- 1.5VDC, AAA Lithium battery (supplied)
- or 1.5VDC, AAA Alkaline battery

Operating Temperature

- 32° F to 122° F (0° C to 50° C), non-condensing

Gap

- 0.5" (12.7mm) max distance

Transmit Frequency

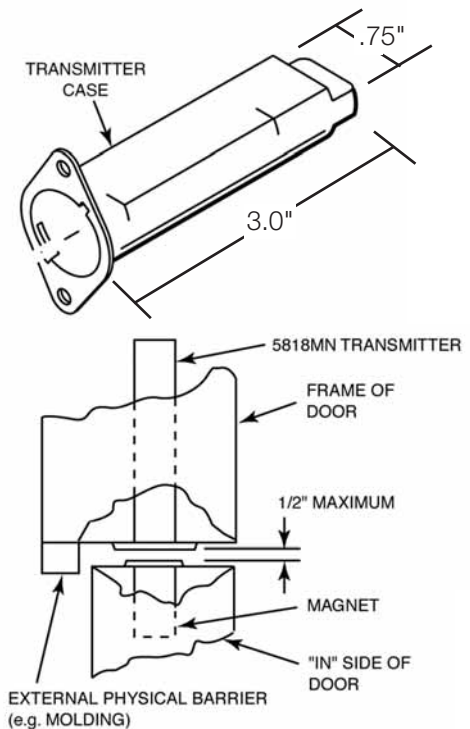
- 345 MHz

Compatibility

- Compatible with all 5800 series wireless devices

Agency Listings

- FCC
- IC
- cULus



ORDERING

5818MNL

Recessed Door Transmitter with Lithium battery supplied

Automation and Control Solutions

Honeywell Security & Communications
2 Corporate Center Dr. Suite 100
P.O. Box 9040
Melville, NY 11747
www.honeywell.com