



5193 Series

V-Plex® Addressable Smoke Detector

The Honeywell Home V-Plex Addressable Photoelectric Smoke Detectors are designed to provide open area protection and to be used with compatible UL Honeywell Home control panels that support V-Plex technology. The detectors incorporate a state-of-the-art optical sensing chamber and an advanced microprocessor. Built-in Drift Compensation algorithms automatically maintain proper operation at factory calibrated detection levels, even when sensitivity is altered due to the presence of contaminants settling into the unit's chamber. The 5193SDT also features a restorable, built-in, fixed temperature (135°F/57.2°C) thermal detector.



FEATURES AND BENEFITS

- **Easy Installation:** Installation is simplified by the use of a mounting base that may be pre-wired to the system, allowing the detector to be easily installed or removed for maintenance or service. (See Figure 1).
- **LED Status Indicators:** Two LEDs (green and red) provide local visual indication of the detector's status – including normal operation, alarm, out of sensitivity and trouble conditions.
- **Test button:** This button allows the user to perform periodic testing of the detector's circuitry and verify that the detector is within the sensitivity limits.
- **Versatile Mounting:** Mounting is made simple with the included hardware and the large mounting ports, which accommodate drywall anchors for easy surface mounting. (See Figure 1).
- **Tamper Protection and Tamper Resistance:** The detector contains a built-in tamper switch that can communicate back to the control panel in the event the detector is removed from its base. For an added level of security, the detector also includes a tamper resistant element that prevents removal from the base without the use of tools. (See Figure 1).

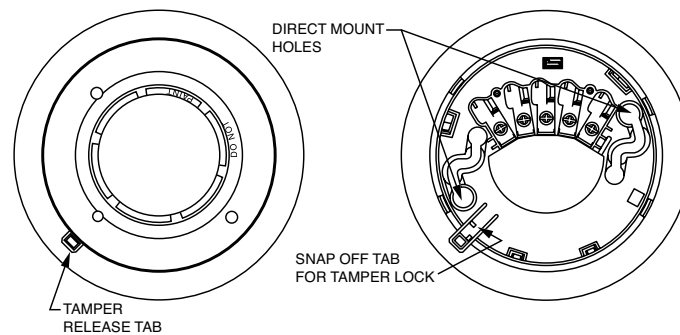


Figure 1: Tamper-Resistant Feature/Wiring

5193 Series Technical Specifications

Heat Sensor: (Model 5193SDT):
 135°F (57.2°C); Fixed Temperature
 Electronic Thermistors

Operating Ambient Temperature Range:
 32° to 100°F (0° to 38°C)

Operating Humidity Range:
 0 to 95% RH non-condensing

Storage Temperature Range:
 -4° to 158°F (-20° to 70°C)

Diameter (including base): 5.3 inches
 (13.46 cm)

Height (including base): 2.0 inches
 (5.08 cm)

Weight: 6.3 oz. (178.6 g)

Agency Listing: UL 268

System Voltage Range: 7-14V

Standby Current (maximum @ 12V)
LED off: 1.2mA **LED on:** 2.8mA

ACCESSORY (sold separately)

To measure the detector’s sensitivity, the **SENS-RDR Infrared Sensitivity Reader tool (sold separately) should be used.** It reduces testing time, simplifies sensitivity measurements and displays them precisely in terms of percent per foot obscuration. The SENS-RDR eliminates the need for magnets, voltmeters and ladders.

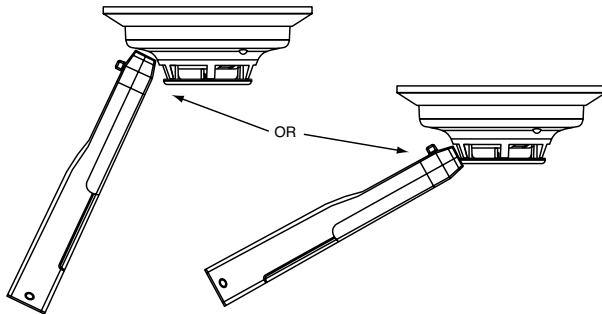


Figure 2: Position of Reader



ORDERING

5193SD	Addressable Photoelectric Smoke Detector
5193SD	Addressable Photoelectric Smoke Detector with Integral Heat Sensor
Accessory sold separately:	
SENS-RDR	Handheld Sensitivity Reader

For more information

security.honeywellhome.com/hsc



Resideo Technologies, Inc.

2 Corporate Center Drive, Suite 100
 P.O. Box 9040
 Melville, NY 11747
 1-800-645-7492
resideo.com

L/5193SDTD/D | 05/19
 © 2020 Resideo Technologies, Inc. All rights reserved.
 This product is manufactured by Resideo and its affiliates. The Honeywell Home trademark is used under license from Honeywell International Inc.

