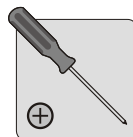
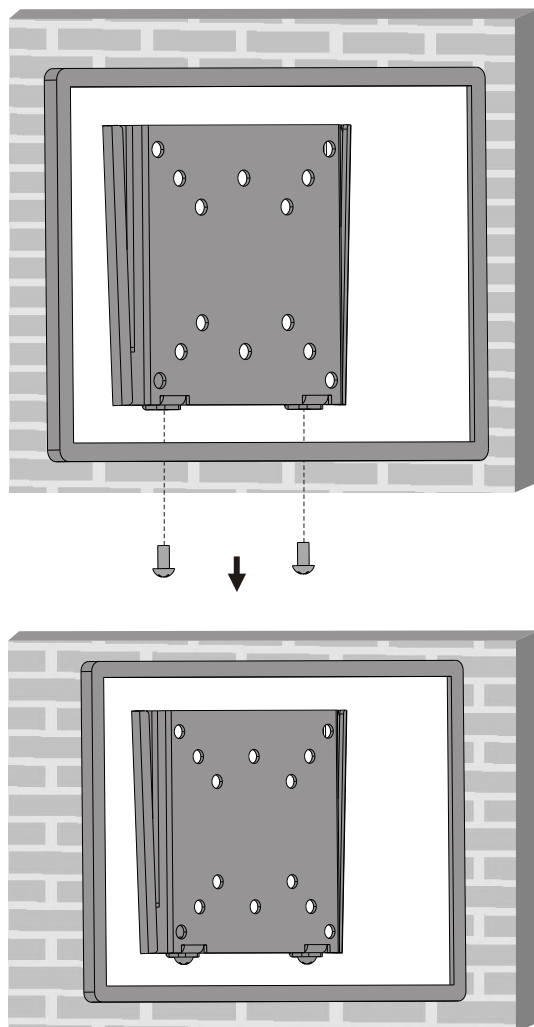


Premium Mount Inc
7300 Bolsa Ave., Westminster, CA 92683 -
Phone: 714-766-6303

INSTALLATION INSTRUCTIONS

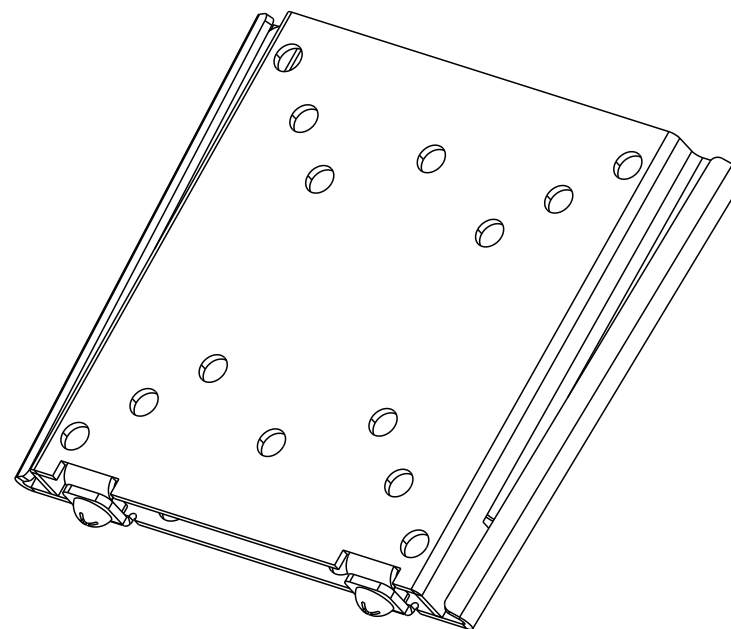
LCD Wall Mount



Secure your display to the mount by tightening screws (just removed).

Maintenance

- Check that the bracket is secure and safe to use at regular intervals (at least every three months).
- Please contact your dealer if you have any questions.



CAUTION: DO NOT EXCEED MAXIMUM LISTED WEIGHT CAPACITY. SERIOUS INJURY OR PROPERTY DAMAGE MAY OCCUR!

WB-5



50x50
75x75
100x100



30kg
(66lbs)
MAX

ISSUED: JAN. 2013

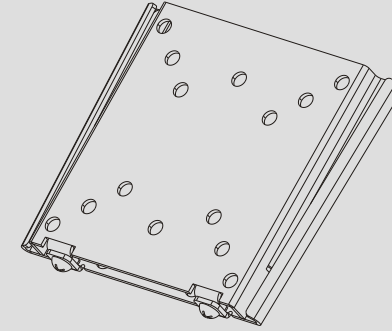
NOTE: Read the entire instruction manual before you start installation and assembly.

WARNING

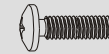
- Do not begin the installation until you have read and understood the instructions and warnings contained in this installation sheet. If you have any questions regarding any of the instruction or warning, please contact your local distributor.
- This mounting bracket was designed to be installed and utilized **ONLY** as specified in this manual. Improper installation of this product may cause damage or serious injury.
- This product should only be installed by someone of good mechanical ability, with basic building experiences and fully understanding of this manual.
- Make sure that the supporting surface will safely support the combined load of the equipment and all attached hardware and components.
- If mounting to wood wall studs, make sure that mounting screws are anchored into the center of the studs. Use of a stud finder is highly recommended.
- Always use an assistant or mechanical lifting equipment to safely lift and position equipment.
- Tighten screws firmly, but do not over tighten. Over tightening can damage the items, greatly reducing their holding power.
- This product intended for indoor use only. Using this product outdoors could lead to product failure and personal injury.

Component Checklist

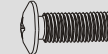
IMPORTANT: Ensure that you have received all parts according to the component checklist prior to installing. If any parts are missing or faulty, telephone your local distributor for a replacement.



Package M



M4x14 (x4)
M-A



M5x14 (x4)
M-B



D5 washer (x4)
M-C

Package W

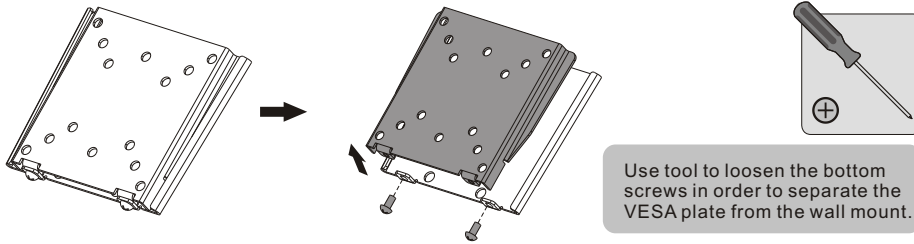


ST5.5x50 (x2)
W-A

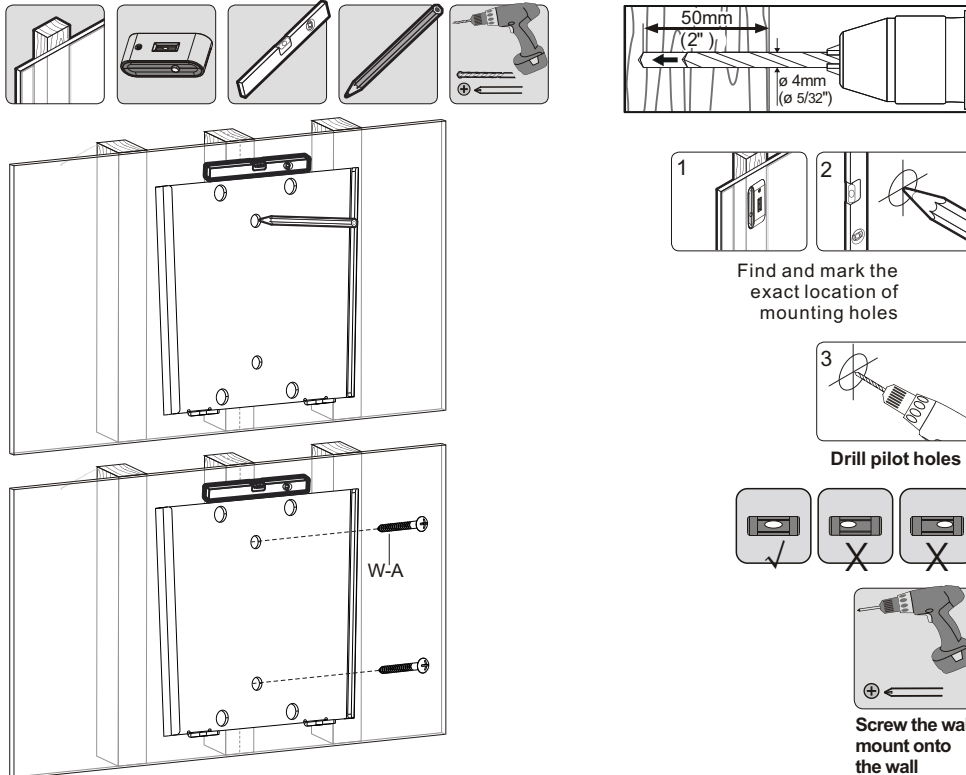


concrete anchor (x2)
W-B

1. Separate VESA Plate



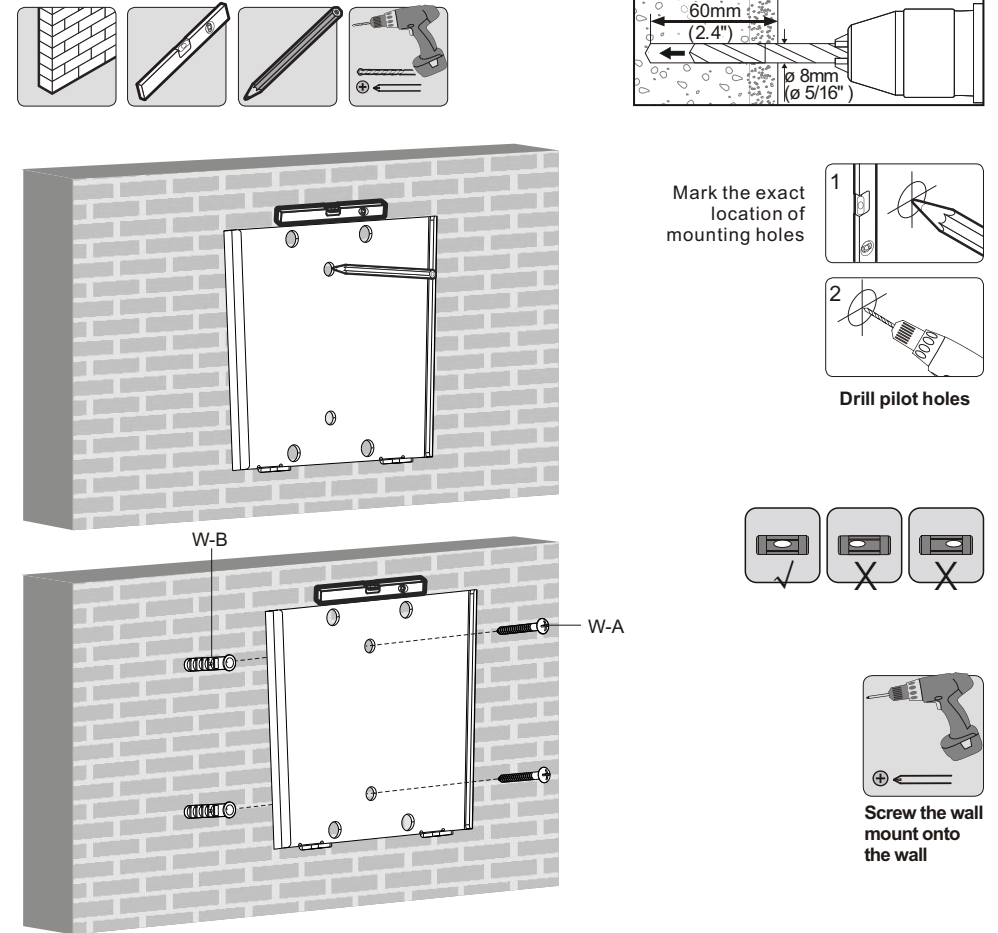
2a. Mount on Wood Stud Wall



⚠ WARNING

- Make sure that mounting screws are anchored into the center of the studs. Use of a stud finder is highly recommended.
- Installers are responsible to provide hardware for other types of mounting situations.
- Installers must verify that the supporting surface will safely support the combined load of the equipment and all attached hardware and components.

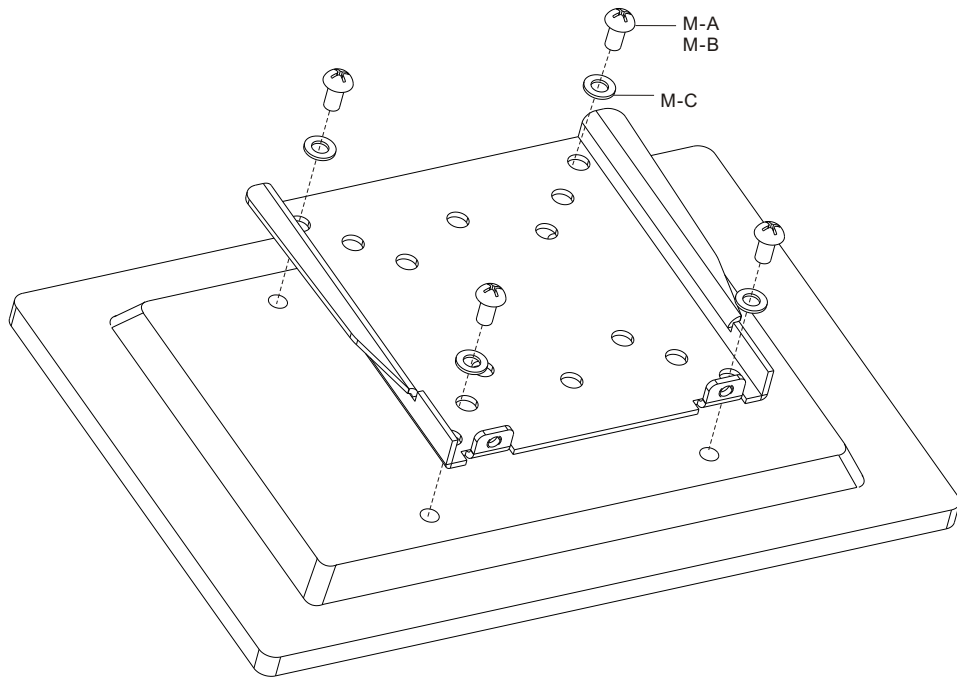
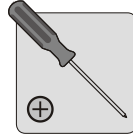
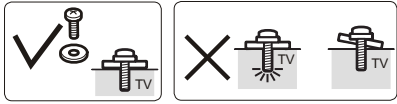
2b. Mount on Solid Brick and Concrete Block



⚠ WARNING

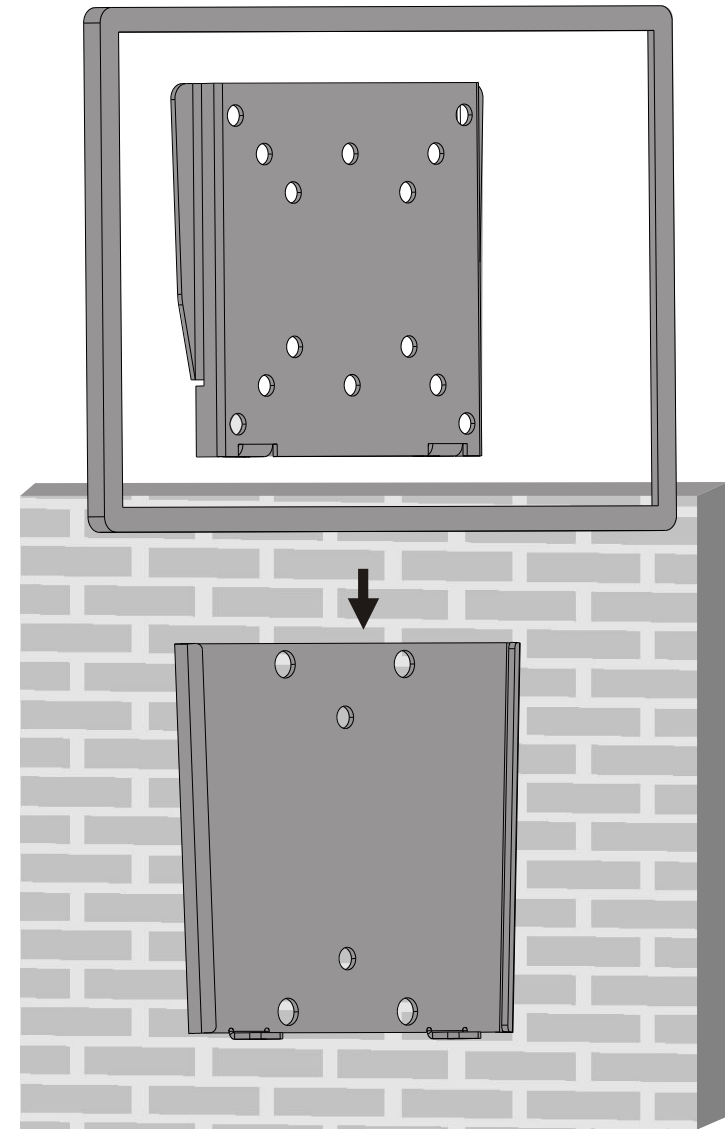
- When installing wall mounts on cinder block, verify the actual concrete thickness is at least 1-3/8" (35mm) for using the concrete anchors. Do not drill into mortar joints! Be sure to mount in a solid part of the block, generally 1" (25mm) minimum from the side of the block. It is suggested electric drill on slow setting is used to drill the hole instead of a hammer drill to avoid breaking out the back of the hole when entering a void or cavity.
- Installers must verify that the supporting surface will safely support the combined load of the equipment and all attached hardware and components.

3. Install the VESA Plate



 Tighten all screws but do not over tighten.

4. Install the Display



Lift the display, aligning holes in VESA plate with mount holes in wall plate.