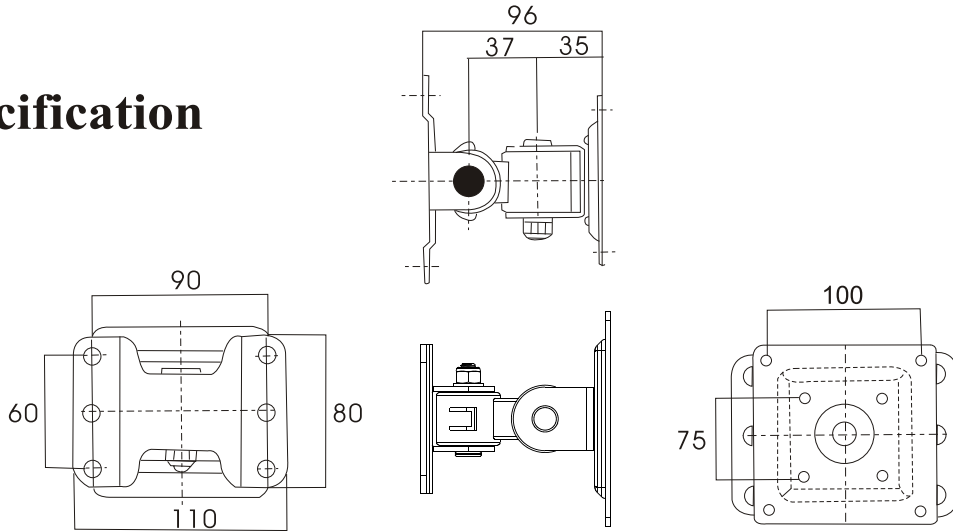
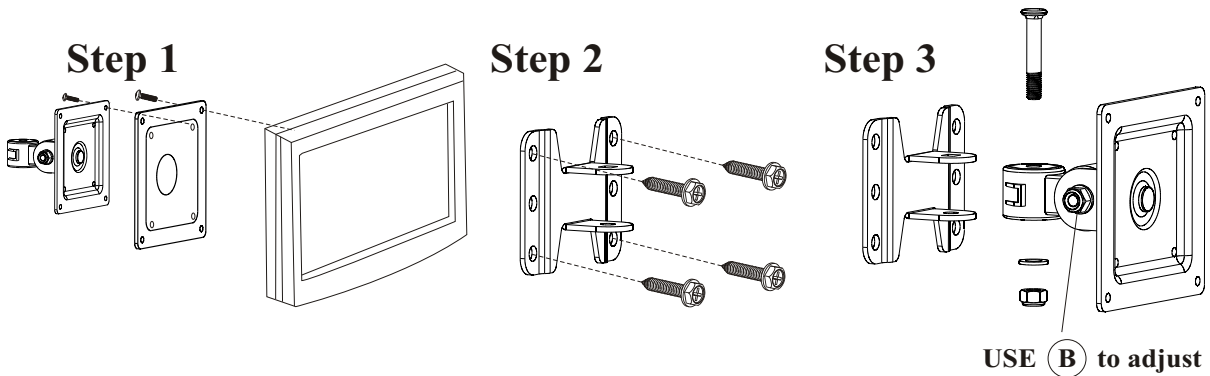


Operation & Assembly Instruction

1. Specification

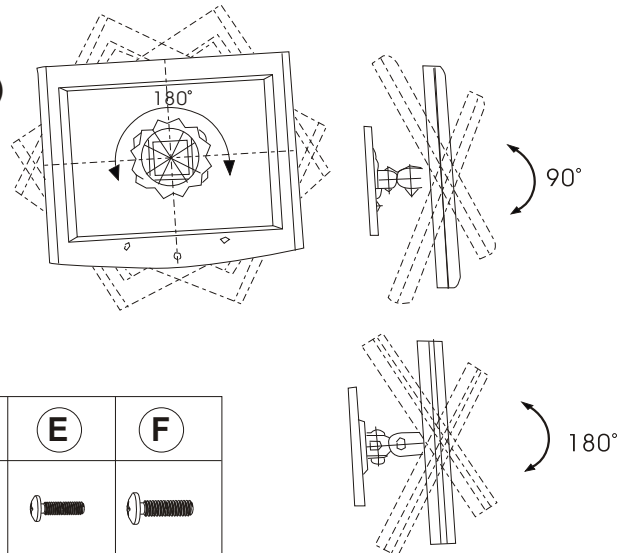


2. Installation Methods



3. Functions

- 3 Directions Mini Wall mount
- Meets VESA standard(75x75 100x100mm)
- Weight:0.5kg Long:98mm
- Loading: 33lbs or 15kg
- Pivot upwards & downwards: 180 degrees
- Swivel left & right 90 degrees
- LCD monitor swivel: 180 degrees



ITEM	(A)	(B)	(C)	(D)	(E)	(F)
PARTS						
QTY	1	1	2	4	4	4