

HSM2208 v1.1 Installation Instructions

8 Low-Current Output Expander Module

This Installation sheet shall be used in conjunction with the Installation Manual of the DSC equipment to which the HSM2208 is connected or powered from (e.g. alarm controller, power supply, etc.). The HSM2208 module can be used to add up to 8 low-current programmable outputs to the compatible DSC alarm controller models HS2016, HS2032, HS2064 and HS2128.

Specifications

- Temperature range: -10°C to +55°C (0°C to +49°C for UL/ULC listed systems)
- Relative Humidity: 93% non condensing
- Input rating: 10.8 to 12.5VDC/700mA (includes 250mA AUX maximum plus 50mA for each of the 8 outputs).
- Maximum loading is shared with compatible alarm panel or power supply AUX output.
- Board current draw: 60mA (set and unset state/alarm and non-alarm state)
- Board dimensions: 45mm x 92mm, Weight 35g
- AUX output ratings: 10.8 to 12.5VDC, -15%/+15% when Input voltage is between 85% to 110% of rated value and output current is between 0mA - 250mA max.
- PGM outputs: Open collector, switched to ground, 50mA max
- Resettable fuse (PTC) used on circuit board instead of replaceable fuses. There are no serviceable parts
- Maximum wire length from alarm panel: 1,000'/305m

Terminal Descriptions

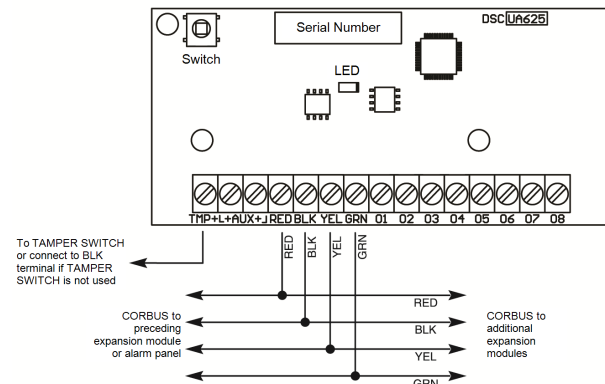
TMP- Used to tamper the cabinet in which the HSM2208 is mounted. Connect a normally closed (NC) switch across TAM and BLK. If the tamper is not being used connect a piece of wire across TAM and BLK to remove the trouble condition.

NOTE: There is a built-in tamper switch on the expander module located in the top left corner of the circuit board. If the cabinet in which the HSM2208 is mounted has the hardware required to depress this tamper switch, do not connect anything to the TAM terminal.

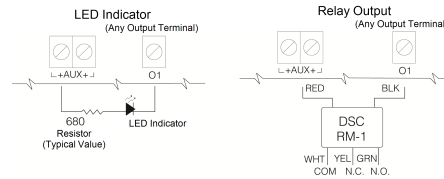
NOTE: Tamper protect is required for UL/ULC commercial/residential burglary installations.

AUX+ - There are two terminals for AUX power to provide easier wiring. These terminals are used to provide power for devices. Maximum current draw is not to exceed 250 mA. Connect the positive lead of powered devices to either AUX+ and the negative to the proper output terminal (O1 to O8).

CORBUS - The 4-wire Corbus connection is used by the panel to communicate with the module. Connect the RED, BLK, YEL and GRN terminals to the Corbus terminals on the HS2016, HS2032, HS2064, or HS2128 main control.



O1 to O8 - Wire the positive lead of the device to either AUX terminal and the negative lead to the required output terminal (O1 to O8).



Enclosures

The HSM2208 may be installed within the same metallic cabinet as the alarm controller/power supply (model Power UC1, PC5003C) or in a separate enclosure (model PC4003C). Internal and/or external wiring for this module shall be routed, supported, clamped or secured in a manner that reduces the likelihood of: excessive strain on wire and on terminal connections, loosening of terminal connections, and damage of conductor insulation.

The HSM2208 can be installed in the metal enclosures listed below. Tamper protection switches can be installed on all enclosures, including door opening protection and/or removal from the mounting position. Doors can be secured using screws or keylock.

- Model PC5003C (removable door)
- Model PC5003C (hinged door)
- Model Power UC1
- Model PC4003C
- Model CMC-1
- Model PC4050CAR (commercial burglary)
- Model PC4050CR (ULC--S559)

NOTE: Use PC4003C, PC5003C, CMC-1, PC4050CAR, or PC4050CR for UL/ULC installations.

Automatically Enrolling on the Alarm Panel

To enroll the HSM2208 follow these steps:

1. Ensure that the system is not powered.
2. Connect the HSM2208 to the Corbus.
3. Power up the system.
4. Enter section [902] [000] and wait 1 minute.
5. Enter section [903] [003] to verify that the module is supervised.

Manually Enrolling on the Alarm Panel

To enroll the HSM2208 follow these steps:

1. Ensure that the system is not powered.
2. Connect the HSM2208 to the Corbus.
3. Power up the system.
4. Enter section [902] [001].
5. Enter the module serial number.
6. Enter section [903] [003] to verify that the module is supervised.

Status LED

The HSM2208 is equipped with a status LED to indicate the current condition of the module. If the HSM2208 is operating correctly, the status LED flashes briefly every 10 seconds. When a trouble condition is present, the status LED displays a series of flashes then remains blank for 1.5 seconds. The number of flashes indicates the trouble condition as outlined below.

Number of Flashes	Trouble Condition
1	Module not enrolled
2	Alarm Panel supervision trouble
3	CORBUS low voltage

Limited Warranty

Digital Security Controls (DSC) warrants that for a period of twelve months from the date of purchase, the product shall be free of defects in materials and workmanship under normal use and that in fulfillment of any breach of such warranty, DSC shall, at its option, repair or replace the defective equipment upon return of the equipment to its factory. This warranty applies only to defects in parts and workmanship and not to damage incurred in shipping or handling, or damage due to causes beyond the control of DSC such as lightning, excessive voltage, mechanical shock, water or damage, or damage arising out of abuse, alteration or improper application of the equipment.

The foregoing warranty shall apply only to the original buyer, and is not to be in lieu of any and all other warranties, whether expressed or implied and of all other obligations or liabilities on the part of DSC. This warranty contains the entire warranty. Digital Security Controls neither assumes responsibility for, nor authorizes any other person purporting to act on its behalf to modify or to change this warranty, nor to assume for it any other warranty or liability concerning this product. In no event shall DSC be liable for any direct or consequential damages, loss of anticipated profits, loss of time or any other losses incurred by the buyer in connection with the purchase, installation or operation or failure of this product.

Warning: Digital Security Controls recommends that the entire system be completely tested on a regular basis. However, despite frequent testing, and due to, but not limited to, criminal tampering or electrical disruption, it is possible for this product to fail to perform as expected.

IMPORTANT - READ CAREFULLY: DSC Software purchased with or without Product and Component is copyright and is protected under the following license terms: This End User License Agreement ("EULA") is a legal agreement between You (the company, individual or entity who acquires the Software) and any related Hardware and Digital Security Controls, a division of Tyco Safety Products Canada Ltd. ("DSC"), the manufacturer of the integrated security systems and the developer of the software and any related products or components ("HARDWARE") which You acquired. If the DSC software product ("SOFTWARE PRODUCT" or "SOFTWARE") is intended to be accompanied by HARDWARE, and is NOT accompanied by new HARDWARE, You may not use, copy or install the SOFTWARE PRODUCT. The SOFTWARE PRODUCT includes computer software, and may include associated media, printed materials, and "online" or electronic documentation. Any software provided along with the SOFTWARE PRODUCT that is associated with a separate end-user license agreement is licensed to You under the terms of that license agreement.

By installing, copying, downloading, storing, accessing or otherwise using the SOFTWARE PRODUCT, You agree unconditionally to be bound by the terms of this EULA, even if this EULA is deemed to be a modification of any previous arrangement or contract. If You do not agree to the terms of this EULA, DSC is unwilling to license the SOFTWARE PRODUCT to You, and You have no right to use it.

SOFTWARE PRODUCT LICENSE

The SOFTWARE PRODUCT is protected by copyright laws and international copyright treaties as well as other intellectual property laws and treaties. The SOFTWARE PRODUCT is licensed, not sold.

1. GRANT OF LICENSE: This EULA grants You the following rights:
 - (a) Software Installation and Use - For each license You acquire, You may have only one copy of the SOFTWARE PRODUCT installed.
 - (b) Storage/Network Use - The SOFTWARE PRODUCT may not be installed, accessed, displayed, run, shared or used concurrently on more than different computers, including a workstation, terminal or other digital electronic device ("Device"). In other words, if You have several workstations, You will have to acquire a license for each workstation where the SOFTWARE will be used.
 - (c) Backup Copy - You may make back-up copies of the SOFTWARE PRODUCT, but You may only have one copy per license installed at any given time. You may use the back-up copy solely for archival purposes. Except as expressly provided in this EULA, You may not otherwise make copies of the SOFTWARE PRODUCT, including the printed materials accompanying the SOFTWARE.
 - (d) Limitations on Reverse Engineering and Disassembly - You may not reverse engineer, decompile, or disassemble the SOFTWARE PRODUCT, except and only to the extent that such activity is expressly permitted by applicable law without infringing this limitation. You may not make any changes or modifications to the Software, without the written permission of an officer of DSC. You may not remove any proprietary notices, marks or labels from the Software Product. You shall institute a reasonable measures to ensure compliance with the terms and conditions of this EULA.
 - (e) Separation of Components - The SOFTWARE PRODUCT is licensed as a single product. Its component parts may not be separated or far used on more than one HARDWARE unit.
 - (f) Single INTEGRATED PRODUCT - If You acquired this SOFTWARE WITH HARDWARE, then the SOFTWARE PRODUCT is licensed with the HARDWARE as a single integrated product. In this case, the SOFTWARE PRODUCT may only be used with the HARDWARE as set forth in this EULA.
 - (g) Rental - You may not rent, lease or lend the SOFTWARE PRODUCT. You may not make it available to others or post it on a server or web site.
 - (h) Software Product Transfer - You may transfer all of Your rights under this EULA only as part of a permanent sale or transfer of the HARDWARE, provided You retain no copies, You transfer all of the SOFTWARE PRODUCT (including all component parts, the media and printed materials, any upgrades and this EULA), and provided the recipient agrees to the terms of this EULA. If the SOFTWARE PRODUCT is an upgrade, any transfer must also include all prior versions of the SOFTWARE PRODUCT.
 - (i) Termination - Without prejudice to any other rights, DSC may terminate this EULA if You fail to comply with the terms and conditions of this EULA. In such event, You must destroy all copies of the SOFTWARE PRODUCT and all of its component parts.
 - (j) Trademarks - This EULA does not grant You any rights in connection with any trademarks or service marks of DSC or its suppliers.
2. COPYRIGHT - All title and intellectual property rights in and to the SOFTWARE PRODUCT (including but not limited to any images, photographs, and text incorporated into the SOFTWARE PRODUCT), the accompanying printed materials, and any copies of the SOFTWARE PRODUCT, are owned by DSC or its suppliers. You may not copy the printed materials accompanying the SOFTWARE PRODUCT. All title and intellectual property rights in and to the content which may be accessed through use of the SOFTWARE PRODUCT are the property of the respective content owner and may be protected by applicable copyright or other intellectual property laws and treaties. This EULA grants You no rights to use such content. All rights not expressly granted under this EULA are reserved by DSC and its suppliers.
3. EXPORT RESTRICTIONS - You agree that You will not export or re-export the SOFTWARE PRODUCT to any country, person, or entity subject to Canadian export restrictions.
4. CHOICE OF LAW - This Software License Agreement is governed by the laws of the Province of Ontario, Canada.
5. ARBITRATION - All disputes arising in connection with this Agreement shall be determined by final and binding arbitration in accordance with the Arbitration Act, and the parties agree to be bound by the arbitrator's decision. The place of arbitration shall be Toronto, Canada, and the language of the arbitration shall be English.

7. LIMITED WARRANTY

- (a) NO WARRANTY - DSC PROVIDES THE SOFTWARE "AS IS" WITHOUT WARRANTY. DSC DOES NOT WARRANT THAT THE SOFTWARE WILL MEET YOUR REQUIREMENTS OR THAT OPERATION OF THE SOFTWARE WILL BE UNINTERRUPTED OR ERROR-FREE.
- (b) CHANGES IN OPERATING ENVIRONMENT - DSC shall not be responsible for problems caused by changes in the operating characteristics of the HARDWARE, or for problems in the interaction of the SOFTWARE PRODUCT with non-DSC SOFTWARE or HARDWARE PRODUCTS.
- (c) LIMITATION OF LIABILITY. WARRANTY REFLECTS ALLOCATION OF RISK - IN ANY EVENT, IF ANY STATUTE IMPLIES WARRANTIES OR CONDITIONS NOT STATED IN THIS LICENSE AGREEMENT, DSC'S ENTIRE LIABILITY UNDER ANY PROVISION OF THIS LICENSE AGREEMENT SHALL BE LIMITED TO THE GREATER OF THE AMOUNT ACTUALLY PAID BY YOU TO LICENSE THE SOFTWARE PRODUCT AND FIVE CANADIAN DOLLARS (CAD\$500). BECAUSE SOME JURISDICTIONS DO NOT ALLOW THE EXCLUSION OR LIMITATION OF LIABILITY FOR CONSEQUENTIAL OR INCIDENTAL DAMAGES, THE ABOVE LIMITATION MAY NOT APPLY TO YOU.
- (d) DISCLAIMER OF WARRANTIES - THIS WARRANTY CONTAINS THE ENTIRE WARRANTY AND SHALL BE IN LIEU OF ANY AND ALL OTHER WARRANTIES, WHETHER EXPRESSED OR IMPLIED (INCLUDING ALL IMPLIED WARRANTIES OF MERCHANTABILITY OR FITNESS FOR A PARTICULAR PURPOSE) AND OF ALL OTHER OBLIGATIONS OR LIABILITIES ON THE PART OF DSC. DSC MAKES NO OTHER WARRANTIES. DSC NEITHER ASSUMES NOR AUTHORIZES ANY OTHER PERSON PURPORTING TO ACT ON ITS BEHALF TO MODIFY OR TO CHANGE THIS WARRANTY, NOR TO ASSUME FOR IT ANY OTHER WARRANTY OR LIABILITY CONCERNING THIS SOFTWARE PRODUCT.
- (e) EXCLUSIVE REMEDY AND LIMITATION OF WARRANTY - UNDER NO CIRCUMSTANCES SHALL DSC BE LIABLE FOR ANY SPECIAL, INCIDENTAL, CONSEQUENTIAL OR INDIRECT DAMAGES BASED UPON BREACH OF WARRANTY, BREACH OF CONTRACT, NEGLIGENCE, STRICT LIABILITY OR ANY OTHER LEGAL THEORY. SUCH DAMAGES INCLUDE, BUT ARE NOT LIMITED TO, LOSS OF PROFITS, LOSS OF THE SOFTWARE PRODUCT OR ANY ASSOCIATED EQUIPMENT, COST OF CAPITAL, COST OF SUBSTITUTE OR REPLACEMENT EQUIPMENT, FACILITIES, SERVICES, DOWNTIME, PURCHASE TIME, THE CLAIMS OF THIRD PARTIES, INCLUDING CUSTOMERS, AND INJURY TO PROPERTY. WARNING: DSC recommends that the entire system be completely tested on a regular basis. However, despite frequent testing, and due to, but not limited to, criminal tampering or electrical disruption, it is possible for this SOFTWARE PRODUCT to fail to perform as expected.

FCC COMPLIANCE STATEMENT

CAUTION: Changes or modifications not expressly approved by DSC could void your authority to use this equipment.

This equipment generates and uses radio frequency energy and if not installed and used properly, in strict accordance with the manufacturer's instructions, may cause interference to radio and television reception. It has been type tested and found to comply with the limits for Class B device in accordance with the specifications in Subpart "B" of Part 15 of FCC Rules, which are designed to provide reasonable protection against such interference in any residential installation. However, there is no guarantee that interference will not occur in a particular installation. If this equipment does cause interference to television or radio reception, which can be determined by turning the equipment off and on, the user is encouraged to try to correct the interference by one or more of the following measures:

- Re-orient the receiving antenna
 - Relocate the alarm control with respect to the receiver
 - Move the alarm control away from the receiver
 - Connect the alarm control into a different outlet so that alarm control and receiver are on different circuits.
- If necessary, the user should consult the dealer or an experienced radio/television technician for additional suggestions. The user may find the following booklet prepared by the FCC useful: "How to Identify and Resolve Radio/Television Interference Problems". This booklet is available from the U.S. Government Printing Office, Washington D.C. 20402, Stock # 004-000-00345-4.

Industry Canada

CAN ICES-300 NMB-3(B)

EN CERTIFICATION

The Model HSM2208 Out put Module has been certified by Telecommunication according to EN50131-1:2006+ A1:2009 and EN50131-3:2009 Type A for Grade 2, Class II when installed in the PC5003C enclosure.

Instrucciones de instalación de HSM2208 v1.1

Módulo expansor de 8 salidas de baja corriente

Esta hoja de instalación debe utilizarse junto con el Manual de instalación del equipo DSC al que el HSM2208 esté conectado o desde el que esté alimentado (por ejemplo, controlador de alarma, fuente de alimentación, etc.). El módulo HSM2208 puede ser usado para añadir hasta 8 salidas programables de baja corriente para los modelos de controlador de alarma DSC HS2016, HS2032, HS2064 y HS2128.

Especificaciones

- Rango de temperatura: -10 °C a + 55 °C (0 °C a +49 °C para sistemas listados por UL/ULC)
- Humedad relativa: 93% sin condensación
- Entrada nominal: 10,8 a 12,5VCC/700mA (incluye 250mA máximos de salida AUX más 50mA para cada una de las 8 salidas).
- La carga máxima se comparte con el panel de alarma compatible o la salida AUX de fuente de alimentación.
- Consumo de corriente del tablero: 60mA (estado activado y no activado/estado de alarma y sin alarma)
- 45 mm (largo) x 92 mm (ancho); peso 35 g.
- Salida nominal AUX: 10,8 a 12,5Vcc, -15 %/+15 % cuando la tensión de entrada oscila entre 85 % y 110 % de valor nominal y la corriente de salida oscila entre 0 mA - 250 mA como máximo.
- Salidas PGM: Colector abierto, conectado a tierra, 50 mA como máximo
- Fusible reajustable (PTC) utilizado en la placa de circuito en vez de fusibles sustituibles. No hay piezas que puedan repararse
- Longitud máxima del cable desde el panel de alarma: 1 000'/305m

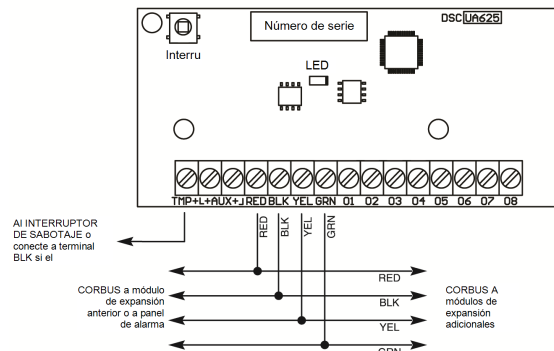
Descripciones de terminal

TMP - Utilizado para proteger el gabinete en el que el HSM2208 está montado. Conecte un interruptor normalmente cerrado (NC) a través de TAM y BLK. Si no se utiliza el interruptor de sabotaje, conecte un cable a través de TAM y de BLK para eliminar la condición problemática.

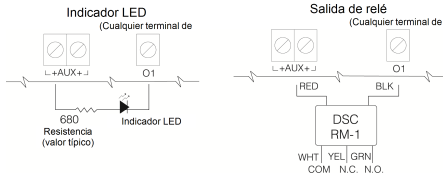
Nota: Hay un interruptor de sabotaje integrado en el módulo de expansión ubicado en la esquina superior izquierda de la placa de circuito. Si el gabinete en el que el HSM2208 está montado tiene el hardware necesario para presionar este interruptor de sabotaje, no conecte nada a la terminal TAM.

Nota: Se requiere protección contra sabotaje para instalaciones contra robo comerciales/residenciales homologadas por la UL/ULC.

AUX+ - Hay dos terminales para alimentación de AUX a fin de proporcionar un cableado más fácil. Estas terminales se utilizan para proporcionar alimentación a los dispositivos. El consumo de corriente máximo no debe exceder 250 mA. Conecte el cable positivo de los dispositivos alimentados a AUX+, y el negativo, a la terminal de salida apropiada (O1 a O8). **CORBUS** - El panel usa la conexión Corbus de 4 hilos para comunicarse con el módulo. Conecte las terminales RED, BLK, YEL y GRN a las terminales Corbus en el control principal de HS2016, HS2032, HS2064 o HS2128.



O1 a O8 - Conecte el cable positivo del dispositivo a la terminal AUX; y el cable negativo, a la terminal de salida requerida (O1 a O8).



Alojamientos

El HSM2208 puede instalarse dentro del mismo gabinete metálico que el controlador de alarma/fuente de alimentación (modelo Power UC1, PC5003C) o en un gabinete separado (modelo PC4003C). El cableado interno y/o externo para este módulo debe direccionarse, soportarse, ajustarse o asegurarse de forma tal que se reduzca la posibilidad de: tensión excesiva en el cable y en las conexiones de terminales, aflojamiento de conexiones de terminales y daño del aislamiento de los conductores.

El HSM2208 puede instalarse en los gabinetes metálicos que se enumeran a continuación. Los interruptores de protección contra sabotaje pueden instalarse en todos los gabinetes, incluyendo la protección contra apertura de puertas y/o el retiro de la posición de montaje. Las puertas pueden asegurarse utilizando tornillos o cerraduras.

- Modelo PC5003C (puerta removible)
- Modelo PC5003C (puerta con bisagras)
- Modelo Power UC1
- Modelo PC4003C
- Modelo CMC-1
- Modelo PC4050CAR (robo comercial)
- Modelo PC4050CR (ULC-S559)

Nota: Use PC4003C, PC5003C, CMC-1, PC4050CAR, o PC4050CR para instalaciones homologadas por la UL/ULC.

Registro automático en el panel de alarma

Para registrar el HSM2208, siga estos pasos:

- Asegúrese de que el sistema no esté encendido.
- Conecte el HSM2208 al Corbus.
- Encienda el sistema.
- Ingrese la sección [902] [000] y espere 1 minuto.
- Ingrese la sección [903] [003] para verificar que el módulo esté supervisado.

Registro manual en el panel de alarma

Para registrar el HSM2208, siga estos pasos:

- Asegúrese de que el sistema no esté encendido.
- Conecte el HSM2208 al Corbus.
- Encienda el sistema.
- Ingrese la sección [902] [001].
- Ingrese el número de serie del módulo.
- Ingrese la sección [903] [003] para verificar que el módulo esté supervisado.

LED de estado

El HSM2208 está equipado con un LED de estado para indicar el estado actual del módulo. Si el HSM2208 está operando correctamente, el LED de estado parpadeará brevemente cada 10 segundos. Cuando exista una condición de avería, el LED de estado mostrará una serie de destellos y después permanecerá en blanco durante 1.5 segundos. El número de parpadeos indica la condición de avería según se resume a continuación.

Número de destellos	Condición de avería
1	Módulo no asociado
2	Problema de supervisión del panel de alarma
3	Bajo voltaje en CORBUS

Garantía Limitada

Digital Security Controls Ltd. garantiza al comprador original que por un periodo de doce meses desde la fecha de compra, el producto está libre de defectos en materiales y hechura en uso normal. Durante el periodo de la garantía, Digital Security Controls Ltd., decide sólo, reparar o reemplazar cualquier producto defectuoso devolviendo el producto a su fábrica. Esta garantía se aplica sólo

ment a defectos en componentes y mano de obra y no a los daños que puedan haberse presentado durante el transporte y manipulación o daños debidos a causas fuera del control de Digital Security Controls Ltd. Tales como rayos, voltaje excesivo, sacudidas mecánicas, daños por agua, o daños resultantes del abuso, alteración o aplicación inadecuada del equipo. La garantía no cubrirá ni se aplicará a los componentes que no sean originales ni sustitutos, a cualquier alteración que se haga, ya sea explícita o implícita, y todos los derechos, obligaciones y responsabilidades por parte de Digital Security Controls Ltd. Este producto contiene la garantía de Digital Security Controls no acepta ninguna responsabilidad por daños o lesiones sufridas por personas o bienes o para modificar o cambiar esta garantía, ni para aceptar en su nombre o ninguno otro la garantía o responsabilidad relativa a este producto. En ningún caso, Digital Security Controls Ltd. será responsable de cualquier daño o perjuicio directo, indirecto o consecuente, o pérdidas de utilidades esperadas, pérdidas de tiempo o cualquier otro perjuicio incurrido por el comprador con relación a adquisición, instalación, operación o fallo de este producto. Sin embargo, a pesar de las pruebas frecuentes y debido a ellas, pero no limitado a las mismas, ADVERTENCIA: DSC recomienda que se pruebe todo el sistema completamente de modo regular. Sin embargo, a pesar de las pruebas frecuentes y debido a ellas, pero no limitado a las mismas, IMPORTANTE - LEA ATENTAMENTE el Software DSC comprado con o sin productos y Componentes tiene marca registrada y es adquirido bajo las siguientes condiciones de licencia: Este Acuerdo de Licencia de Usuario Final (End User License Agreement - "EULA") es un acuerdo legal entre usted (lo compite, individuo o entidad que ha adquirido el Software y cualquier Hardware y relación) y Digital Security Controls, una división de Tyco Safety Products (Comod) Ltd. Si el producto de Software y Product ("SOFTWARE") necesita estar acompañado de HARDWARE y/o accesorios para ser utilizado, usted no puede usar, copiar, instalar o modificar el PRODUCTO DE SOFTWARE que incluye software y puede incluir medios asociados, materiales impresos y documentación "en línea" electrónica. Cualquier software provisto con el PRODUCTO DE SOFTWARE que está asociado a un acuerdo de licencia de usuario final separado es licenciado a Usted bajo los términos de ese acuerdo de licencia. Al instalar, copiar, realizar la descarga, almacenar, acceder o, de otro modo, usar el PRODUCTO DE SOFTWARE, Usted se somete incondicionalmente a los términos de este EULA, incluso si este EULA es una modificación de cualquier acuerdo de contrato previo. Si no está de acuerdo con los términos de este EULA, DSC no podrá licenciarle el PRODUCTO DE SOFTWARE y usted no tendrá derecho de usarlo.

LICENCIA DE PRODUCTO DE SOFTWARE

El PRODUCTO DE SOFTWARE está protegido por leyes de derecho de autor y acuerdos de derecho de autor, así como otras leyes de propiedad intelectual. El PRODUCTO DE SOFTWARE es licenciado, no vendido.

- CONCESIÓN DE LICENCIA. Este EULA le concede las siguientes derechos:
 - Instalación y uso del software - Para cada licencia que Usted adquiere, Usted puede instalar tan sólo una copia del PRODUCTO DE SOFTWARE.
 - Almacenamiento/Usos en red - El PRODUCTO DE SOFTWARE no puede ser instalado, accedido, modificado, ejecutado, compartido o usado al mismo tiempo desde diferentes ordenadores, incluyendo una estación de trabajo, terminal u otro dispositivo electrónico ("Dispositivo"). En otros palabras, si Usted tiene varias estaciones de trabajo, Usted tendrá que adquirir una licencia para cada estación de trabajo donde usar el PRODUCTO DE SOFTWARE.
 - Copia de seguridad - Usted puede hacer copias de seguridad del PRODUCTO DE SOFTWARE, pero sólo puede tener una copia por licencia instalada en un momento determinado. Usted puede usar la copia de seguridad solamente para propósitos de archivo. Excepto del modo en que está expresamente previsto en este EULA, Usted no puede hacer copias del PRODUCTO DE SOFTWARE de otro modo, incluyendo los materiales impresos que acompañan al SOFTWARE.
 - DESCRIPCIÓN DE OTROS DERECHOS Y LIMITACIONES.
 - Limitaciones anti Ingeniería Reversa, Descompilación y Desmontado - Usted no puede realizar ingeniería reversa, descompilar o desmontar el PRODUCTO DE SOFTWARE, excepto y sólo en la medida en que dicha actividad está expresamente permitida por la ley aplicable, no obstante esta limitación. Usted no puede realizar cambios ni modificaciones al Software, sin el consentimiento de un oficial de DSC. Usted no puede eliminar avisos de propiedad, marcas o logotipos del Producto de Software. Usted debería instituir medidas razonables que aseguren el cumplimiento de los términos y condiciones de este EULA.
 - Separación de los Componentes - El PRODUCTO DE SOFTWARE se licencia como un producto único. Sus partes componentes no pueden ser separados para el uso en más de una unidad de HARDWARE.
 - Producto ÚNICO INTEGRADO - Si usted adquirió este SOFTWARE con HARDWARE, entonces el PRODUCTO DE SOFTWARE está licenciado como un producto único integrado. En este caso, el PRODUCTO DE SOFTWARE puede ser usado solamente con el HARDWARE. Tal y como se establece más adelante en este EULA.
 - Alquiler - Usted no puede alquilar, prestar o arrendar el PRODUCTO DE SOFTWARE. No puede disponibilizarlo a terceros ni colgarlo en un servidor o una página web.
 - Transferencia de Producto de Software - Usted puede transferir todos sus derechos bajo este EULA sólo como parte de una venta permanente o transferencia del HARDWARE, desde que Usted no realice copias y transfiera a todo el PRODUCTO DE SOFTWARE (incluyendo todos los partes componentes, los materiales impresos y modificados y cualquier actualización y/o EULA) y desde que el receptor está conforme con los términos de este EULA. Si el PRODUCTO DE SOFTWARE es una actualización, cualquier transferencia debe incluir también todas las versiones previas del PRODUCTO DE SOFTWARE.
 - Término - Sin perjuicio de cualesquiera otros derechos, DSC puede terminar este EULA si Usted negligencia el cumplimiento de los términos y condiciones de este EULA. En tal caso, usted debe destruir todos los copias del PRODUCTO DE SOFTWARE y todos sus partes componentes.

Marcas registradas - Este EULA no le concede ningún derecho con respecto a ninguna de las marcas registradas de DSC o de sus proveedores.

Todos los derechos reservados - Este EULA no concede ningún derecho de uso, y todos los derechos reservados a DSC, sus proveedores, sus licenciantes, sus socios, sus afiliados y sus representantes del PRODUCTO DE SOFTWARE, los materiales impresos que acompañan y todos los copias del PRODUCTO DE SOFTWARE, su propiedad de DSC o de sus proveedores. Usted no puede copiar los materiales impresos que acompañan al PRODUCTO DE SOFTWARE. Todos los títulos y derechos de propiedad intelectual en o relativos al contenido que pueden ser accedidos a través del uso del PRODUCTO DE SOFTWARE son de propiedad de su respectivo propietario de contenido y pueden estar protegidos por derechos de autor u otros tratados y leyes de propiedad intelectual. Este EULA no le concede ningún derecho de uso, y todos los derechos reservados a DSC y sus proveedores.

4. RESTRICCIONES DE EXPORTACIÓN - Usted se compromete a no exportar o reexportar el PRODUCTO DE SOFTWARE a ningún país, persona o entidad sujeta a las restricciones de exportación de Canadá.

5. ELECCIÓN DE LEY - Este Acuerdo de Licencia de Software se rige por las leyes de la Provincia de Ontario, Canadá.

6. ARBITRAJE - Todos los disputas que surjan con relación a este Acuerdo de Licencia de Software se resolverán por medio del arbitraje final y vinculante, de acuerdo con el Arbitration Act, y las partes acuerdan someterse a la decisión del árbitro. El lugar de arbitraje será Toronto, Canadá, y la lengua de arbitraje será el inglés.

7. GARANTÍA LIMITADA

- SIN GARANTÍA - DSC PROVEE SOFTWARE "TAL COMO ES", SIN GARANTÍA. DSC NO GARANTIZA QUE EL SOFTWARE SATISFARÁ SUS NECESIDADES O QUE TAL OPERACIÓN DEL SOFTWARE SERÁ ININTERRUPTA O LIBRE DE ERRORES.
- CAMBIO EN EL ENTORNO OPERATIVO - DSC no se responsabilizará de problemas causados por cambios en las características operativas del HARDWARE, o de problemas en la interacción del PRODUCTO DE SOFTWARE con SOFTWARE que no son de DSC o con PRODUCTOS DE HARDWARE.
- LIMITACIÓN DE RESPONSABILIDAD, CUOTA DE RIESGO DE LA GARANTÍA - EN CUALQUIER CASO, SI ALGUNA LEY IMPLICA GARANTÍAS O CONDICIONES ESTABLECIDAS EN ESTE ACUERDO DE LICENCIA, TODA LA RESPONSABILIDAD DE DSC BAJO CUALQUIER DISPOSICIÓN DE ESTE ACUERDO DE LICENCIA SE LIMITARÁ A LA MAYOR CANTIDAD YA PAGADA POR USTED PARA LICENCIAR EL PRODUCTO DE SOFTWARE (Y UNO DÓLARES CANADIENSES (CAD\$500), DEBIDO A QUE ALGUNAS JURISDICCIONES NO ACEPTAN LA EXCLUSIÓN O LIMITACIÓN DE LA RESPONSABILIDAD PARA DAÑOS CONSECUENTES INCIDENTALES. LAS LIMITACIONES CITADAS PUEDEN NO APLICARSE A USTED.
- EXENCIÓN DE LAS GARANTÍAS - ESTA GARANTÍA CONTIENE LA GARANTÍA COMPLETA Y EXCLUSIVA, EN LUGAR DE CUALQUIER OTRA GARANTÍA, YA EXPRESA O IMPLÍCITA (INCLUYENDO TODAS LAS GARANTÍAS IMPLÍCITAS DE MERCANTILIDAD O APTITUD PARA UN PROPÓSITO DETERMINADO) Y DE TODAS LAS OBLIGACIONES O RESPONSABILIDADES POR PARTE DE DSC. DSC NO CONCEDE OTRAS GARANTÍAS. DSC TAMPOCO ASUME NI AUTORIZA A NINGUNA OTRA PERSONA QUE PRETENDA ACTUAR EN SU NOMBRE PARA MODIFICAR O CAMBIAR ESTA GARANTÍA NI PARA ASUMIR PARA ELLA NINGUNA OTRA GARANTÍA O RESPONSABILIDAD RELATIVA A ESTE PRODUCTO DE SOFTWARE.
- REPARACIÓN EXCLUSIVA Y LIMITACIÓN DE LA GARANTÍA - BAJO NINGUNA CIRCUNSTANCIA DSC SERÁ RESPONSABLE DE CUALQUIER DAÑO ESPECIAL, IMPREVISTO O CONSECUENTE O DAÑOS INDIRECTOS BASADOS EN INFRACCIÓN DE LA GARANTÍA, INFRACCIÓN DEL CONTRATO, NEGLIGENCIA, RESPONSABILIDAD ESTRUCTA O CUALQUIER OTRA TEOBIA LEGAL. TALES DAÑOS INCLUYEN, PERO NO SE LIMITAN, A PERDIDAS DE BENEFICIOS, PÉRDIDA DEL PRODUCTO DE SOFTWARE O CUALQUIER EQUIPO ASOCIADO, COSTE DE CAPITAL, COSTE DE SUSTITUCIÓN O REEMPLAZO DE EQUIPO, INSTALACIONES O SERVICIOS, DOWN TIME, TIEMPO DEL COMPRADOR, REINDEMNACIONES DE TERCEROS, INCLUIDO CLIENTES, Y DAÑOS A LA PROPIEDAD. ADVERTENCIA: DSC recomienda que se pruebe todo el sistema completamente de modo regular. Sin embargo, a pesar de las pruebas frecuentes y debido a ellas, pero no limitado a las mismas, IMPORTANTE - LEA ATENTAMENTE el Software DSC comprado con o sin productos y Componentes tiene marca registrada y es adquirido bajo las siguientes condiciones de licencia: Este EULA no le concede ningún derecho de uso, y todos los derechos reservados a DSC, sus proveedores, sus licenciantes, sus socios, sus afiliados y sus representantes del PRODUCTO DE SOFTWARE, los materiales impresos que acompañan y todos los copias del PRODUCTO DE SOFTWARE, su propiedad de DSC o de sus proveedores. Usted no puede copiar los materiales impresos que acompañan al PRODUCTO DE SOFTWARE. Todos los títulos y derechos de propiedad intelectual en o relativos al contenido que pueden ser accedidos a través del uso del PRODUCTO DE SOFTWARE son de propiedad de su respectivo propietario de contenido y pueden estar protegidos por derechos de autor u otros tratados y leyes de propiedad intelectual. Este EULA no le concede ningún derecho de uso, y todos los derechos reservados a DSC y sus proveedores.

DECLARACIÓN DE CONFORMIDAD DE FCC

Previdencia - Los cambios o las modificaciones que no estén expresamente aprobadas por DSC pueden anular su autoridad de usar este equipo. Este equipo genera y utiliza energía de radio frecuencia y si no se instala y utiliza apropiadamente, en estricta conformidad con las instrucciones, puede causar interferencia a la recepción de radio y de televisión. Se ha probado y encontrado conforme con los límites del dispositivo Clase B, de acuerdo con las especificaciones en la Subparte 15 de la Parte 15 de las Reglas FCC, que están diseñadas para proporcionar protección razonable contra la interferencia en cualquier instalación residencial. No obstante, no hay garantía de que no ocurra interferencia en una instalación en particular. Si este equipo provoca interferencia a la recepción de radio o de televisión, lo cual puede determinarse al apagar y al encender el equipo, se le recomienda al usuario que intente corregir la interferencia tomando una o más de las siguientes medidas:

- Reorientar la antena de recepción.
- Reubicar el control de alarma o el receptor.
- Mueva el control de alarma a lejos del receptor.
- Conecte el control de alarma o en una toma de corriente diferente o fin de que el control de alarma y el receptor estén en circuitos diferentes.

De ser necesario, el usuario debe consultar con el distribuidor o con un técnico especializado en radio/televisión para sugerencias adicionales. Puede que el siguiente Folleto se prepare por la FCC sea útil para el usuario: "How to Identify and Resolve Radio/Television Interference Problems" (Cómo identificar y resolver problemas de interferencia de radio/televisión). Este instructivo está disponible en la Oficina de Impresión del Gobierno de los Estados Unidos, Washington D.C. 20460, número de artículo 004-000-00345-4.

Industria Canada

CAN 1 CES-309 NMB 3(B)

ES Certificación

El Módulo de Salida del Modelo HSM2208ha sido certificado por Telecommunication de acuerdo con EN50131-1:2006 + A1:2009 et EN50131-3:2009 Type A para un Grado 2, Clase II cuando se lo instala en el gabinete y PC5003C (puerta desmontable).

PowerSeries

neo



DSC

From Tyco Security Products

©2014 Digital Security Controls Toronto, Canada
www.dsc.com Tech. Support: 1-800-387-3630

HSM2208 v1.1 Instruções de Instalação

8 Módulos Expansores de Saída de corrente reduzida

Esta folha de instalação deve ser usada em conjunto com o Manual de Instalação do equipamento DSC ao qual o HSM2208 está conectado ou pelo qual é alimentado (por ex. controlador de alarme, fonte de alimentação, etc.). O módulo HSM2108 pode ser usado para adicionar até 8 saídas programáveis de corrente reduzida no controlador de alarme DSC compatível, modelos HS2016, HS2032, HS2064 e HS2128.

Especificações

- Limite de temperatura: -10°C a +55°C (0°C a +49°C para sistemas listados UL/ULC)
- Umidade relativa: 93% não-condensação
- Tensão de entrada: 10.8 a 12.5VDC/700mA (inclui 250mA AUX máximo mais 50mA para cada um das 8 saídas).
- A carga máxima é compartilhada com o painel de alarme compatível ou a saída AUX da fonte de alimentação.
- Placa de corrente: 60mA (condição de alarme definido/não definido e condição de não-alarme)
- Dimensões da placa: 45mm x 92mm; Peso: 35g
- Tensões AUX de saída: 10.8 a 12.5VDC, -15%/ +15% quando a voltagem de entrada está entre 85% a 110% do valor nominal e corrente de saída está entre 0mA - 250mA máx.
- Saídas PGM: Abra o coletor, comutado para terra, 50mA máx
- Fusível interno ajustável (PTC) usado na placa de circuito em vez de fusíveis substituíveis Não existem partes reparáveis pelo usuário
- Comprimento máximo do fio desde o painel de alarme: 1000"/305m

Descrições do Terminal

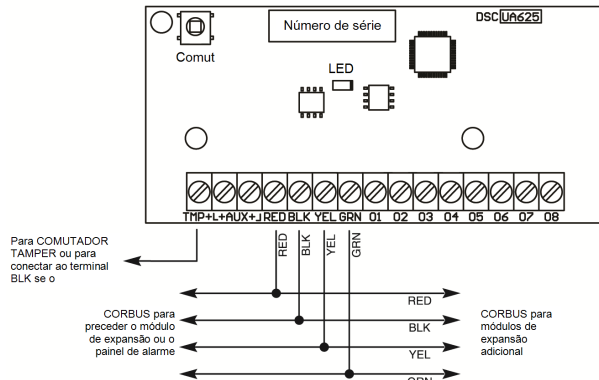
TMP - Usado para tamper da caixa na qual o HSM2208 está montado. Conecte a um comutador normalmente fechado (NC) através de TAM e PRETO. Se o tamper não for usado, conecte um pedaço de fio através de TAM e BLK para remover a condição do problema.

NOTA: Existe no módulo expansor um comutador tamper integrado localizado no canto superior esquerdo da placa de circuito. Se a caixa na qual o HSM2208 está montado possuir o equipamento necessário para pressionar o comutador de tamper, não conecte nada ao terminal TAM.

NOTA: A proteção de tamper é necessária para instalações de roubo comercial/residencial com classificação UL/ULC.

AUX+ - Existem dois terminais de alimentação AUX para fornecer uma fiação mais fácil. Estes terminais são usados para fornecer alimentação para dispositivos. A corrente máxima da placa não pode exceder 250 mA. Conecte o terminal positivo dos dispositivos alimentados para AUX e o negativo ao terminal de saída correto (O1 a O8).

Corbus - A conexão Corbus 4-vias é usada pelo painel para comunicar com o módulo. Conecte os terminais RED, BLK, YEL e GRN aos terminais Corbus no painel principal HS2016, HS2032, HS2064 ou HS2128.



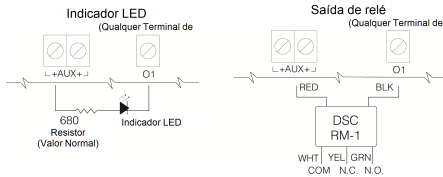
Para COMUTADOR TAMPER ou para conectar ao terminal BLK se o

CORBUS para proceder o módulo de expansão ou o painel de alarme

CORBUS para módulos de expansão adicional

CORBUS adicional

O1 a O4 - Conectar o terminal positivo do dispositivo ao terminal AUX e o terminal negativo ao terminal de saída apropriado O1 a O8.



Caixas

O HSM2208 pode ser instalado com o mesmo armário metálico que o controlador de alarme/fonte de alimentação (modelo Power UC1, PC5003C) ou em caixa separada (modelo PC4003C). A fiação interna e/ou externa para este módulo deve ser encaminhada, suportada, grampeada ou fixada de uma maneira que reduza a probabilidade de: distensão exagerada no fio e nas conexões do terminal, liberação das conexões do terminal e danos no isolamento do condutor.

O HSM2208 deve ser instalado em caixas de metal como indicado abaixo. Os comutadores de proteção de bloqueamento podem ser instalados em todas as caixas, incluindo a proteção de abertura da porta e/ou remoção da posição de montagem. As portas devem ser fixadas usando parafusos ou fechadura.

- Modelo PC5003C (porta removível)
- Modelo PC5003C (porta com dobradiças)
- Modelo Power UC1
- Modelo PC4003C
- Modelo CMC-1
- Modelo PC4050CAR (Roubo Comercial)
- Modelo PC4050CR (ULC--S559)

NOTA: Use PC4003C, PC5003C, CMC-1, PC4050CAR, ou PC4050CR para instalações com classificação UL/ULC.

Registrar automaticamente no Painel de Alarme

Para registrar o HSM2208 siga os seguintes passos:

- Certifique que o sistema não está conectado.
- Conecte o HSM2208 ao Corbus.
- Inicialize o sistema.
- Entre na seção [902] [000] e aguarde 1 minuto.
- Entre na seção [903] [003] para verificar se o módulo está supervisionado.

Registrar manualmente no Painel de Alarme

Para registrar o HSM2208 siga os seguintes passos:

- Certifique que o sistema não está conectado.
- Conecte o HSM2208 ao Corbus.
- Inicialize o sistema.
- Entre na seção [902] [001].
- Insira o número de série do módulo.
- Entre na seção [903] [003] para verificar se o módulo está supervisionado.

LED Estado

O HSM2208 podem possuir LEDs de status para indicar a condição atual do módulo. Se o HSM2208 estiver a funcionar corretamente, o estado LED ficará a piscar brevemente a cada 10 segundos. Quando houver uma condição de problema, o LED de condição exibirá uma série de flashes e depois ficará em branco durante 1,5 segundos. O número de flashes indica uma condição de problema como indicado embaixo.

Número de Flashes	Condição de Problema
1	Módulo não registrado
2	Problema de supervisão do painel de alarme
3	Baixa tensão CORBUS

Garantia Limitada

A Digital Security Controls (DSC) garante que, durante um período de 12 meses a partir da data de compra, o produto está isento de defeitos de material e de fabricação sob utilização normal e que, no cumprimento de eventuais falhas abrangidas por garantia, a Digital Security Controls reparará ou substituirá, conforme o mesmo entender, o equipamento o defeito usado após a devolução deste ao seu

entregador de reparações. Esta garantia abrange apenas defeitos em peças e de fabricação abrange danos ocorridos durante o envio ou manuseio, ou danos causados por fatores para além do controlo da Digital Security Controls, como raios, voltagem excessiva, choque mecânico, danos causados por água ou danos resultantes de abuso, alteração ou aplicação incorreta do equipamento.

A garantia precedente aplica-se apenas ao comprador original, sob reserva de todas e quaisquer outras garantias explícitas em impressos, e de todas e quaisquer outras abrangidas e responsabilidades por parte da DSC. Esta garantia contém toda a garantia. A Digital Security Controls não assume qualquer responsabilidade por, nem autoriza nenhuma pessoa que afirme e represente-la a modificar ou alterar esta garantia, nem a assumir qualquer outra garantia ou responsabilidade relativa a este produto. Em circunstâncias algumas a ser a DSC responsável por quaisquer danos diretos, indiretos ou consequenciais, perda de lucros previstos, perda de tempo ou quaisquer outros perdas incorridos pelo comprador relacionados com a compra, instalação, operação ou falha deste produto.

Avise: A Digital Security Controls recomenda que todo o sistema seja testado de forma integral periodicamente. No entanto, apesar de testes frequentes, é possível que este produto não funcione como esperado devido à, mas não limitado à, adulteração criminosa ou à interrupção de electricidade.

IMPORTANTE LEIA (COM ATENÇÃO): O software DSC, adquirido como ou sem Produtos e Componentes, respeita leis de direitos de autor e é comprado com a aceitação dos seguintes termos de licenciamento:

O Contrato de Licença de Utilizador Final (CLUF) (End User License Agreement ("EULA")) é um acordo legal entre a V.Exa.(empresa, indivíduo ou entidade que adquirir o Software ou qualquer Hardware relacionado) e a Digital Security Controls, uma divisão do Tyco Safety Products Canada Ltd. ("DSC"), o fabricante dos sistemas de segurança integrados e o programador do software e quaisquer produtos ou componentes relacionados ("HARDWARE") que V.Exa.adquiriu. Se for suposto o software do produto DSC ("PROGRAMA" ou "SOFTWARE") vir acompanhado de HARDWARE, e se verificar que NÃO vem acompanhado de novo HARDWARE, V.Exa.não poderá utilizar, copiar ou instalar o PROGRAMA. O PROGRAMA inclui software, e poderá incluir meios associados, materiais impressos e documentos eletrónicos ou digitais "online". Qualquer software fornecido com o PROGRAMA que esteja associado a um contrato de licença de utilizador final em separado está licenciado a V.Exa.nos termos desse mesmo contrato de licença.

Acostumar, copiar, descarregar, armazenar, aceder, ou outro, utilizando o PROGRAMA, V.Exa.concorda incondicionalmente e respeitar os termos deste CLUF (EULA), mesmo que o CLUF (EULA) seja considerado como uma modificação de quaisquer acordos ou contratos prévios. Se V.Exa.não concordar com os termos deste CLUF (EULA) a DSC não irá licenciar o PROGRAMA a V.Exa., e V.Exa.não terá direito à sua utilização.

LICENÇA DO PROGRAMA

O PROGRAMA está protegido por leis de direitos de autor e tratados internacionais de direitos de autor, bem como por outros tratados e leis de propriedade intelectual. O PROGRAMA é licenciado, não vendido.

- Este CLUF (EULA), concede a V.Exa.os seguintes direitos:
 - Instalação e Uso do Software — Para cada licença que V.Exa.adquiriu, apenas poderá ter uma cópia do PROGRAMA instalada.
 - Armazenamento/ Uso em Rede — O PROGRAMA não pode ser instalado, acedido, executado, executado, partilhado ou utilizado de forma concomitante em qualquer computador, computadores, incluindo estações de trabalho, terminais ou outros dispositivos eletrónicos digitais ("dispositivo"). Por outras palavras, se V.Exa.tem várias estações de trabalho, terá de adquirir uma licença para cada estação de trabalho onde o SOFTWARE vai ser utilizado.
 - Cópia de Segurança — V.Exa.poderá efetuar cópias de segurança do PROGRAMA, mas poderá apenas ter uma cópia por cada licença instalada numa determinada altura. V.Exa.poderá utilizar a cópia de segurança de emergência de backup. Exceção quando expressamente mencionado neste CLUF (EULA), V.Exa.não poderá efetuar cópias do PROGRAMA, incluindo os materiais impressos que acompanham o SOFTWARE.

2. DESCRIÇÃO DE OUTROS DIREITOS E LIMITAÇÕES.

- Limitações sobre Engenharia Inversa, Descompilação e Desmontagem — V.Exa.não poderá fazer engenharia inversa, descompilação ou desmontagem do PROGRAMA, exceção feita à actividade cuja extensão é permitida por lei aplicável, sem oposição a esta limitação. V.Exa.não poderá efetuar alterações ou modificações ao Software, sem autorização escrita por parte de um responsável da DSC. V.Exa.não poderá remover, matar de propriedade, marcas ou etiquetas do Programa. V.Exa.irá substituir medidas e processos para que possa garantir a conformidade com os termos e condições deste CLUF (EULA).
- Separação de Componentes - O PROGRAMA é licenciado como um produto único. As partes que constituem não podem ser separadas para utilização em mais do que uma unidade de HARDWARE.
- PRODUTO ÚNICO INTEGRADO — Se V.Exa.adquiriu este SOFTWARE com HARDWARE, então o PROGRAMA é licenciado com o HARDWARE como um produto único integrado. Neste caso, o PROGRAMA só pode ser utilizado com o HARDWARE como determinado neste CLUF (EULA).
- Aluguer — V.Exa.não poderá alugar, ceder ou emprestar o PROGRAMA. V.Exa.não poderá disponibilizar o outro ou colocá-lo num servidor ou página Web.
- Transferência do Programa — V.Exa.poderá transferir todos os seus direitos abrangidos por este CLUF (EULA) apenas com a parte de uma venda ou transferência permanente do HARDWARE, desde que V.Exa.não fique com quaisquer cópias, transferir a todo o PROGRAMA (incluindo todos os componentes, meios e materiais impressos, quaisquer imagens, arquivos e texto incorporado no PROGRAMA), os materiais impressos que o acompanham ou quaisquer cópias do PROGRAMA, são propriedade da DSC ou dos seus fornecedores. V.Exa.não poderá copiar os materiais impressos que o acompanham o PROGRAMA. Todos os títulos e direitos de propriedade intelectual no e para o conteúdo que poderá vir a ser acedido através do uso do PROGRAMA são propriedade dos respectivos proprietários do conteúdo e não são propriedade do usuário. Nenhum conteúdo ou produto de terceiros ou outros tratados e leis de propriedade intelectual. Este CLUF (EULA) não contém a V.Exa.quaisquer direitos sobre o uso desses conteúdos. A DSC e os seus fornecedores reservam todos os direitos nos impressos do artigo deste CLUF (EULA).

4. RESTRIÇÕES À APLICAÇÃO. V.Exa.assume que não exportará o PROGRAMA para qualquer país, indivíduo ou entidade sujeito a restrições de exportação (sanções).

5. LEGISLAÇÃO APLICÁVEL: Este Acordo de Licença de Software é regido pelas leis da Província de Ontário, Canadá.

6. ARBITRAGEM: Todos os conflitos emergentes da relação com este Acordo serão deturminados por arbitragem final e mandatória no abrigo do Arbitration Act, ficando as partes sujeitas à decisão arbitral. O local designado para a arbitragem será Toronto, no Canadá, e a língua utilizada na arbitragem será o Inglês.

7. LIMITES DE GARANTIA

- ISENÇÃO DE GARANTIA. A DSC FORNECE SOFTWARE "TAL COMO ESTÁ" SEM GARANTIA. A DSC NÃO GARANTE QUE O SOFTWARE IRÁ AO ENCONTRO DOS SEUS REQUISITOS OU QUE O FUNCIONAMENTO DO SOFTWARE SEJA ININTERRUPTO OU LIVRE DE ERROS.
- ALTERAÇÕES AMBIENTE OPERATIVO. A DSC não se responsabiliza por problemas causados por alterações às características operativas do HARDWARE, ou por problemas na interação do PROGRAMA com SOFTWARE ou HARDWARE não produzido pela DSC.
- LIMITAÇÕES DE RESPONSABILIDADE. A GARANTIA REFLETE A ALOCAÇÃO DE RISCO - EM QUALQUER CASO, SE ALGUM ESTATUTO IMPLICAR GARANTIAS OU CONDIÇÕES NÃO MENCIONADAS NESTE ACORDO DE LICENÇA, A RESPONSABILIDADE TOTAL DA DSC NÃO SERÁ SUPERIOR AO VALOR EFECTIVAMENTE PAGO POR VEXA.PELA LICENÇA DESTA PROGRAMA E CINCO DOLÁRES CANADIANOS (CAD\$50). PORDE ALÉM DISSO, O PERMITE A EXCLUSÃO OU LIMITAÇÃO DE RESPONSABILIDADE PARA DANOS CONSEQUENTES OU ACIDENTAIS. A LIMITAÇÃO ANUAL INDICADA PODERÁ NÃO SE APLICARÀ VEXA.
- ISENÇÃO DE GARANTIA. ESTA GARANTIA CONTÉM A GARANTIA COMPLETA E DEVERÁ PREVALEECER SOBRE TODA E QUALQUER GARANTIA, EXPRESSA OU IMPLÍCITA (INCLUINDO TODAS AS GARANTIAS DE COMERCIALIZAÇÃO OU ADAPTAÇÃO PARA UM DETERMINADO FIM) E A TODAS AS OUTRAS OBRIGAÇÕES OU RESPONSABILIDADES POR PARTE DA DSC. A DSC NÃO DÁ QUAISQUER OUTRAS GARANTIAS. A DSC NÃO ASSUME NEM AUTORIZA QUALQUER OUTRA PESSOA A AGIR EM SEU NOME NA MODIFICAÇÃO DESTA GARANTIA, NEM PARA QUE POSSA ASSUMIR POR SI(DSC) QUALQUER OUTRA GARANTIA OU RESPONSABILIDADE RELACIONADA COM ESTE PROGRAMA.
- DIREITOS EXCLUSIVOS E LIMITAÇÃO DE GARANTIA. EM NENHUMA CIRCUNSTÂNCIA SERÁ A DSC RESPONSABILIZADA POR QUAISQUER DANOS ESPECIAIS, ACIDENTAIS, CONSEQUENTES OU INDIRECTOS RESULTANTES DE FALHAS NA GARANTIA, FALHAS NO CONTRATO, NEGLIGÊNCIA, RESPONSABILIDADE OBJECTIVA, OU QUAISQUER OUTRAS TEORIAS LEGAIS. TAIS DANOS INCLUEM, MAS NÃO SE LIMITAM, PERDA DE LUCROS, PERDA DO PROGRAMA OU EQUIPAMENTO ASSOCIADO, CUSTO DE CAPITAL, CUSTOS COM EQUIPAMENTO DE SUBSTITUIÇÃO, INSTALAÇÕES OU SERVIÇOS, TEMPO PERDIDO, TEMPO DE COMPRA, EXIGÊNCIAS DE TERCEIROS, INCLUINDO CLIENTES, EMPREGUO SOBRE A PROPRIEDADE. ATENÇÃO: A DSC recomenda que todo o sistema seja completamente testado numa base de regularidade. Liberar, salv ved regular est testing, vil det gramet, men ikke bear ansvar til dette terminal, såbort alle deler af dette system, var e mulig at dette PROGRAMVAREPRODUKTET ikke vil yte som forventet.

DECLARAÇÃO CONFORMIDADE FCC

ADVARSSEL: Endringer eller modifikationer som ikke er specificeret i Digital Security Controls kan gjore at det ikke langer har ret til til bruk utstyrret. Este equipamento e ger a utilizar energia de radio e aplicaçao e caso não seja instalado e utilizado corretamente, e de acordo com as instruções do fabricante, pode causar interferência na recepção de rádio e de televisão. Ful completamente e este e compre com os limites para um dispositivo de Classe B de acordo com as especificações na Subsecção "B" da Parte 15 dos Regras FCC, que visam fornecer protecção razoável contra tais interferências em qualquer instalação residencial. Men det finnes ingen garanti for at interferences ikke vil oppstå i enhver installasjon. Se este equipamento e caso inter ferências em qualquer instalação residencial, o que pode ser deterrminado com o desmontando o equipamento, o usuário é encorajado a corrigir o inter ferências através de uma ou mais das seguintes medidas:

- Reorientar a antena receptora
- Desloque o controle do alarme e em relação ao receptor
- Afastar o controle do alarme do receptor
- Conecte o controle do alarme em uma tomada diferente de forma a que o controle do alarme e o receptor estejam em circuitos diferentes.

Caso seja necessário, o usuário deve consultar o comerciante ou um técnico de televisão/rádio experiente e por sugestões adicionais. O usuário pode achar de utilidade esta brochura preparada pela FCC: "How to Find and Resolve Radio/Television Interference Problems" (Como Identificar e Solucionar Problemas de Interferência de Rádio/Televsão). Esta brochura é disponível no U.S. Government Printing Office, Washington D.C. 20402, Stock # 004-000-00345-4.

Industry Canada

CAH 1CES-300/NMB-3(B)

PT Certificação

O modelo do Módulo de Saída HSM2208 foi certificado pela Telecomunicações conforme EN50131-1:2006 +A1:2009 e EN50131-3:2009 Tipo A para Grau 2, Classe II sempre que instalado na caixa PC5003C.

PowerSeries



DSC

From Tyco Security Products

©2014 Digital Security Controls Toronto, Canada

www.dsc.com Tech. Técnica: 1-800-378-3630