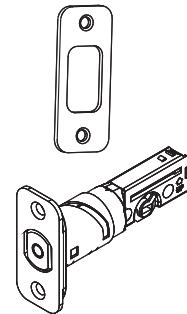
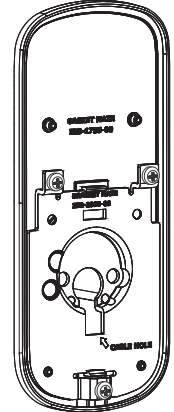
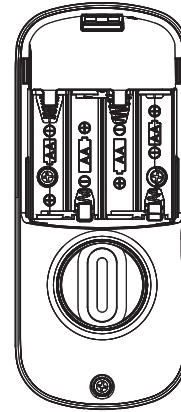
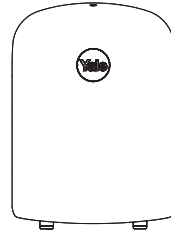
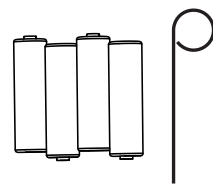
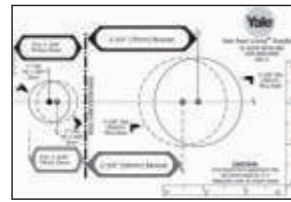
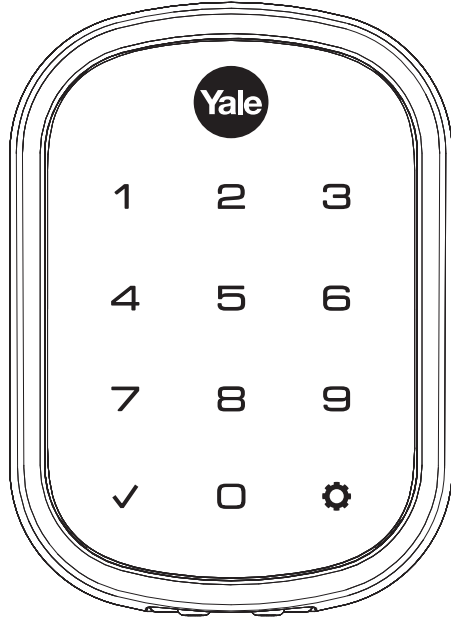




# Yale Pro™ SL

## Key-Free Touchscreen Deadbolt with Z-Wave Plus (YRD156) Installation and Programming Instructions



**x3**  
#8-32 x 5/16"  
Machine screws



**x4**  
#7 wood & #8-32  
machine x 20mm  
Combination screws



**x2 Gold**  
M6x36mm  
PPHMS  
(1-3/8")



**x2 Black**  
M6x44mm  
PPHMS  
(Standard 1-3/4" - 2")



**x2 Silver**  
M6x55mm  
PPHMS  
(2-1/4")

### Before you begin

## DOWNLOAD THE BILT APP

for step-by-step installation  
instructions & to register  
your product



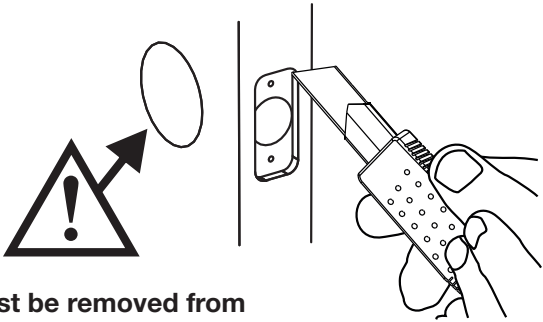
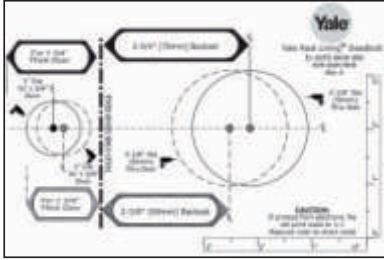
# BILT.



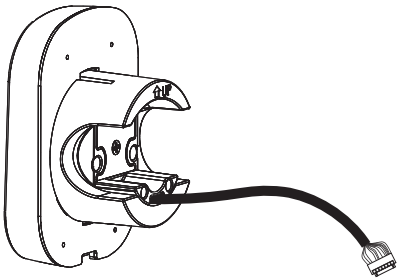
FAILURE TO FOLLOW THESE INSTRUCTIONS COULD RESULT IN DAMAGE TO  
THE PRODUCT AND VOID THE FACTORY WARRANTY



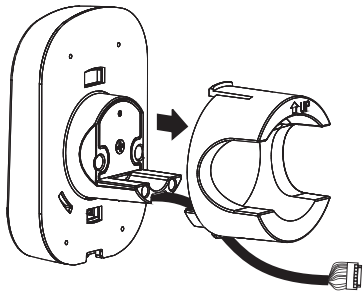
# Preparing Door and Touchscreen Escutcheon



Cup must be removed from escutcheon if bore hole is less than 2-1/8".



2-1/8" Application



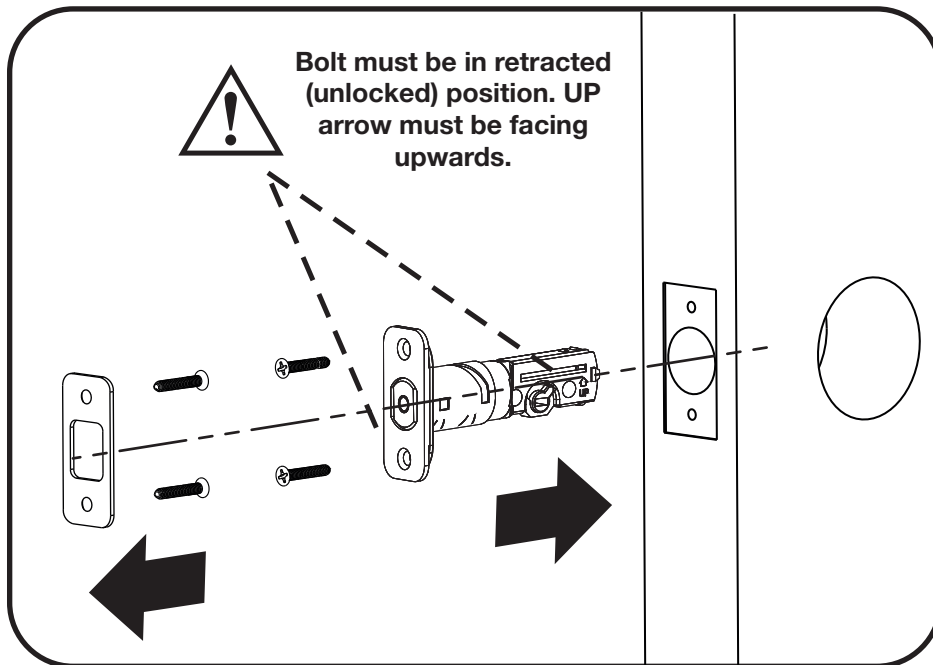
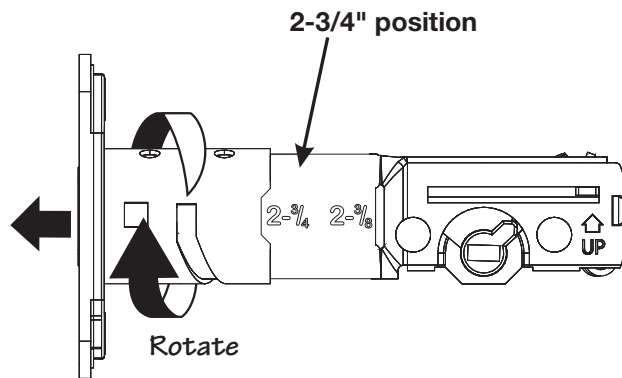
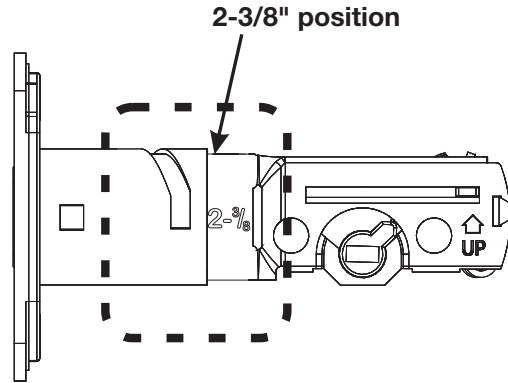
<2-1/8" Application

# 1

## Installing Latch & Strike Plate

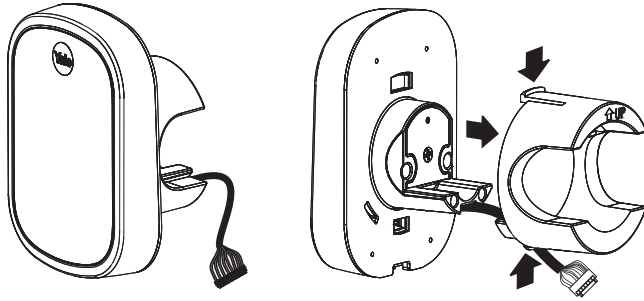


x4

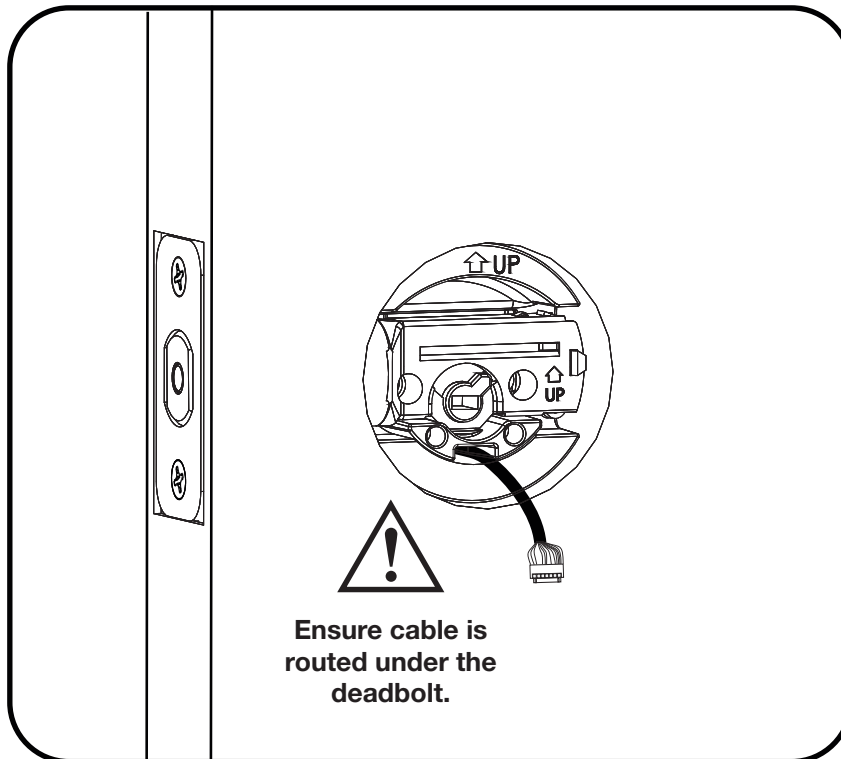
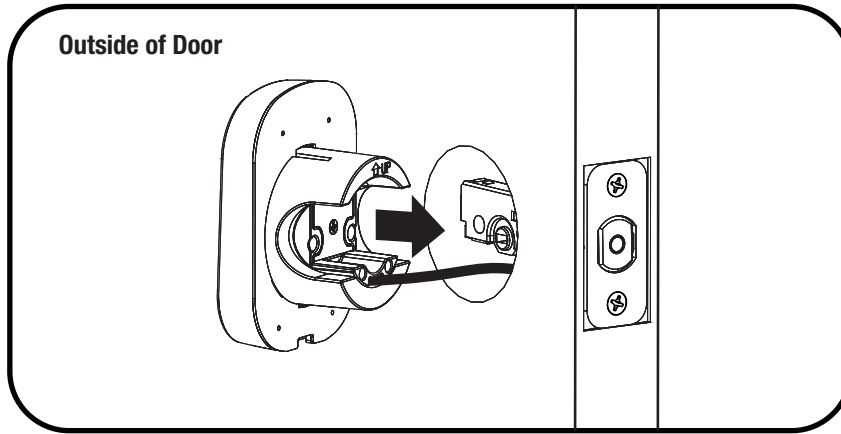


# 2

## Installing Touchscreen Escutcheon

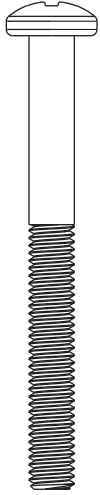


If bore hole is less than 2-1/8", remove cup by gently compressing two tabs while pulling.



# 3

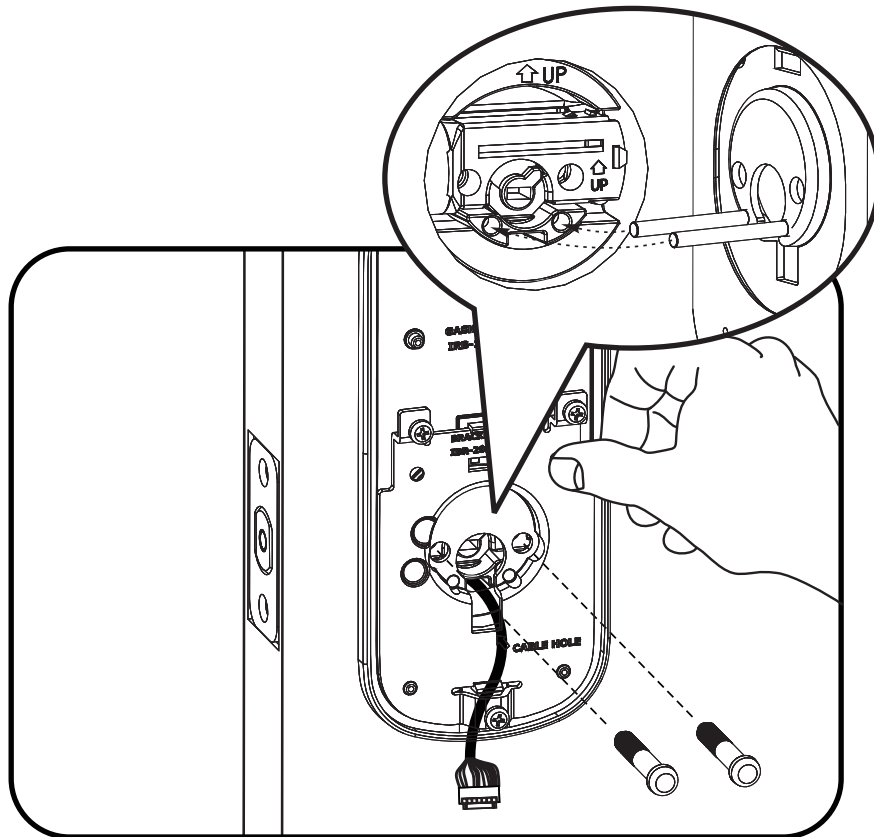
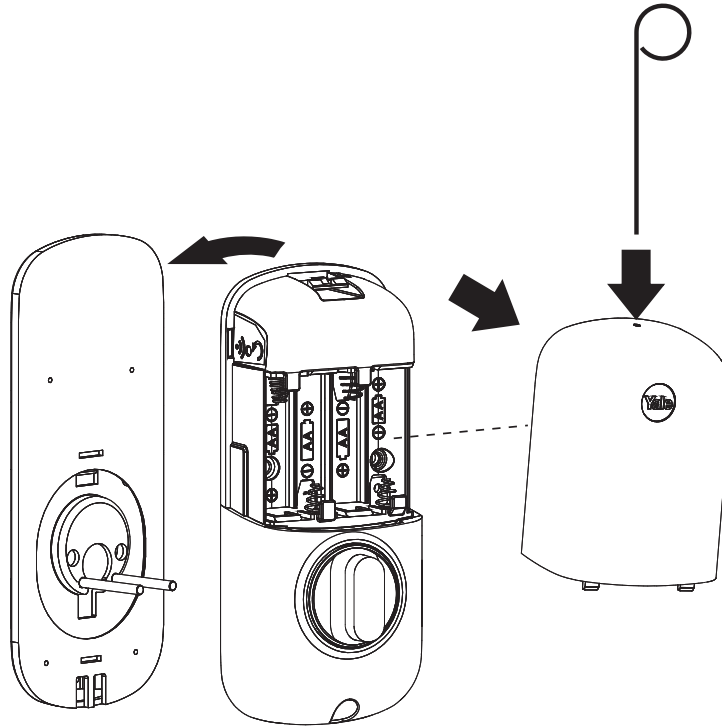
## Installing Interior Mounting Plate



x2

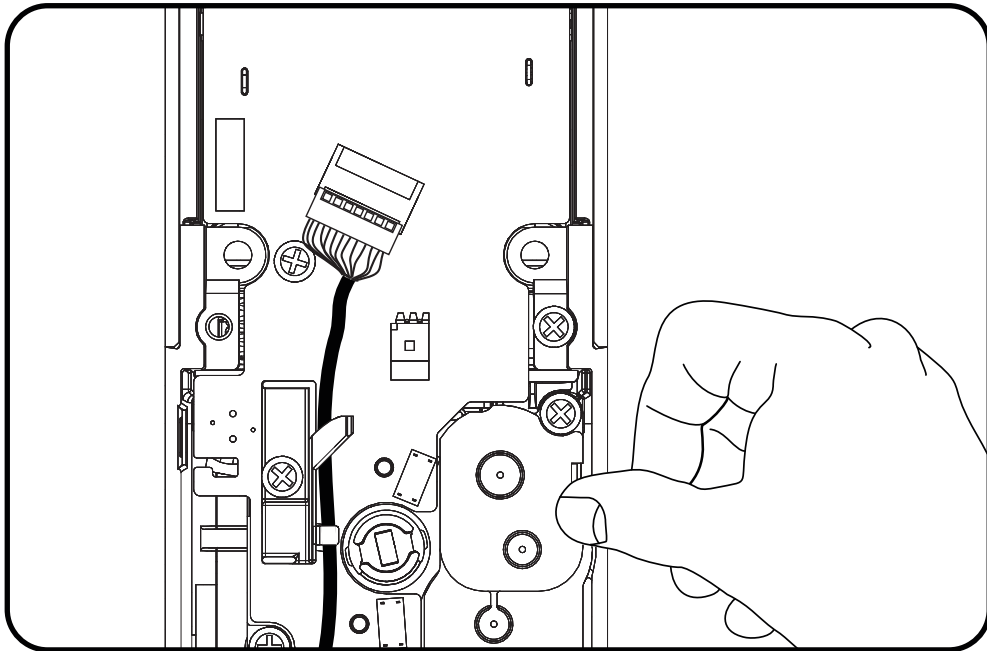
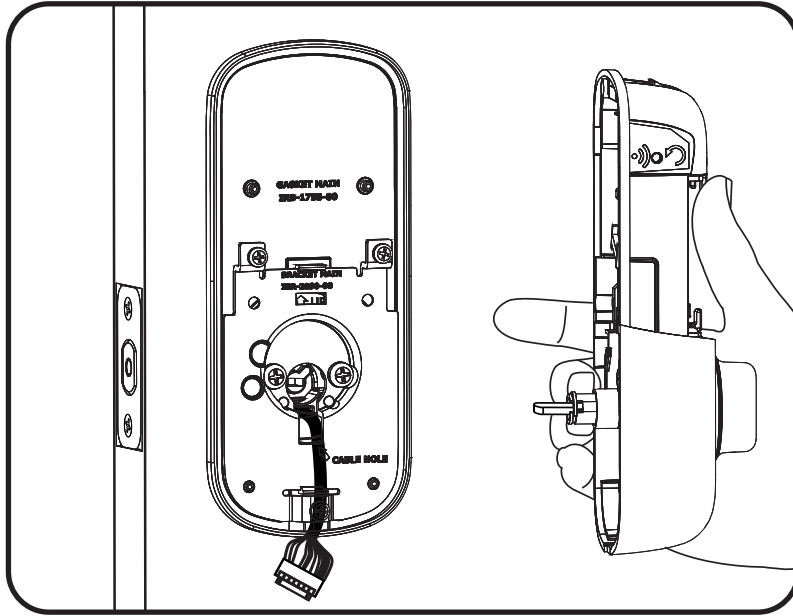


Choose through bolt appropriate for your door thickness.



# 4

## Attaching the Cable Assembly

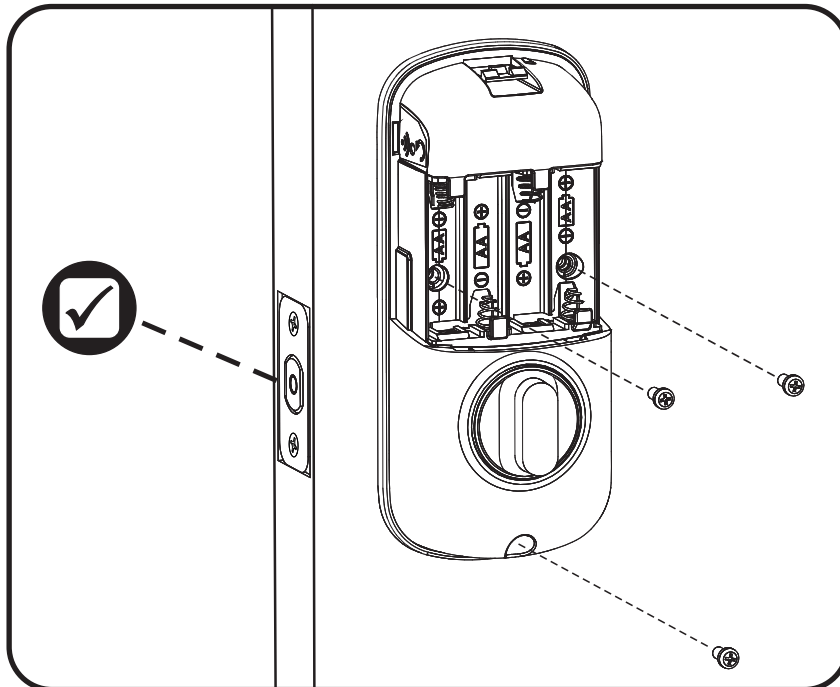
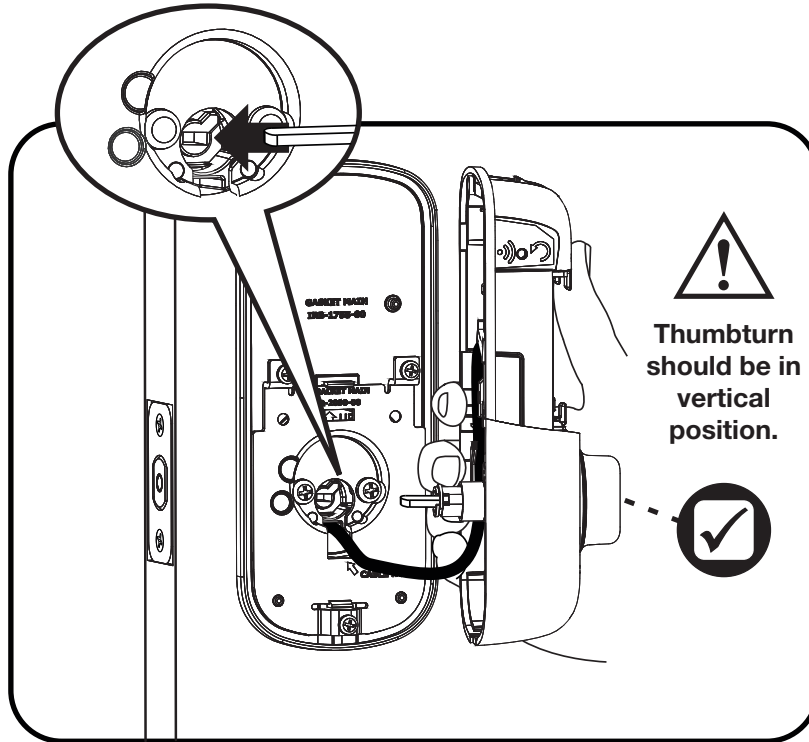


# 5

## Installing Interior Escutcheon

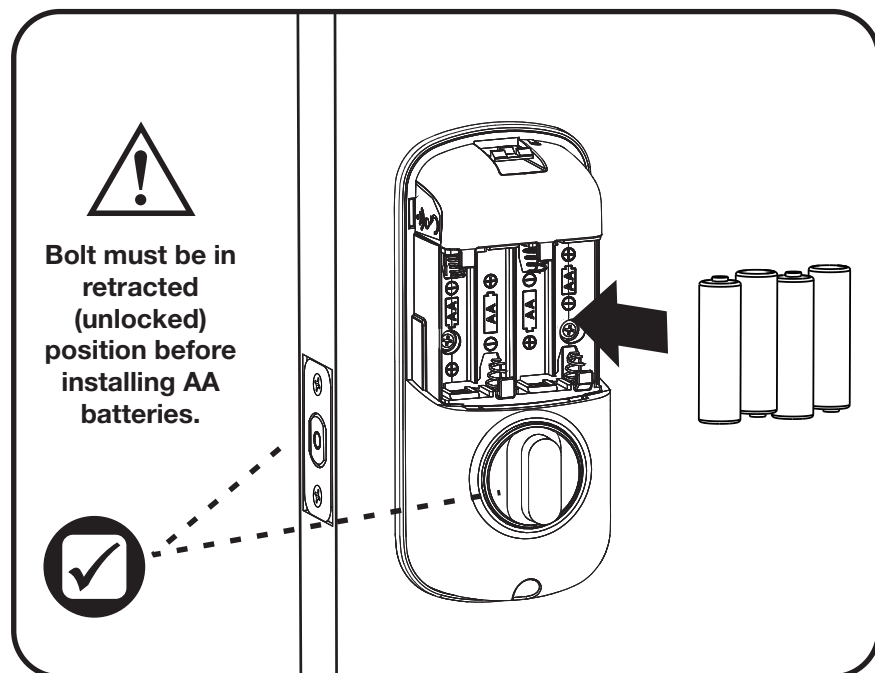
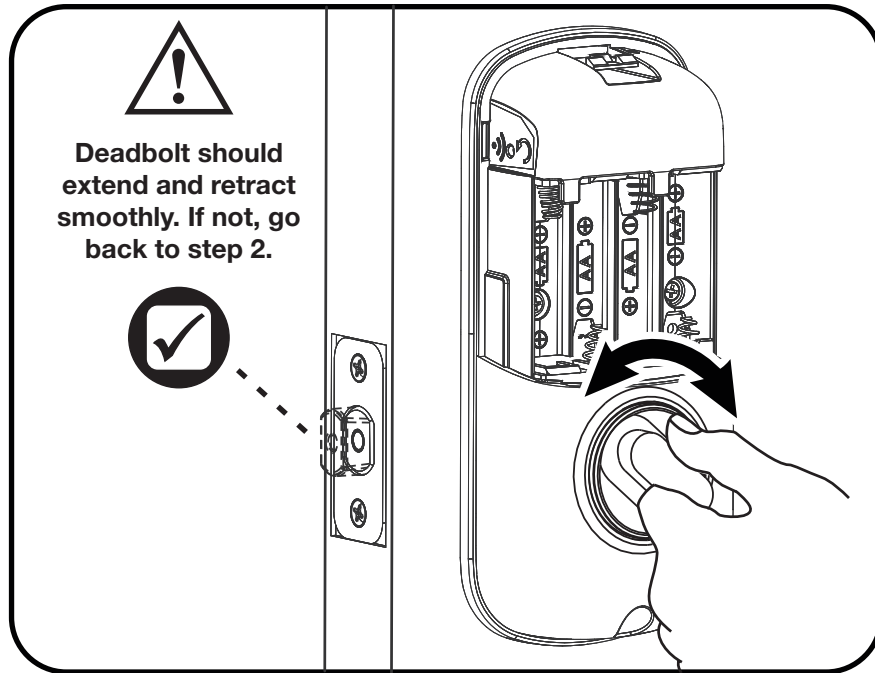


x3







# Testing Operation





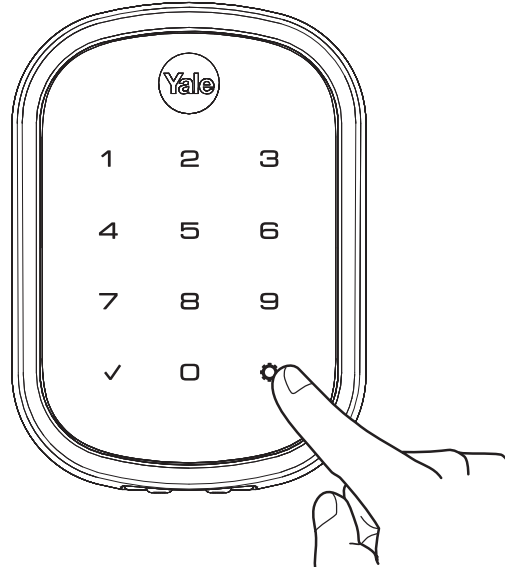


# Initial Programming

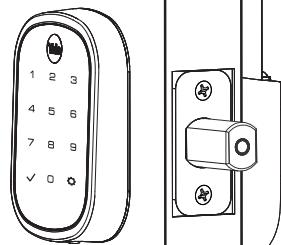
Press .  
Enter new Master PIN  
code (4-8 digits).  
Press  to complete.



Lock will not operate  
until gear is pressed  
and Master PIN code  
is set.

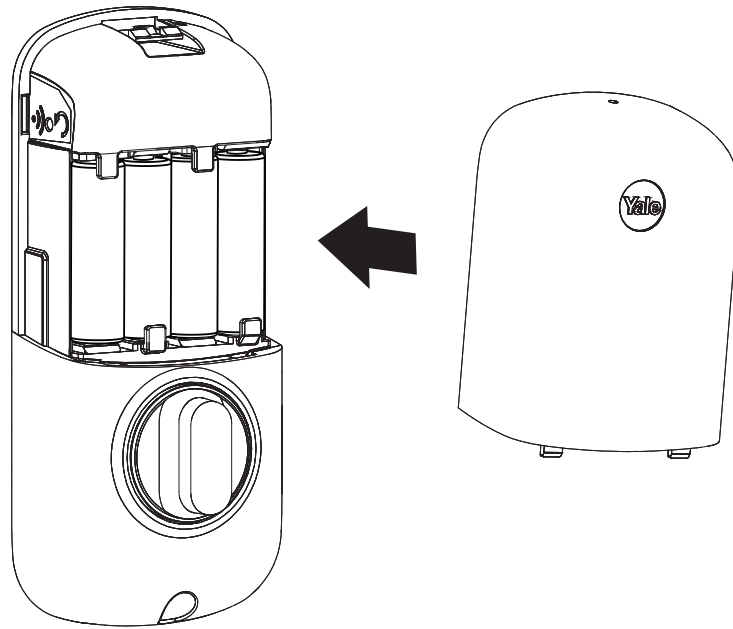


After entering the Master PIN  
code, press any key to complete  
handing.



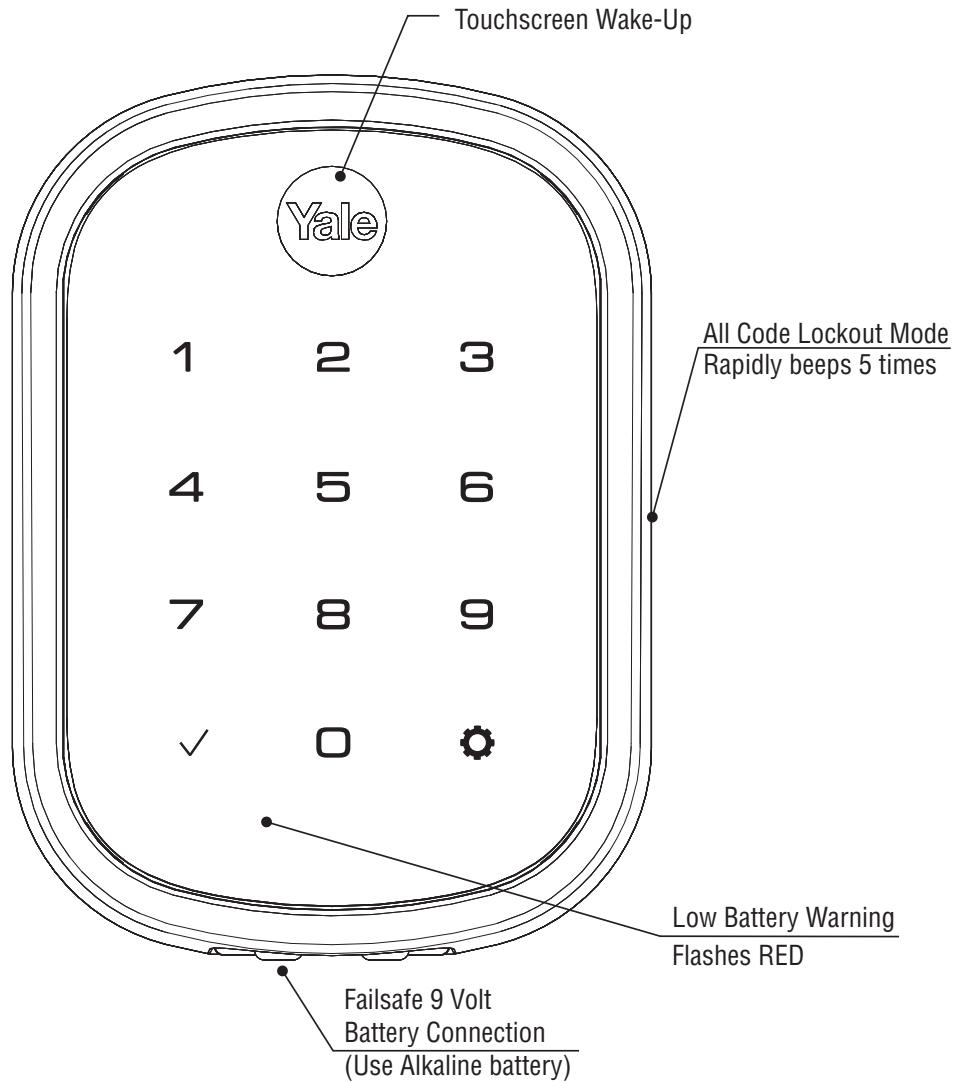
# 6

## Installing Cover



Congratulations, you've installed the **Yale Pro™ SL**  
Key-Free Touchscreen Deadbolt with Z-Wave Plus (YRD156)!  
Continue with Programming Instructions to customize your product.

# Programming Instructions

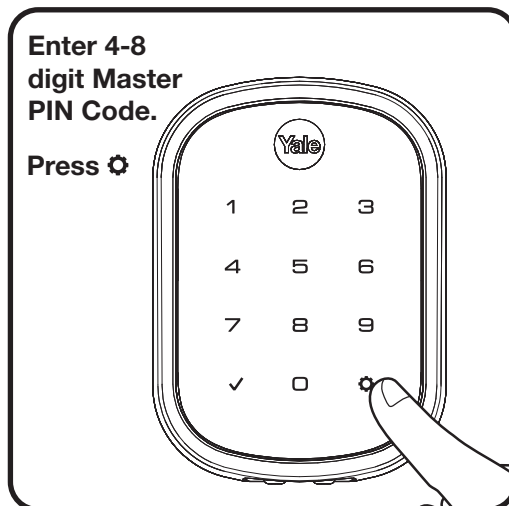
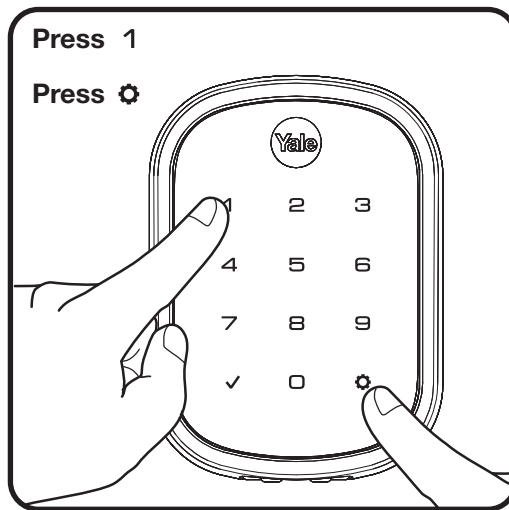
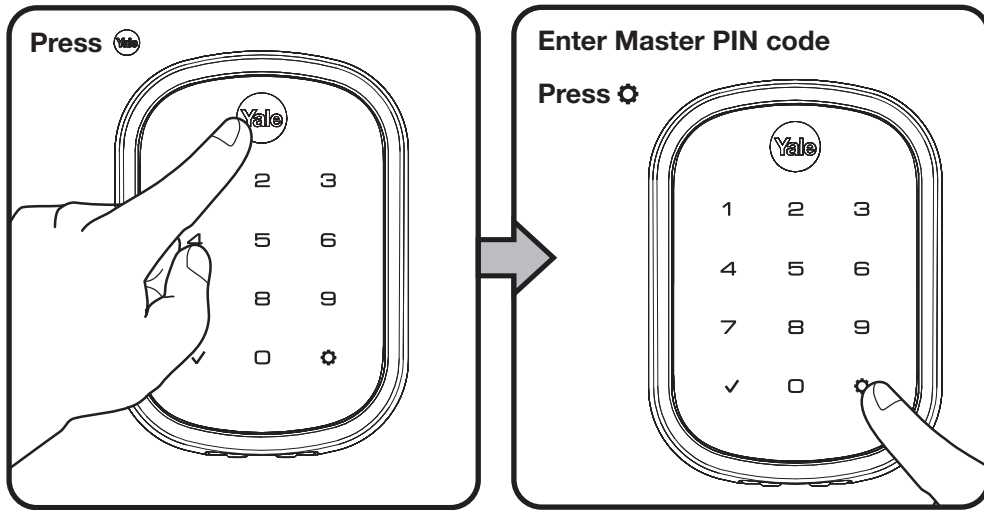


Master PIN Code must be created before any further programming.  
Max User Codes = 250 in network

**Warning:** Changes or modifications to this device, not expressly approved by ASSA ABLOY Residential Group could void the user's authority to operate the equipment.

# 1

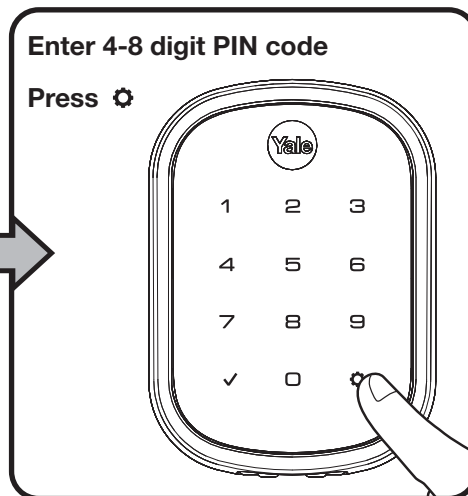
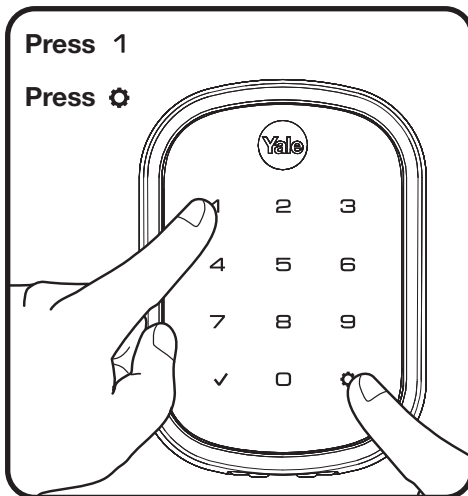
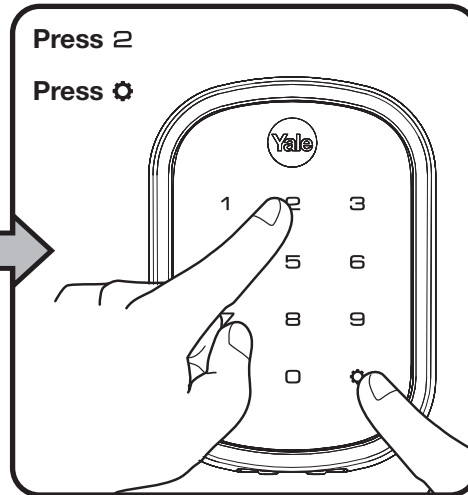
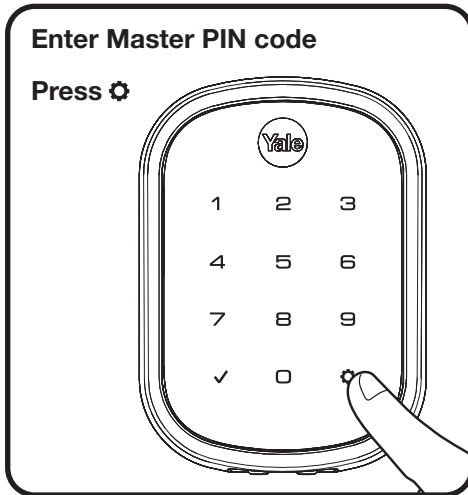
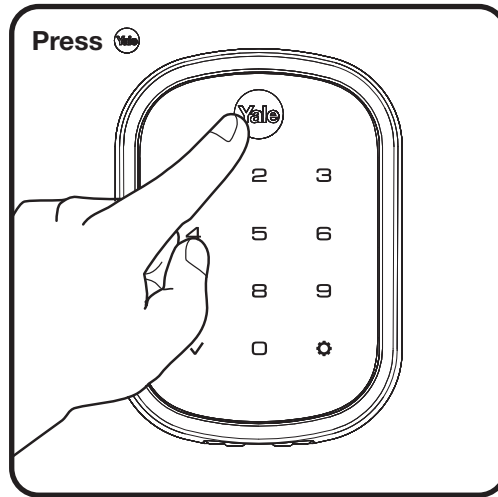
## Changing Master PIN Code



# 2

## Creating User PIN Codes

Master PIN code must be created first.  
Max User Codes = 250 in network





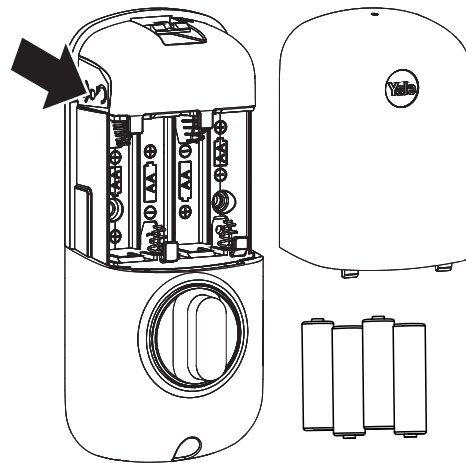
# Resetting Lock to Factory Default

When lock is reset to factory defaults all user codes (including the Master PIN code\*) are deleted and all programming features are reset to original default settings (see "Factory Default Settings").

1. Remove the battery cover.
2. Remove the batteries.
3. While pressing the reset button (minimum of 3 seconds) reinstall batteries. Release reset button.
4. Replace battery cover.


Upon reset, Master Code creation is the only option available and must be performed prior to any other programming of the lock.


NOTE: After setting the Master Code, press any key to complete handing of the lock.




# Enrolling Lock In Z-Wave Plus Network


Your network controller first needs to be in enrollment or exclusion mode for the lock to be enrolled or removed from network.

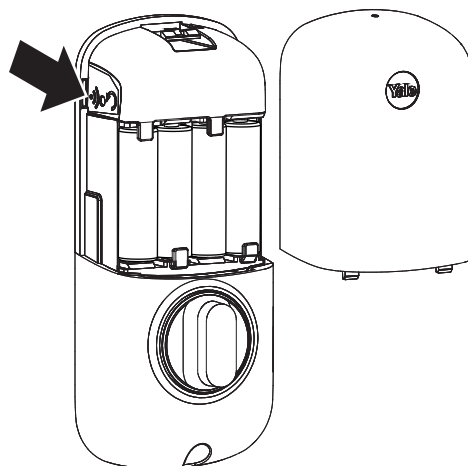
Once you put the controller in the enrollment or exclusion mode, the lock can be enrolled or removed in the Z-Wave Plus network by pressing the  button.

To enroll lock using the  button option:

1. Remove the battery cover.
2. Press  button and hold until unit beeps two (2) times.
3. Release button and network joining automatically begins.
4. Replace battery cover.

To remove lock using the  button option:

1. Remove the battery cover.
2. Press  button and hold until unit beeps five (5) times.
3. Release button and network removal automatically begins.
4. Replace battery cover.



# Definitions

**All Code Lockout Mode:** This feature is enabled by the Master code. When enabled, it restricts all user (except Master) PIN code access. When attempting to enter a code while the unit is in Lockout, the lock rapidly beeps 5 times.

**Audio Mode:** Choosing **Disable (3)** in Audio mode shuts off the code confirmation tone play-back for use in quiet areas. Audio mode is enabled or disabled through feature programming by the Master code.

**Automatic Re-lock Time:** After a successful code entry or manual unlock with the key, the lock will automatically re-lock after each unlock in an effort to keep your home secure. This feature is optional, and can be turned off. In the ON mode, the lock will automatically re-lock after thirty (30) seconds.

**Low Battery:** When battery power is low, the Low Battery Warning Indicator flashes RED. If battery power is completely lost, use the 9Volt battery override. To use the 9V battery override apply 9V battery, in either direction, to terminals below the touchscreen for backup power option. Wake up the lock and enter your pin code to unlock the door.

**Master PIN Code:** The Master PIN code is used for programming and for feature settings. **It must be created prior to programming the lock.** The Master code will also operate (unlock/lock) the lock.

**Network Setting:** This setting is available through the wireless button on the interior escutcheon  and allows the lock to connect with a network controller.

**One Touch Locking:** When the latch is retracted, activating the touchscreen will extend the latch (during Automatic Re-lock duration or when Automatic Re-lock is disabled).

**Shutdown Time:** The unit will shutdown (flashing touchscreen) for sixty (60) seconds and not allow operation after the wrong code entry limit has been met.




**Tamper Alert:** Audible alarm sounds if attempting to forcibly remove outside lock from door.

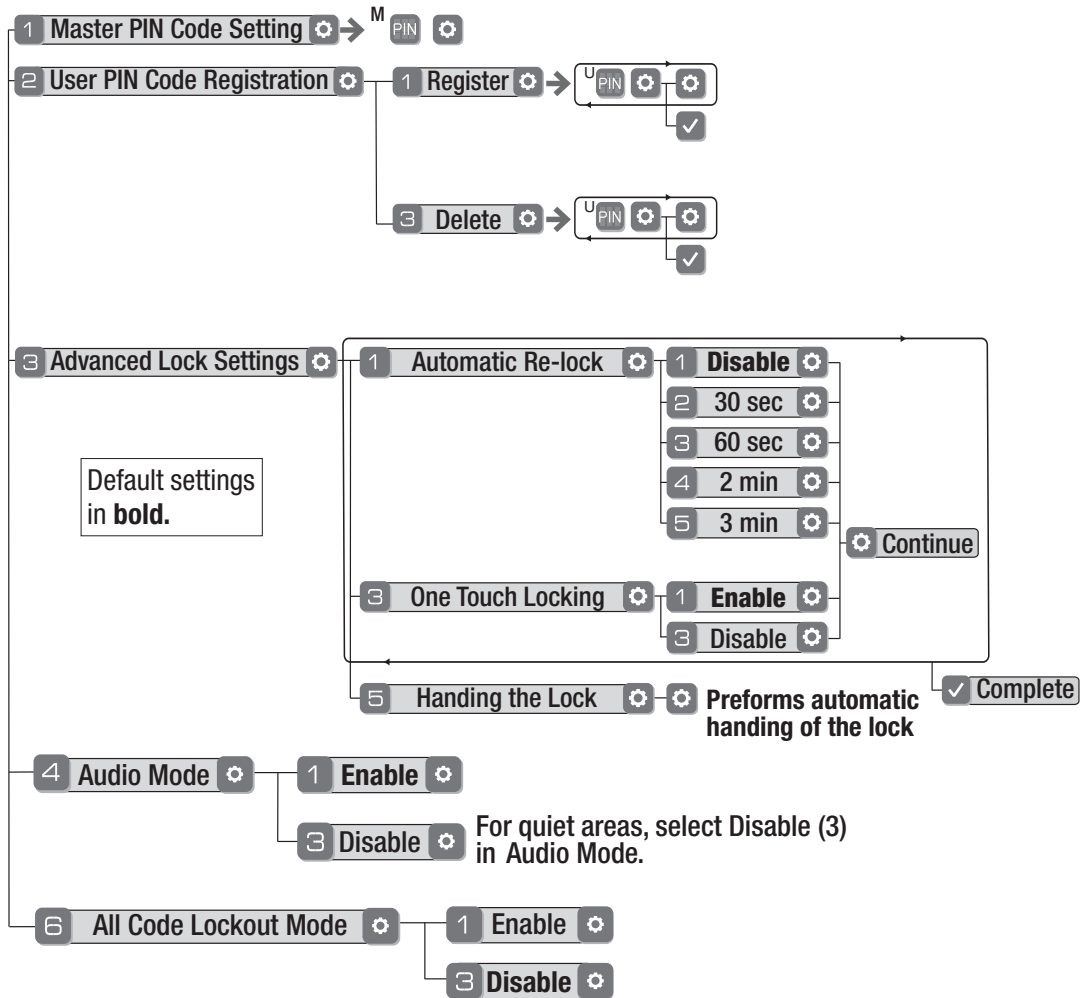
**User PIN Code:** The User code operates the lock. Maximum number of user codes is 250 in network.

**Wrong Code Entry Limit:** After five (5) unsuccessful attempts at entering a valid PIN code, the unit will shut down and not allow operation for sixty (60) seconds.



# Feature Programming Through Menu Mode Using Master PIN code\*

1. Wake the lock by pressing the  .
2. Enter the 4-8 digit Master PIN code followed by the  key.
3. Enter digit corresponding to the function to be performed followed by the  key.



## Factory Settings

Settings	Factory Setting
Master PIN Code	Registration <i>required*</i>
Automatic Re-lock	Disabled
One Touch Locking	Enabled
Audio	Enabled
Automatic Re-lock Time	30 Seconds
Wrong Code Entry Limit	5 Times
Shutdown Time	60 Seconds

\*The Master PIN code must be registered prior to any other programming of the lock.

# Programming Troubleshooting

Symptom	Suggested Action
Lock does not respond – door is open and accessible.	<ul style="list-style-type: none"> <li>• Press each touchscreen key for response when pressed.</li> <li>• Check batteries are installed and oriented correctly (polarity) in the battery case.</li> <li>• Check batteries are in good condition; replace batteries* if discharged.</li> <li>• Check to see if cable is fully connected and not pinched.</li> </ul>
Lock does not respond – door is locked and inaccessible.	<ul style="list-style-type: none"> <li>• Batteries may be completely discharged.</li> <li>• Apply 9V battery to terminals below the touchscreen for backup power option.</li> </ul>
Unit chimes to indicate code acceptance, but the door will not open.	<ul style="list-style-type: none"> <li>• Check to see if there is another locking device on the door.</li> <li>• Check the door gaps for any foreign objects between door and frame.</li> <li>• Check that the cable is firmly connected to the PC board.</li> </ul>
Unit operates to allow access, but will not automatically re-lock.	<ul style="list-style-type: none"> <li>• Check to see if Auto Re-lock Mode is enabled.</li> <li>• If low battery indicator is lit (see below), change batteries*.</li> </ul>
PIN codes will not register.	<ul style="list-style-type: none"> <li>• PIN codes must consist of 4 to 8 digits to register.</li> <li>• The same PIN code cannot be used for multiple users.</li> <li>• Registration/management of PIN codes is set by the authority of the Master Code.</li> <li>• Contact the Master user.</li> <li>• User codes must be entered within 20 seconds or the process will have to be restarted.</li> <li>• Check mark ✓ or gear ⚙ cannot be used as part of the PIN code.</li> </ul>
Upon entering a PIN code and pressing the ✓ key, the lock gives a series of beeps, flashes red 7 times, and does not unlock.	<ul style="list-style-type: none"> <li>• All Code Lockout Mode is enabled.</li> <li>• Only the Master can enable/disable All Code Lockout Mode.</li> <li>• Contact the Master user.</li> </ul>
Upon entering a PIN code and pressing the ✓ key, there are different tones.	<ul style="list-style-type: none"> <li>• Check to see if the lock is set to All Code Lockout Mode.</li> <li>• Setting/managing All Code Lockout Mode is done through Master Code only. Contact the Master user.</li> </ul>
The unit operates, but it makes no sound.	<ul style="list-style-type: none"> <li>• Enable Audio Mode.</li> </ul>
The unit displays intermittent RED flashes.	<ul style="list-style-type: none"> <li>• This is the Low Battery indicator alerting that it is time to replace the batteries. Replace all four (4) batteries* with new AA Alkaline batteries.</li> </ul>
Upon entering a PIN code and pressing the ✓ key, the unit responds with a series of beeps and the touchscreen flashes three times.	<ul style="list-style-type: none"> <li>• The digits entered were incorrect or incomplete. Re-enter the correct code followed by the check mark ✓ key.</li> </ul>

\* When batteries are replaced, Network locks have a real time clock that will be set through the User Interface (UI); it is recommended to verify correct date and time particularly those locks operating under Daylight Saving Time (DST).



**Warning:** Changes or modifications to this device, not expressly approved by **ASSA ABLOY Residential Group** could void the user's authority to operate the equipment.

**FCC:**

Contain FCC ID: 2ABFG- YRIZW2USTS1  
Model: YRD156-ZW-619,605,0BP

This equipment has been tested and found to comply with the limits for a Class B digital device, pursuant to Part 15 of the FCC Rules. These limits are designed to provide reasonable protection against harmful interference in a residential installation. This equipment generates, uses, and can radiate radio frequency energy and, if not installed and used in accordance with the instructions, may cause harmful interference to radio communications. However, there is no guarantee that interference will not occur in a particular installation. If this equipment does cause harmful interference to radio or television reception, which can be determined by turning the equipment off and on, the user is encouraged to try to correct the interference by one or more of the following measures:

- Reorient or relocate the receiving antenna.
- Increase the separation between the equipment and receiver.
- Connect the equipment into an outlet on a circuit different from that to which the receiver is connected.
- Consult the dealer or an experienced radio/TV technician for help.

THIS DEVICE COMPLIES WITH PART 15 OF THE FCC RULES. OPERATION IS SUBJECT TO THE FOLLOWING TWO CONDITIONS.

(1) THIS DEVICE MAY NOT CAUSE HARMFUL INTERFERENCE, AND (2) THIS DEVICE MUST ACCEPT ANY INTERFERENCE RECEIVED, INCLUDING INTERFERENCE THAT MAY CAUSE UNDESIRE OPERATION.

**Industry Canada:**

Contain 11626A- YRIZW2USTS1  
Model: YRD156-ZW-619,605,0BP

**Section 7.1.2 of RSS-GEN** Under Industry Canada regulations, this radio transmitter may only operate using an antenna of a type and maximum (or lesser) gain approved for the transmitter by Industry Canada. To reduce potential radio interference to other users, the antenna type and its gain should be so chosen that the equivalent isotropically radiated power (e.i.r.p.) is not more than that necessary for successful communication.

En vertu des règlements d'Industrie Canada, cet émetteur radio ne peut fonctionner avec une antenne d'un type et un maximum (ou moins) approuvés pour gagner de l'émetteur par Industrie Canada. Pour réduire le risque d'interférence aux autres utilisateurs, le type d'antenne et son gain doivent être choisies de façon que la puissance isotrope rayonnée équivalente (PIRE) ne dépasse pas ce qui est nécessaire pour une communication réussie.

**Section 7.1.3 of RSS-GEN** This Device complies with Industry Canada License-exempt RSS standard(s). Operation is subject to the following two conditions: 1) this device may not cause interference, and 2) this device must accept any interference, including interference that may cause undesired operation of the device.

Cet appareil est conforme avec Industrie Canada RSS standard exemptes de licence(s). Son fonctionnement est soumis aux deux conditions suivantes: 1) ce dispositif ne peut causer des interférences, et 2) cet appareil doit accepter toute interférence, y compris les interférences qui peuvent causer un mauvais fonctionnement du dispositif.

This radio transmitter 6982A-YRHCPZW0FM has been approved by Industry Canada to operate with the antenna types listed below with the maximum permissible gain indicated. Antenna types not included in this list, having a gain greater than the maximum gain indicated for that type, are strictly prohibited for use with this device.

Le présent émetteur radio 6982A-YRHCPZW0FM a été approuvé par Industrie Canada pour fonctionner avec les types d'antenne énumérés ci-dessous et ayant un gain admissible maximal. Les types d'antenne non inclus dans cette liste, et dont le gain est supérieur au gain maximal indiqué, sont strictement interdits pour l'exploitation de l'émetteur.

CAN ICES-3B/NMB-3B

## NOTE TO INSTALLER AND CONSUMER

While Yale® has included several features to prevent lockout (9-Volt battery jumper, low battery warnings), it is still possible for a lockout situation to occur. Because this product does not have a mechanical override (a key), Yale® recommends to use this product in an environment where there are additional entry points into the dwelling.

## Yale Home

Product Support Tel 1-855-213-5841 • [www.yalehome.com](http://www.yalehome.com)

Yale® is a registered trademark of ASSA ABLOY Residential Group. Yale Pro™ is a trademark of ASSA ABLOY Residential Group. Other products' brand names may be trademarks or registered trademarks of their respective owners and are mentioned for reference purposes only. © Copyright 2020. All rights reserved. Reproduction in whole or in part without the express written permission of ASSA ABLOY Residential Group is prohibited.