

WISENET

INDOOR FLUSH MOUNT

User Manual

SHD-315F

INDOOR FLUSH MOUNT

User Manual

Copyright

©2020 Hanwha Techwin America, All rights reserved.

Trademark

Each of trademarks herein is registered. The name of this product and other trademarks mentioned in this manual are the registered trademark of their respective company.

Restriction

Copyright of this document is reserved. Under no circumstances, this document shall be reproduced, distributed or changed, partially or wholly, without formal authorization.

Disclaimer

Hanwha Techwin America makes the best to verify the integrity and correctness of the contents in this document, but no formal guarantee shall be provided. Use of this document and the subsequent results shall be entirely on the user's own responsibility. Hanwha Techwin America reserves the right to change the contents of this document without prior notice.

❖ **Design and specifications are subject to change without prior notice.**

Introduction

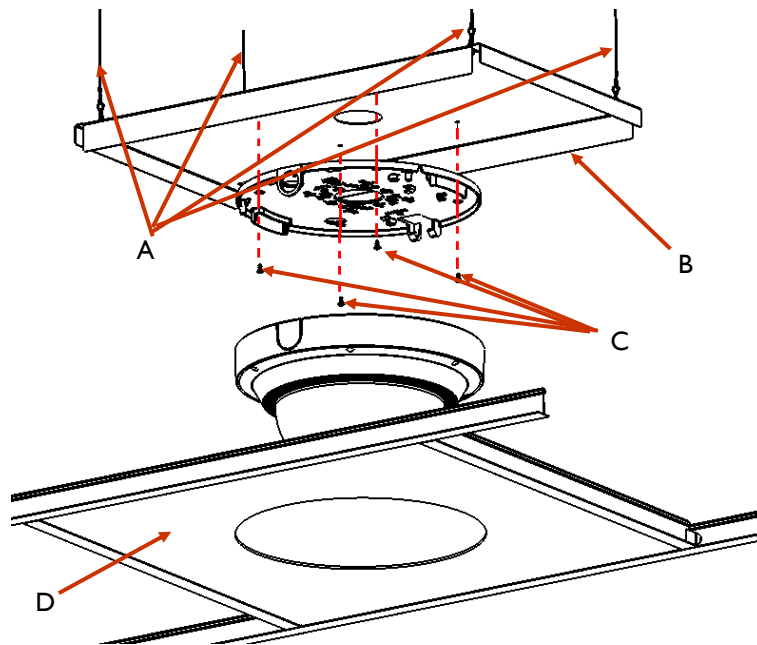
PRODUCT OVERVIEW

- The SHD-315F Kit provides an economical integrated solution for indoor suspended ceiling applications for the PNM-9084RQZ & PNM-9085RQZ cameras.

Contents

COMPONENT LIST [FIGURE 1]

- A. Safety Tether (4)
- B. Ceiling Tile Support Plate
- C. 8-32 x 5/16" Pan Head Screws (4)
- D. Ceiling Tile Insert



INSTALLATION

- Remove existing ceiling tile from desired mounting location.
- Attach Ceiling Tile Support Plate (B) to ceiling tile grid. The tabs will slip down over the grid edge as seen in [FIGURE 2].
- Attach the 4 safety tethers (A) to the red iron, as seen in [FIGURE 3] by threading the end of the tether through the looped end. Make multiple wraps around the red iron to make sure there is no slack in the tethers.

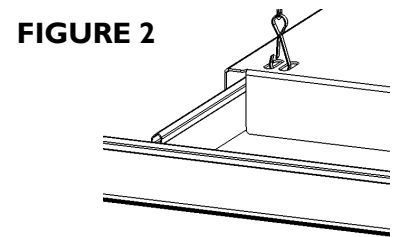
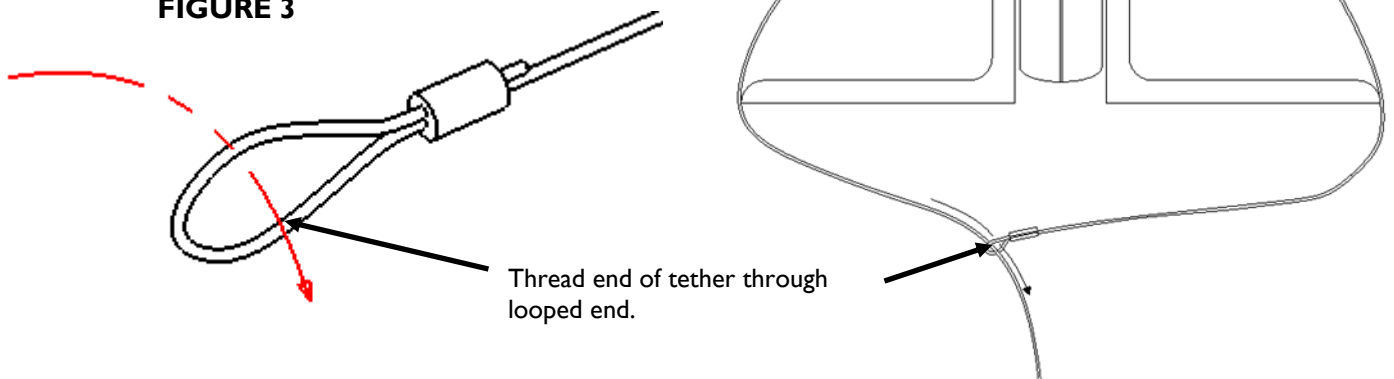
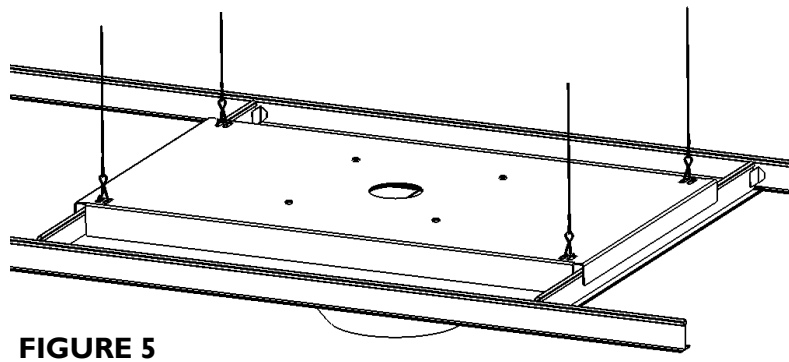
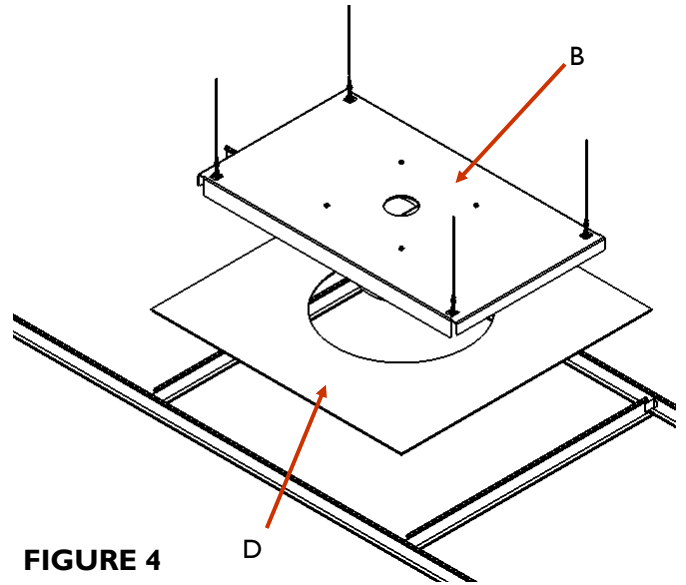
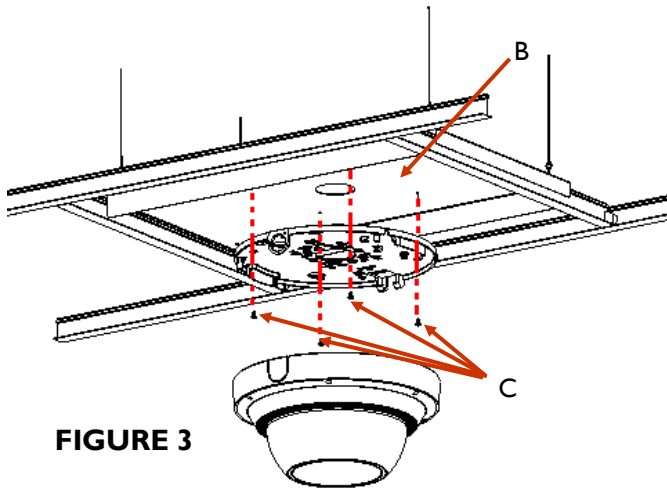


FIGURE 3



INSTALLATION

- Mount the camera onto the Ceiling Tile Support Plate (B) using the included #8-32 x 5/16" screws (C). (See Camera Installation Instructions). **[FIGURE 3]**
- Make camera power and network connections.
- Lift camera/bracket assembly back off of the grid and drop in the ceiling tile insert (D) in **[FIGURE 4]**, then replace assembly back on to the grid as shown in **[FIGURE 5]**.



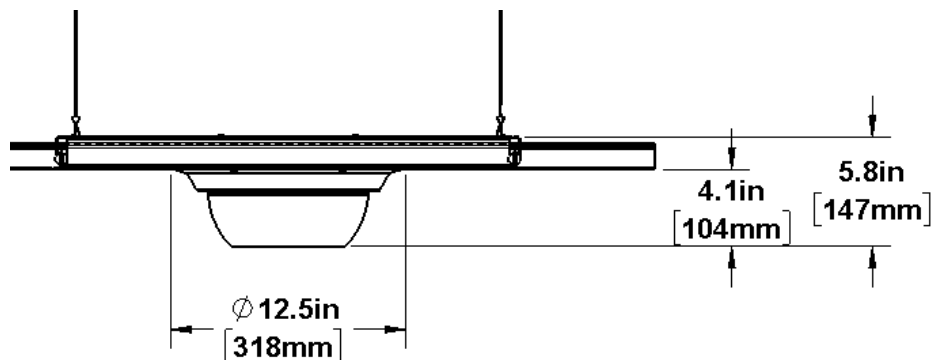
MECHANICAL PROPERTIES

MECHANICAL PROPERTIES

- Support unit: Steel
- Lower unit: ABS
- Unit weight: 7.3 lbs w/o camera

ENVIRONMENT

- Indoor



Hanwha Techwin America

500 Frank W. Burr Blvd. Suite 43 Teaneck, NJ 07666

Toll Free +1.877.213.1222 Direct +1.201.325.6920

Fax +1.201.373.0124

www.hanwhasecurity.com
