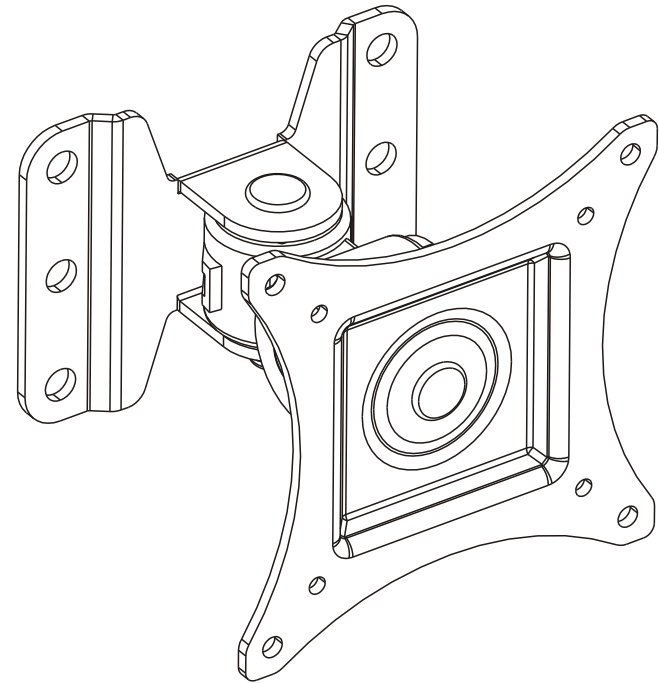




LCD Wall Mount



CAUTION: DO NOT EXCEED RATED LISTED WEIGHT. SERIOUS INJURY OR PROPERTY DAMAGE MAY OCCUR!

LCD-302



75x75/100x100

27"
MAX

15kg
(33lbs)
RATED

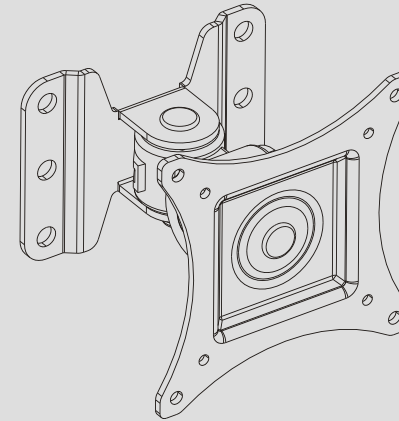
NOTE: Read the entire instruction manual before you start installation and assembly.

WARNING

- Do not begin the installation until you have read and understood all the instructions and warnings contained in this installation sheet. If you have any questions regarding any of the instructions or warnings, please contact your local distributor.
- This mounting bracket was designed to be installed and utilised **ONLY** as specified in this manual. Improper installation of this product may cause damage or serious injury.
- This product should only be installed by someone with good mechanical ability who has basic building experience and fully understands this manual.
- Make sure that the supporting surface will safely support the combined weight of the equipment and all attached hardware and components.
- If mounting to wood wall studs, make sure that mounting screws are anchored into the center of the studs. The use of a stud finder is highly recommended.
- Always use an assistant or mechanical lifting equipment to safely lift and position the equipment.
- Tighten screws firmly, but do not over tighten. Over tightening can cause damage to the items, This greatly reduces their holding power.
- This product is intended for indoor use only. Using this product outdoors could lead to product failure and personal injury.

Component Checklist

IMPORTANT: Ensure that you have received all parts according to the component checklist prior to installation. If any parts are missing or faulty, telephone your local distributor for a replacement.



wall mount (x1)
A



wrench (x1)
B

Package M



M4x14 (x4)
M-A

Package W

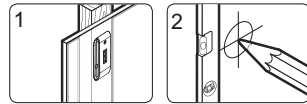
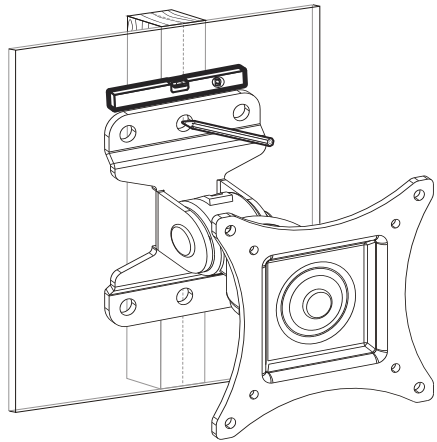
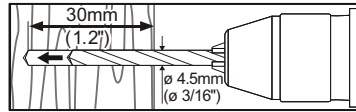
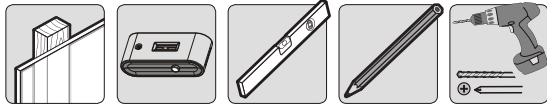


M6x30 (x2)
W-A

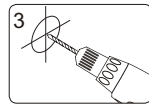


iron expansion bolt (x2)
W-B

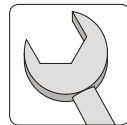
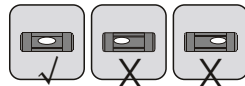
1a. For Wood Stud Wall Mounting



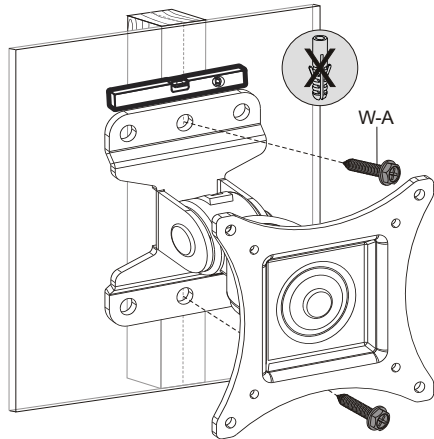
1 Find and mark the exact location of mounting holes



3 Drill pilot holes



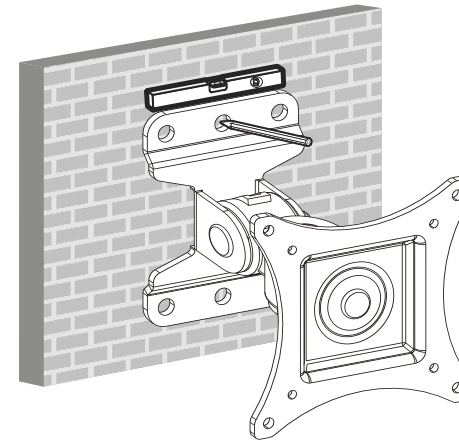
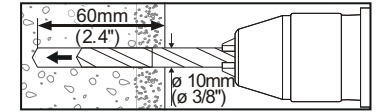
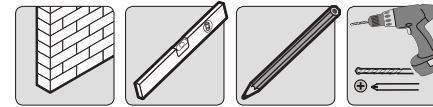
Screw the wall mount onto the wall



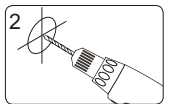
⚠ WARNING

- Make sure that mounting screws are anchored into the center of the studs. The use of a stud finder is highly recommended.
- Installers are responsible to provide hardware for other types of mounting situations.
- Installers must verify that the supporting surface will safely support the combined weight of the equipment and all attached hardware and components.

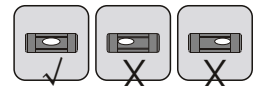
1b. For Solid Brick and Concrete Mounting



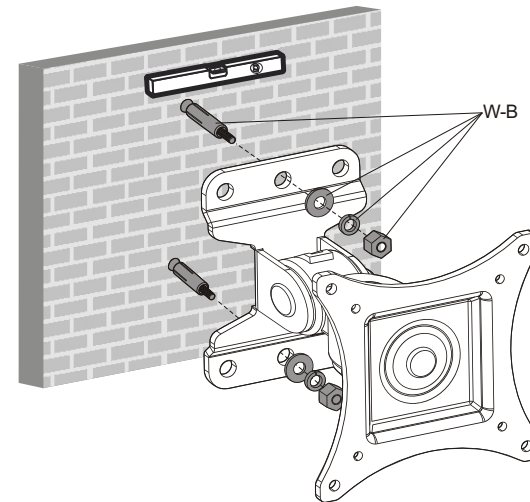
1 Mark the exact location of mounting holes



2 Drill pilot holes



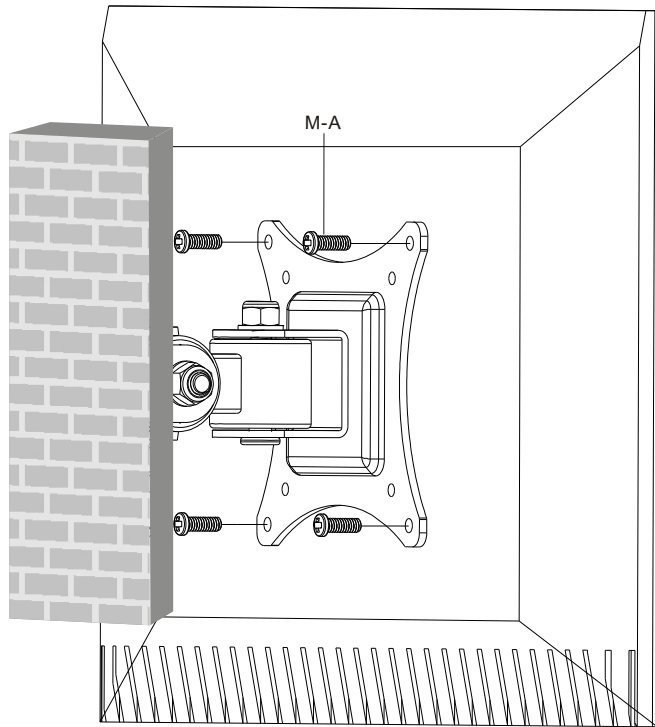
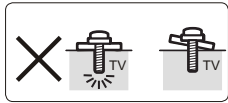
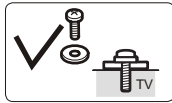
Screw the wall mount onto the wall



⚠ WARNING

Installers must verify that the supporting surface will safely support the combined weight of the equipment and all attached hardware and components.

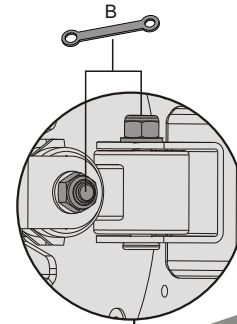
2. Attaching the Display to the VESA Plate



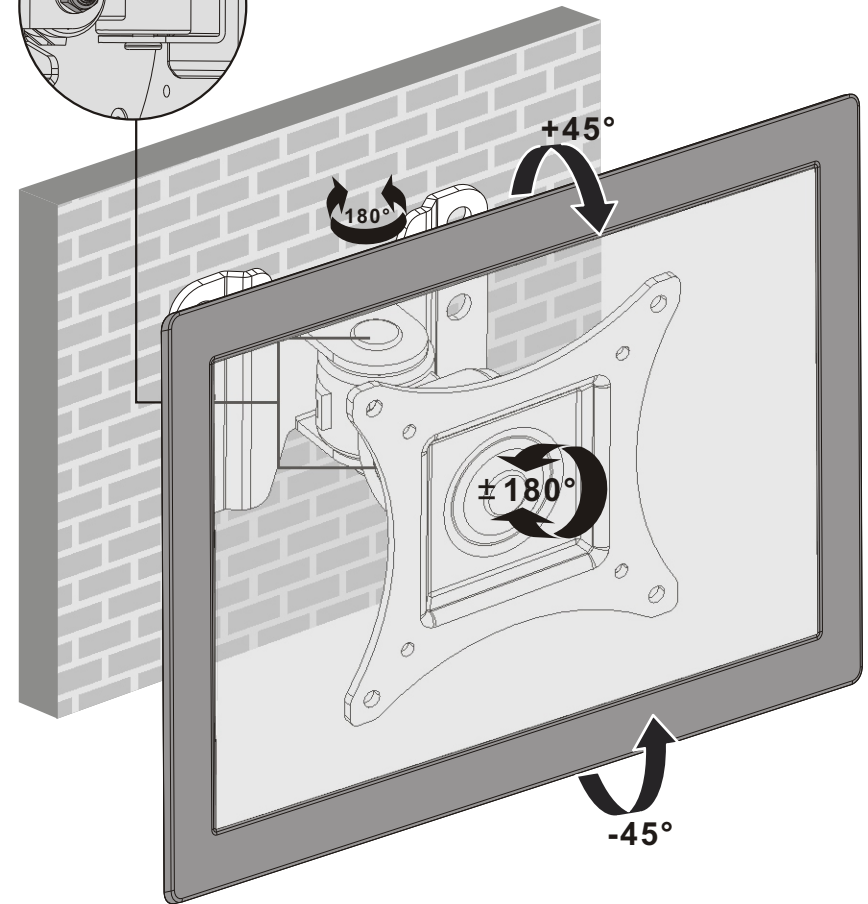
Lift the display and match the holes on your display with the holes on the mount. Secure your display to the mount by tightening screws.

 **Tighten all screws but do not over tighten.**

3. Adjustment



Tension is pre-set at the factory. If too tight or too loose, you may adjust the tension by loosening or tightening the head and arm adjustment bolts.



Adjust to the desired position or tilt.

Maintenance

- Check that the bracket is secure and safe to use at regular intervals (at least every three months).
- Please contact your dealer if you have any questions.