

Quality Features

- 10K ohm linear taper potentiometer.
- Provides level adjustment of voltage controlled amplifiers from a single remote location.
- Continuous, rotary control with stops at 0 and Max plus incremental detents for precision feel.
- Clean styling matches Lowell's LVC Series 25W, 50W and 100W - 70V attenuators.

Description

Potentiometer Series 10KLVC is a 10k ohm linear taper control for single-point remote level adjustment of voltage controlled amplifiers (VCA) by others. Decora-style assemblies match other Lowell LVC Series devices and are offered in white, ivory, black or stainless steel with white or black subplate. A rackmount version is also available with an adhesive dial scale. All feature phoenix-style removable screw termination strips for pre-wire with capacity for 14ga wire.

Lowell Series 10KLVC is designed to interface directly with 3-wire, 0 to 10 volt control inputs that are typical on most voltage controlled amplifiers (by others). The 10k ohm potentiometer allows the amplifier's control voltage to be set/adjusted from a single remote location.

Decora-style models include the control assembly on a subplate with comfortable knob and wallplate. The subplate is printed with the words: Volume, 0, and MAX. Assemblies are offered in white, black or stainless steel with white or black subplate. Additionally, the 10KLVC Series share the same plate styling as Lowell's LVC Series 25W, 50W and 100W - 70V attenuator controls for consistent appearance of control devices.

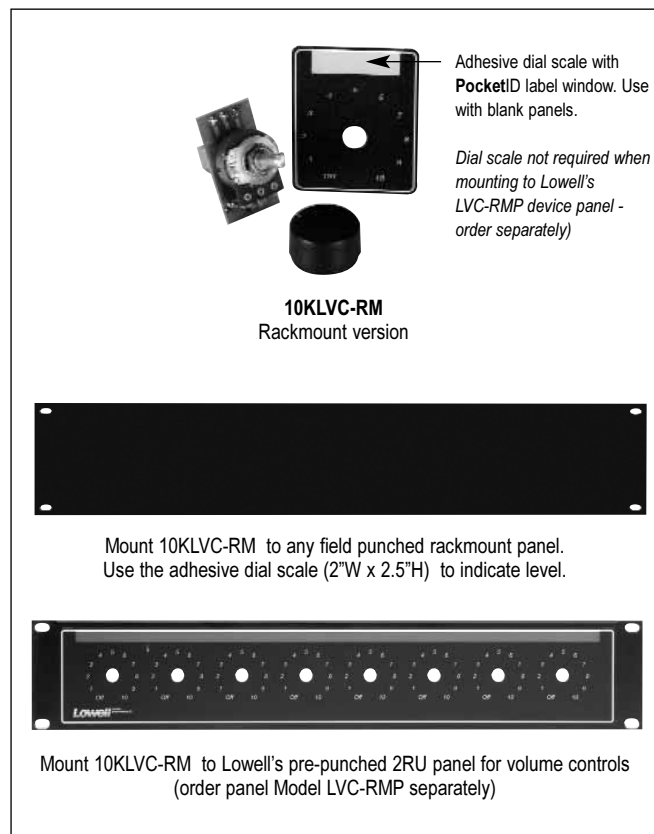
Rackmount model includes the control assembly, black knob and an adhesive dial scale with Lowell's **PocketID™** window for inserting a 1/2"H label. The rackmount device is designed for mounting to a field punched rack panel (2RU or larger) or installed into Lowell's pre-punched 2RU panel for volume controls (Model LVC-RMP order separately). Note: When the rackmount control is mounted in Lowell's LVC-RMP panel the adhesive dial scale (shipped with the device) is not used.



10KLVC-DW
Decora
Plastic

10KLVC-DB
Decora
Plastic

10KLVC-DSB
Decora
Stainless / Plastic



Adhesive dial scale with **PocketID** label window. Use with blank panels.

Dial scale not required when mounting to Lowell's LVC-RMP device panel - order separately)

10KLVC-RM
Rackmount version

Mount 10KLVC-RM to any field punched rackmount panel. Use the adhesive dial scale (2"W x 2.5"H) to indicate level.



Mount 10KLVC-RM to Lowell's pre-punched 2RU panel for volume controls (order panel Model LVC-RMP separately)

Model	Type	Taper	Attenuation	Resistance	Plate Style** coverplate/subplate	Plate Width	Plate Height	Control Width	Control Height	Control Depth
10KLVC-DW	Potentiometer	Linear	Continuous*	10,000 ohm	White/White	2.75"	4.5"	1.0"	1.75"	1.25"
10KLVC-DI	Potentiometer	Linear	Continuous*	10,000 ohm	Ivory/Ivory	2.75"	4.5"	1.0"	1.75"	1.25"
10KLVC-DB	Potentiometer	Linear	Continuous*	10,000 ohm	Black/Black	2.75"	4.5"	1.0"	1.75"	1.25"
10KLVC-DSW	Potentiometer	Linear	Continuous*	10,000 ohm	Stainless/White	2.75"	4.5"	1.0"	1.75"	1.25"
10KLVC-DSB	Potentiometer	Linear	Continuous*	10,000 ohm	Stainless/Black	2.75"	4.5"	1.0"	1.75"	1.25"
10KLVC-RM	Potentiometer	Linear	Continuous*	10,000 ohm	Rackmount Adhesive	2"	2.5"	1.0"	1.75"	1.25"

*Continuous with stop at minimum and maximum levels. **All plates are 1-gang Decora-style except rackmount model 10KLVC-RM



10KLVC Series

10k Ohm Potentiometer Control

A
U
D
I
O

12"/10"
Speakers &
Accessories

8"
Speakers &
Accessories

6"
Speakers &
Accessories

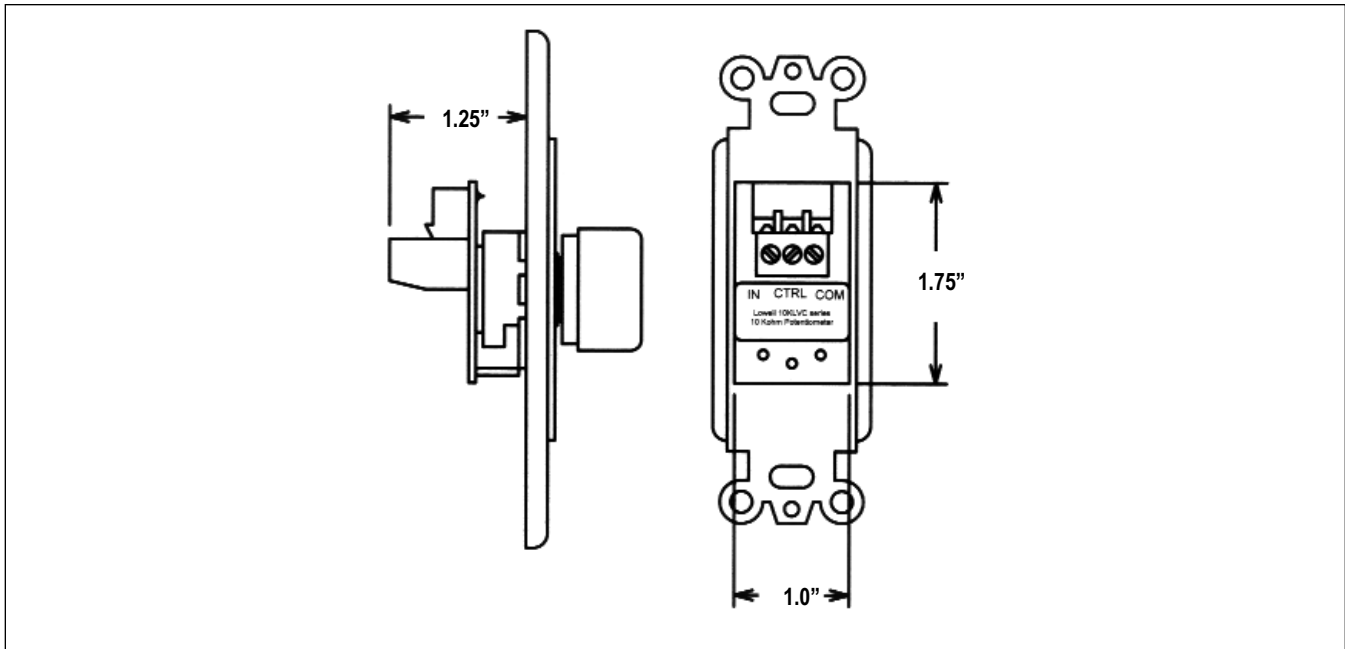
4"
Speakers &
Accessories

Horn
Speakers &
Accessories

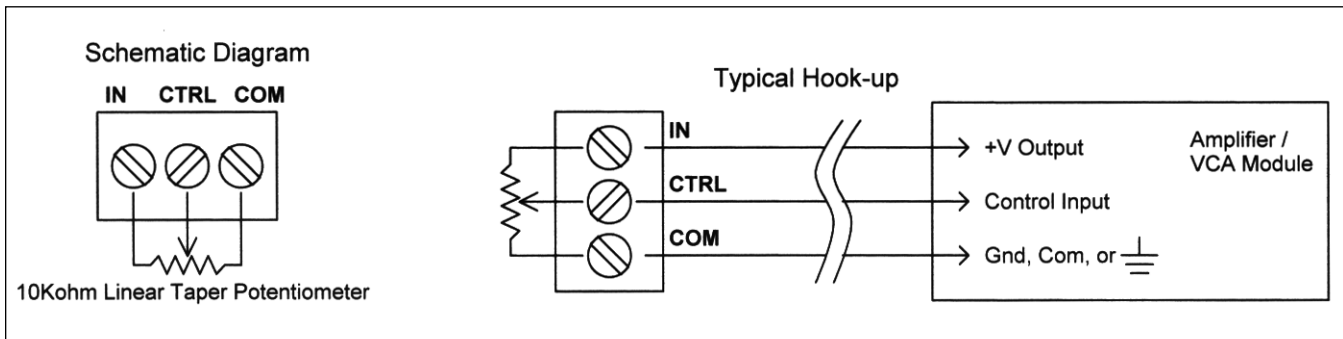
Masking
Speakers &
Generators


Control
Accessories
& Electronics

Volume Controls



10KLVC Series Dimensions



10KLVC Series Schematic and Connection Diagrams

A & E Specifications

Potentiometer control shall be Lowell Series 10KLVC Model _____. It shall be a linear taper style potentiometer with 10,000 (10k) ohm resistance. It shall be compatible with 3-wire 0-10 volt control inputs on voltage control amplifiers (by others) for level adjustment from a single remote location. Attenuation shall be continuously variable with stops at minimum and maximum levels. It shall include the control mounted to a decora-style subplate with printing (Volume, 0, MAX) a knob and coverplate.

Rackmount style shall include the device (without subplate and wallplate) with a separate knob and an adhesive dial scale size 2"W x 2.5"H with PocketID label window for mounting on a field punched (2RU or larger) rack panel or installed into Lowell's pre-punched 2RU panel for volume controls (Model LVC-RMP order separately).