


# 1600

## Non Handed Door Closer

Regular Arm  
Top Jamb Mount  
Parallel Arm

# Non Hold Open Arm Models

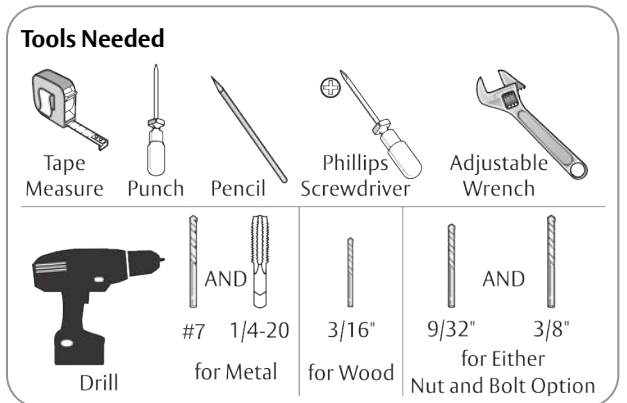
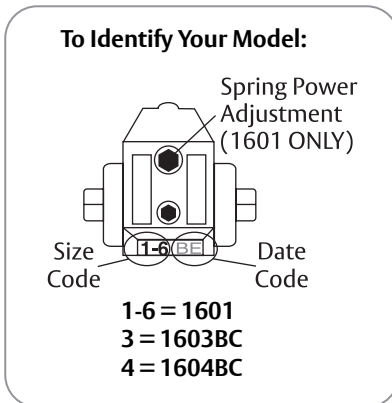
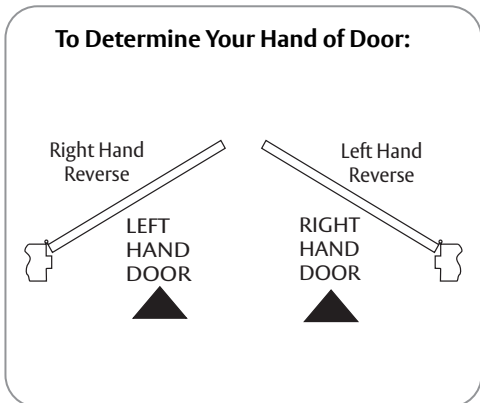
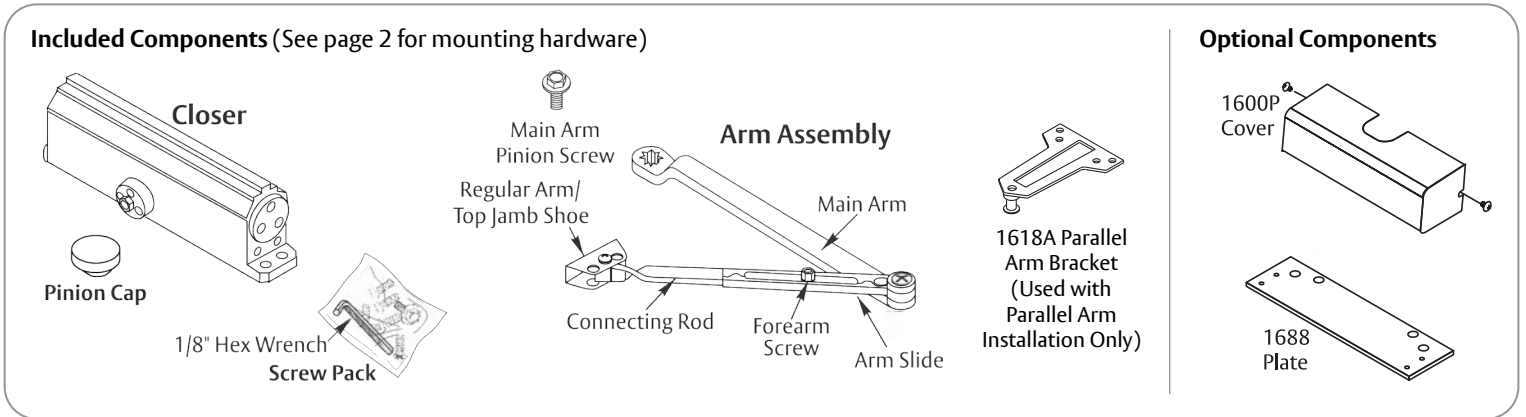
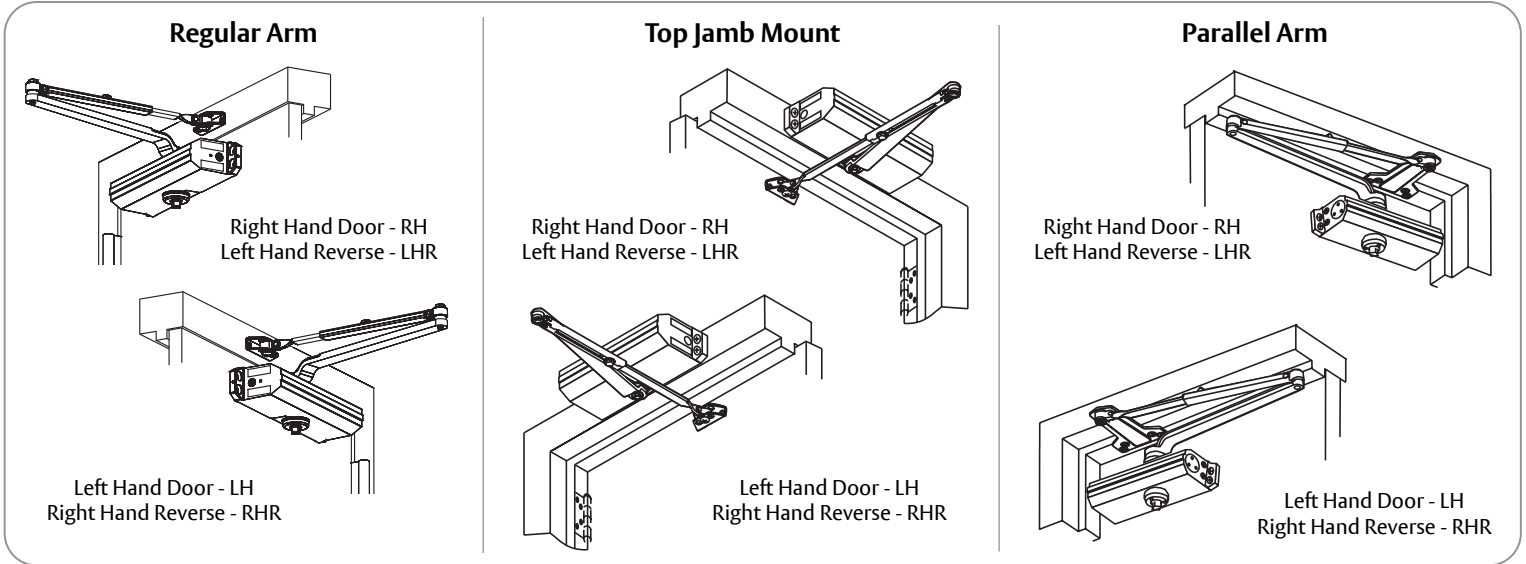
Sized (Sizes 3,4)	Adjustable (Sizes 1-6)
1603BC	1601
1604BC	



### ⚠ WARNING

This product can expose you to lead which is known to the state of California to cause cancer and birth defects or other reproductive harm. For more information go to [www.P65warnings.ca.gov](http://www.P65warnings.ca.gov).






Ce produit peut vous exposer au plomb qui, dans l'état de la Californie, est reconnu pour causer le cancer, des anomalies congénitales ou d'autres problèmes de reproduction. Pour plus d'informations, visitez: [www.P65warnings.ca.gov](http://www.P65warnings.ca.gov).



### ATTENTION:

An incorrectly installed or improperly adjusted door closer can cause property damage or personal injury. These installation instructions should be followed to avoid the possibility of misapplication or misadjustment.

- For special applications, a separate door and frame preparation template is packed with these instructions. Use this instruction sheet for installation sequence and closer adjustments only.
- Doors should be hung on ball bearing or anti-friction hinges.
- A separate door stop is recommended.
- Always consult door/frame manufacturer for fastener compatibility.
- Door and frame must be properly reinforced.
- Adjust closing time speed between 3 and 7 seconds from 90° to 0°.
- These door closers should NOT be installed on exposed side (weather side) of exterior doors.
- Dimensions are given in inches (millimeters).

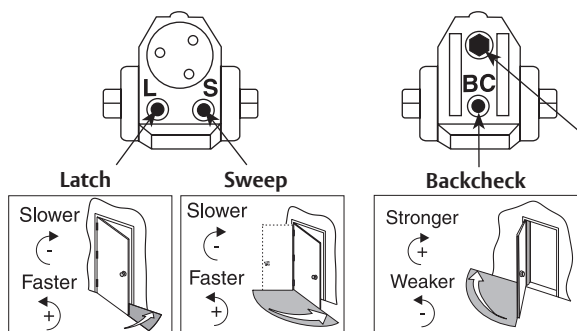
Mounting Hardware		Door or Frame	Drill
	<b>Closer, Arm Shoe or Optional PA Bracket:</b> 1/4-14 x 1-1/2 Oval Flat Head Mach. Screw	Wood	3/16" (4.76mm)
	<b>Closer, Arm Shoe or Optional PA Bracket:</b> 1/4-20 x 3/4 Oval Flat Head Mach. Screw	Metal	Drill #7 (.201 dia. or 5.10mm) Tap 1/4-20
	<b>Arm Shoe to Optional PA Bracket:</b> 1/4-20 x 1/2 Oval Flat Head Mach. Screw		
	<b>Closer:</b> Sleeve Nut and Bolt (SNB) (optional)	Hollow Metal	9/32" (7.00mm) thru 3/8" (9.50mm) door face opposite to closer
		Aluminum or Wood	3/8" (9.50mm) thru
	<b>Closer:</b> Thru Bolt and Grommet Nut (TBGN) (optional)	All	9/32" (7.00mm) thru 3/8" (9.50mm) dia. x 3/8" (9.500mm) deep, door face opposite to closer

## Closer Adjustments



Use provided hex wrench to turn valves. NEVER force valves out of closer. NEVER completely close backcheck valve.

Door must be open to adjust spring closing power. Refer to chart. Do not use a power drill. Warranty will be void.



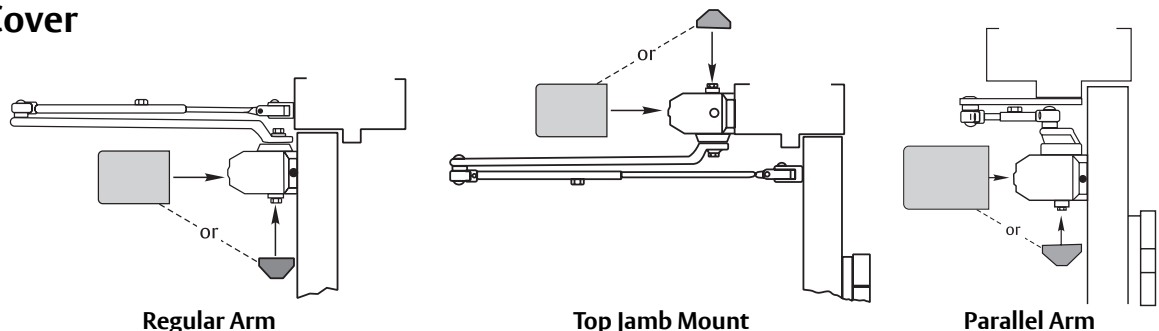
Spring Closing Power				Number of Turns Required				
DOOR	TYPE OF INST.	*	MAXIMUM DOOR SIZE					
			34" (0.85M)	36" (0.90M)	40" (1.00M)	44" (1.10M)	48" (1.20M)	
1601	INTERIOR	FULL 360° TURNS	Regular Arm Top Jamb	2	4	6	10	12
			Parallel Arm	3	5	8	11	14
	EXTERIOR		Regular Arm Top Jamb	3	5	8	11	14
			Parallel Arm	5	8	11	16	19

\*30 FULL (360°) TURNS MAXIMUM AVAILABLE    = 8 TURNS AS SHIPPED

## Pinion Cap or Cover

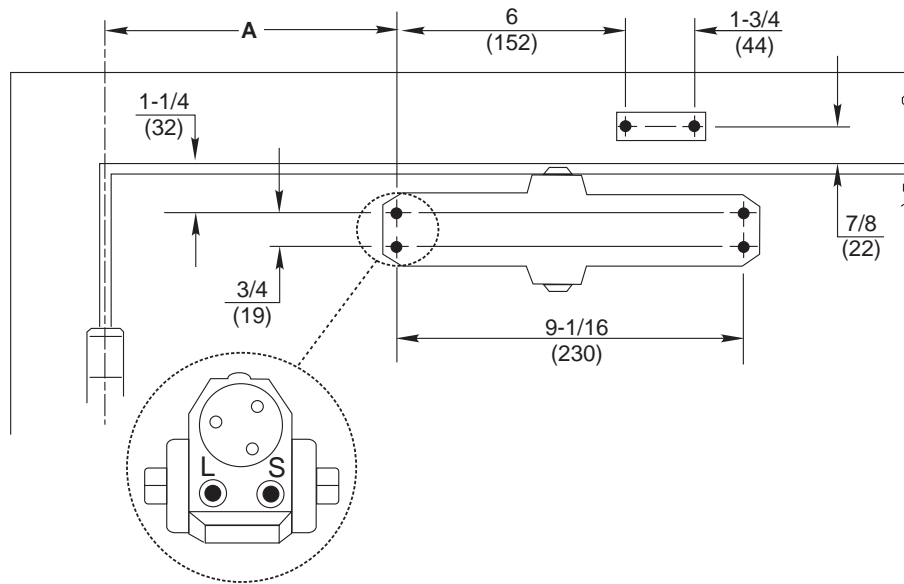


Do not over tighten cap or cover screws.



# 1600 Regular Arm Installation (Right Hand Shown)

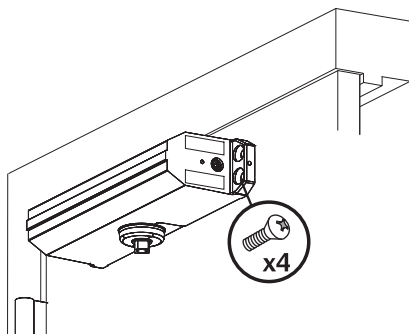
## 1. Prepare door and frame.



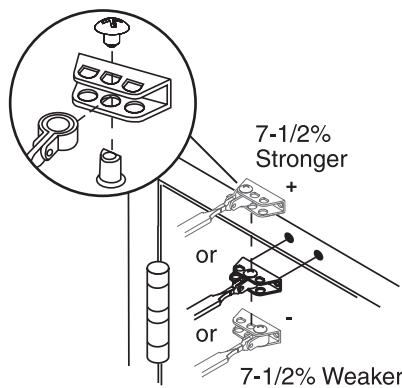
Opening	Dimension "A"
To 100°	$\frac{7}{(178)}$
101° to 120°	$\frac{6}{(152)}$
* 121° to 180°	$\frac{3-1/2}{(89)}$

\* Door/Wall/Hardware/Jamb conditions permitting

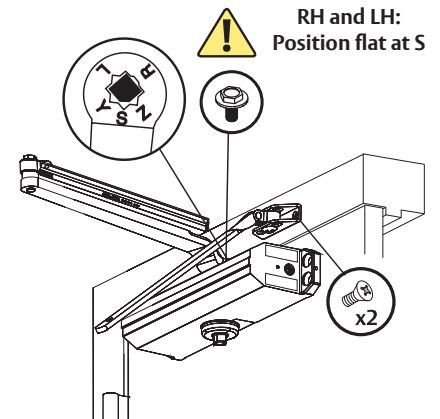
## 2. Mount closer to door.



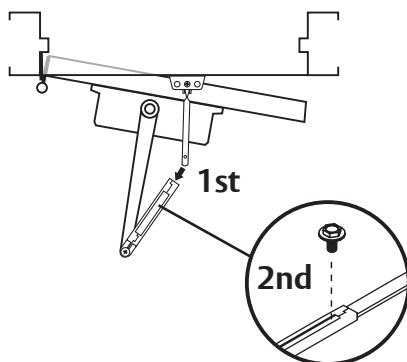
## 3a. Choose arm placement in shoe.



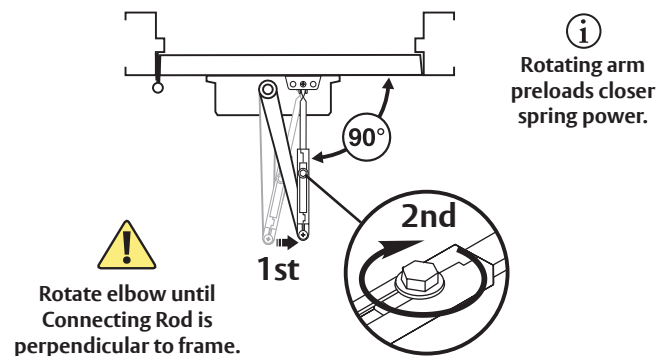
## 3b. Install separate arms.



## 4. Connect arms and install forearm screw.



## 5. Preload spring and tighten forearm screw.

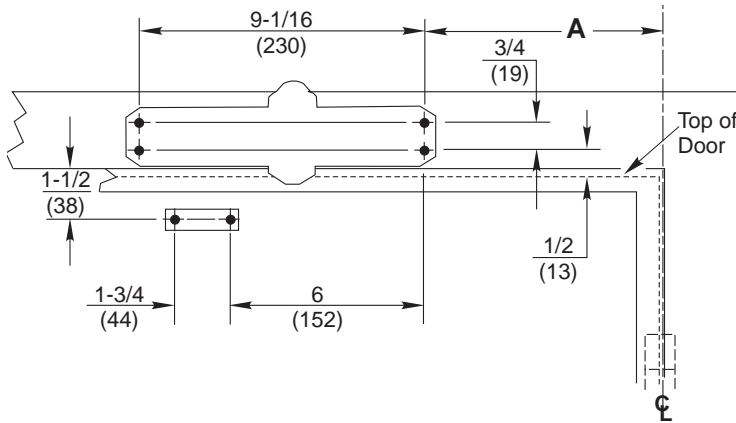


You've installed the 1600 Non Hold Open Closer - Regular Arm.

● Go to page 2 for closer adjustments and decorative cap or cover installation.

# 1600 Top Jamb Mount Installation (Right Hand Shown)

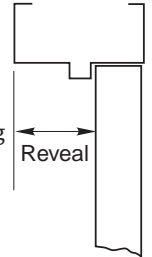
## 1. Prepare door and frame.



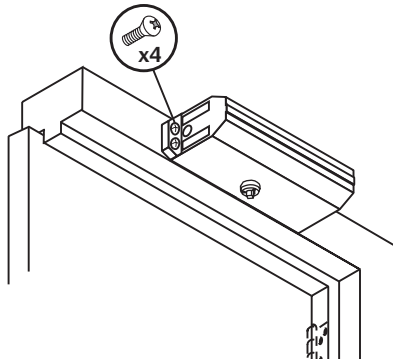
Opening	Dimension "A"
To 100°	7-1/2 (191)
101° to 120°	6 (152)
*121° to 180°	3-1/2 (89)

\* Door/Wall/Hardware/Jamb conditions permitting

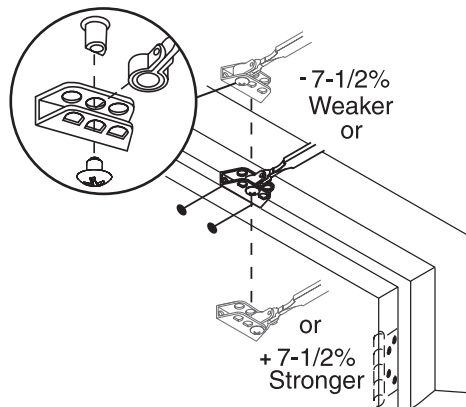
A longer connecting rod is required for reveals greater than 3" (76)



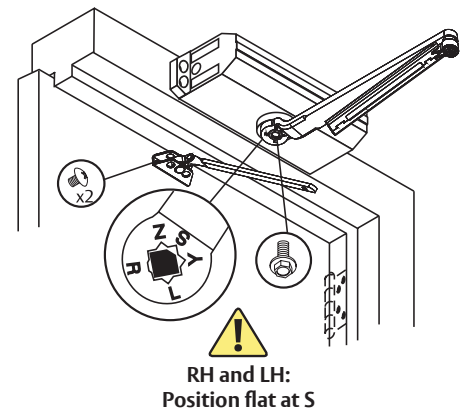
## 2. Mount closer to frame.



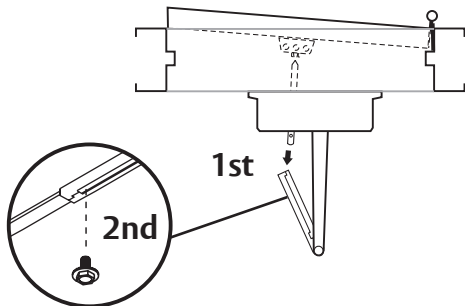
## 3a. Choose arm placement in shoe.



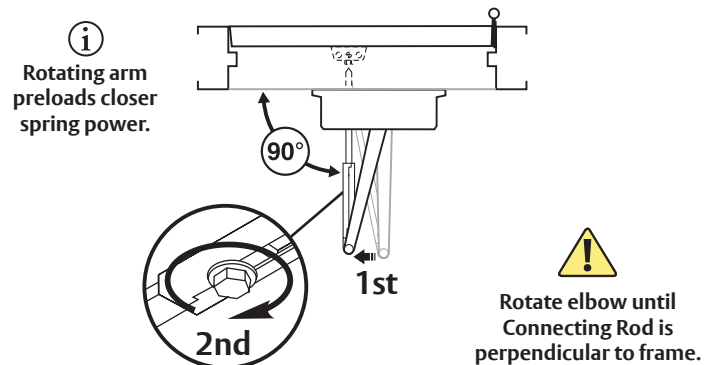
## 3b. Install separate arms.



## 4. Connect arms and install forearm screw.



## 5. Preload spring and tighten forearm screw.

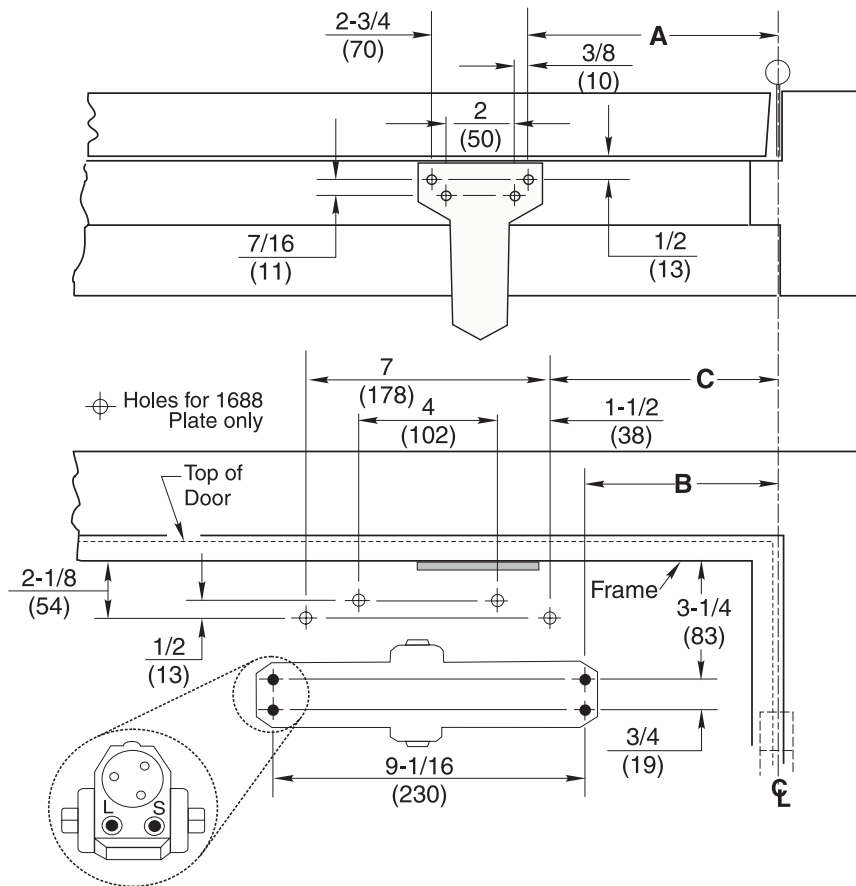


You've now installed the **1600 Non Hold Open Closer - Top Jamb Mount**.

● Go to page 2 for closer adjustments and decorative cap or cover installation.

# 1600 Parallel Arm Installation (Right Hand Shown)

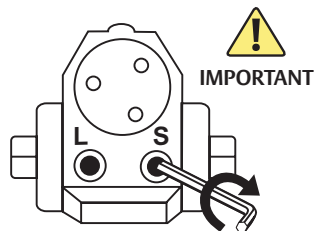
## 1. Prepare door and frame.



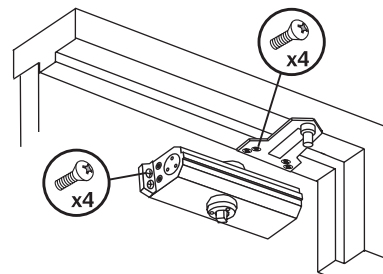
Door Opening	A	B	C
To 100°	9-1/4 (235)	7-5/8 (194)	8-5/8 (219)
101° to 130°	7-3/4 (197)	6-1/8 (156)	7-1/8 (181)
* 131° to 180°	5-3/4 (146)	4-1/8 (105)	5-1/8 (130)

\* Door/Wall/Hardware/Jamb conditions permitting

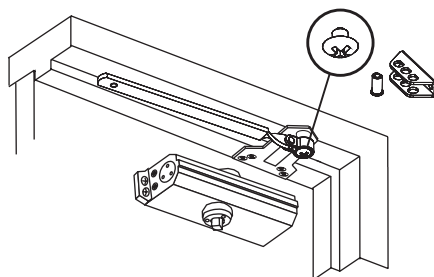
## 2. Close latch and sweep valves.



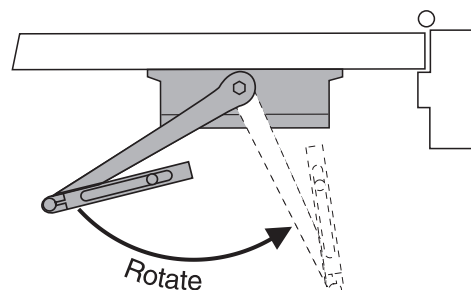
## 3. Install soffit plate and mount closer.



## 4. Remove arm shoe and install forearm to plate.



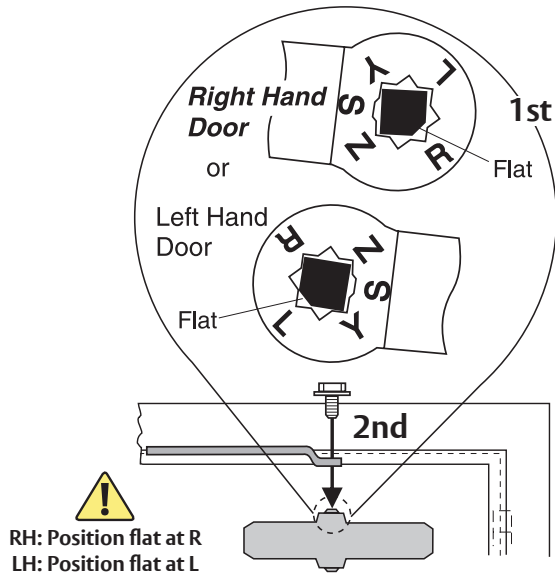
## 5. Place main arm on closer spindle and rotate.



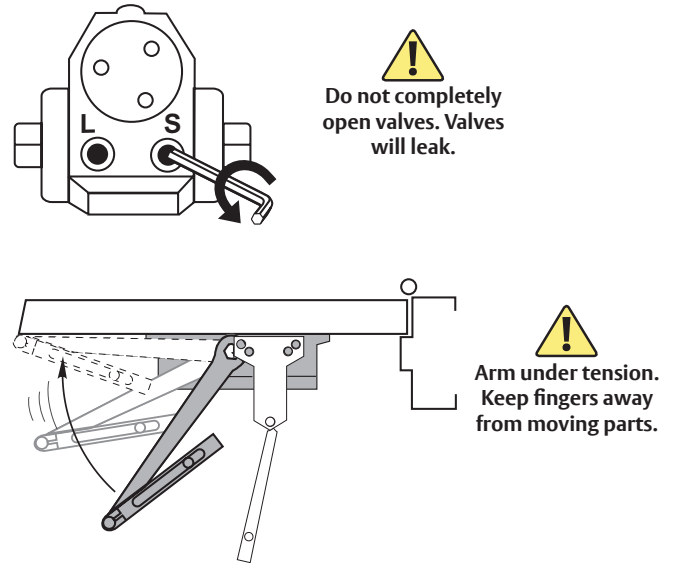
The ASSA ABLOY Group is the global leader in access solutions. Every day we help people feel safe, secure and experience a more open world.

## 1600 Parallel Arm Installation (Right Hand Shown) continued

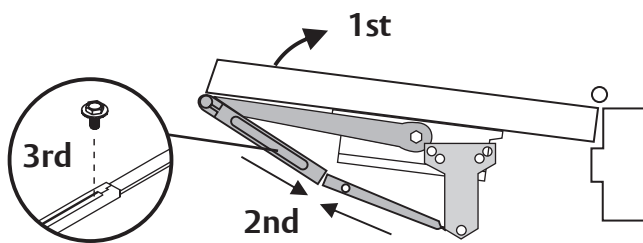
### 6. Remove arm and attach as shown.



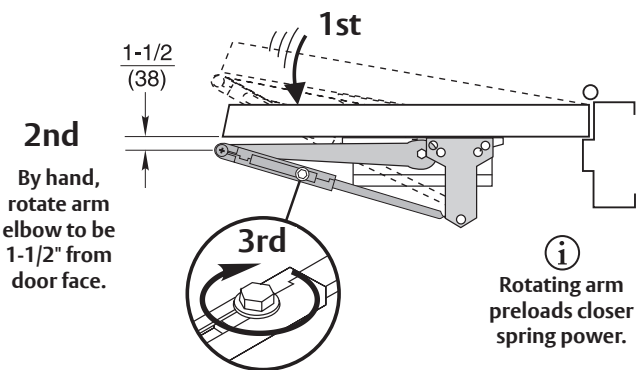
### 7. Open latch and sweep valves.



### 8. Connect arms and install forearm screw.



### 9. Preload spring and tighten forearm screw.



You've now installed the **1600 Non Hold Open Closer - Parallel Arm**.

● Go to page 2 for closer adjustments and decorative cap or cover installation.