

## INTRODUCTION

A reliable ADA solution comprising Norton's heavy-duty 1601 door closer. The use of a hydraulic closer ensures quiet and consistently smooth operation, ideal in applications where doors are typically operated manually but can also be activated via wall switches for automatic operation. The 5700 offers basic automated door functions and is designed for quick set-up, making it easy to specify and install.

## FEATURES

- » Non-handed
- » Push or pull side mounting
- » Comprises heavy-duty Norton 1601 door closer
- » Door widths: 28"-48"
- » Optional kit includes push buttons and plug-in power cord
- » Operates as mechanical surface close during close cycles, when door is opened manually or if power is off
- » Spring force provides the feel of a manual door closer
- » Door can be opened manually if desired
- » Adjustable spring power
- » Backcheck valve
- » Sweep valve & latch valve
- » Unit activation options:
  - › Wall switches
  - › Radio frequency device
- » End-user on/off switch
- » Adjustable door sensitivity
- » Onboard power supply for accessories: 24VDC (1.1A)



## BENEFITS

- » Basic features simplify product choice
- » Designed for quick installation, setup and adjustments
- » Hydraulic closer offers quiet and smooth operation

## PATENTS

- » United States: 5,881,497, 7,316,096 and 7,484,333
- » Canada: 2,568,877



## FUNCTIONS

- » Adjustable Hold Open
  - › Amount of time a door will stay in the full open position after an activation
- » Obstruction Detection
  - › Motor stops if door is obstructed during opening; door closes
- » On/Off Switch
  - › Disables operator activation
- » Open Delay
  - › Delays operator opening for locking hardware
- » Overload Safety Shut-Off
  - › After 2 minutes of receiving a door activation signal, inverter times out and door closes
  - › Prevents motor/inverter damage

## ELECTRICAL DATA

- » Power input; 120 VAC, 60Hz
- » Relay output: SPDT
  - › Normally open/normally closed (jumper)
  - › For electric strike function

## CERTIFICATIONS

- » ANSI/BHMA A156.19 certified 
- » Meets ANSI/BHMA A156.4 requirements
- » UL / cUL listed for use on fire rated doors 
- » UL10C listed for positive pressure fire test
- » Manufactured in an ISO 9001 and ISO 14001 certified facility
- » Complies with requirements for the Americans with Disabilities Act (A.D.A)

## SPECIFICATIONS

Door Controls\_\_\_\_\_ (interior) (exterior) swinging door(s) shall be of rack and pinion design contained within a precision cast aluminum housing. Door closing force shall be adjustable to ensure adequate closing control. Door closing speed shall be controlled by independent hydraulic adjustment valves in the sweep and latch range of the closing cycle. Door Operator shall provide conventional door closer opening forces unless the power operator motor is activated. Door Operator shall provide conventional door closing forces at all times except in the event of power outage during powered door open cycle. Door Operator opening force and speed shall be adjustable by independent electronic adjustment to ensure adequate opening control per accessibility codes. Door Operator shall have an adjustable hydraulic backcheck valve to cushion the door speed if door is opened violently. Door Operator shall have a manual adjustment to locate both full open and full closed door positions. Maximum door open shall be adjustable and capable to a maximum 180° conditions permitting. [(Door Operator shall be AUTOMATICALLY ACTIVATED, i.e., motion sensor.) (Door Operator shall be SELECTIVELY ACTIVATED by external initiating device, i.e., wall switch, etc.) (Door Operator shall be both AUTOMATICALLY ACTIVATED and SELECTIVELY ACTIVATED.)] Door operator shall have adjustable hold open time capability in range from 5 to 30 seconds. Door operator shall have input line rating of 120VAC, .6A or 240VAC, .3A. Units shall have relay contact for interfacing products having a contact rating of 30VDC at 1A or 125VAC at .5A. Unit shall have an external On/Off Switch to defeat powered opening when desired. Unit shall have an internal circuit breaker switch to interrupt input power for servicing. Unit shall be U.L. Listed for automatic closing door. Unit shall be in compliance with the requirements of the Americans With Disabilities Act (ADA), ANSI standards A117.1 and A156.19. Unit shall meet C-UL US.

## ADDITIONAL DETAILED SPECIFICATIONS:

When activated, the unit shall, by means of an integral motor and chain drive, power open the door at both a speed and force that are adjustable to meet accessibility codes. The door shall be powered from a door closed position to a full door open position and remain in momentary hold open for \_\_\_seconds (adjustable 0 to 30 seconds) [(Unit shall power open door to full open position up to 180° (5710); 170° (5730), conditions permitting.) (Unit shall be capable of allowing the door to be opened manually from 0 to 180°, conditions permitting.)] Once unit reaches full hold open position, if reinitiated, unit's momentary hold open time shall restart from the initially set hold open time. If unit is initiated during the closing cycle, unit shall revert to opening cycle beginning at that door position. Obstruction detection on open shall neutralize and reverse motor action reverting motor to closed position thus allowing door to close under closer spring force only. This obstruction detection feature shall be integral to unit. During closing cycle, the unit shall close door under spring power not to exceed a closing force of 15 lbf.

#### APPLICATIONS

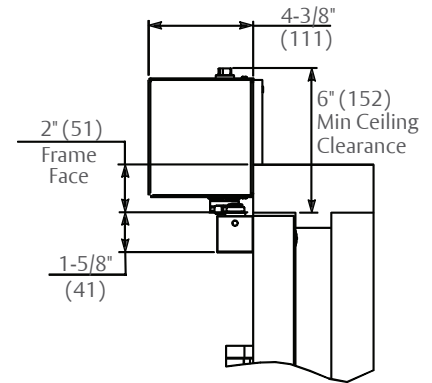
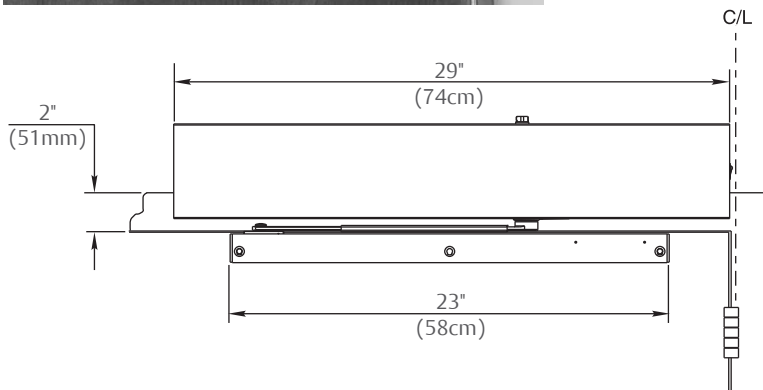
5700 SERIES



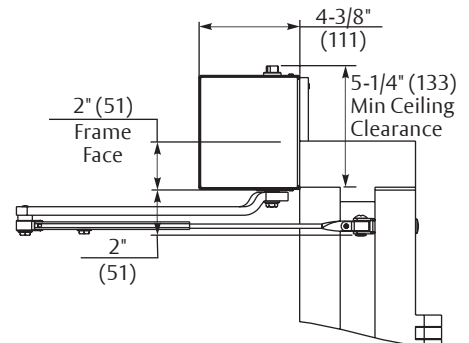
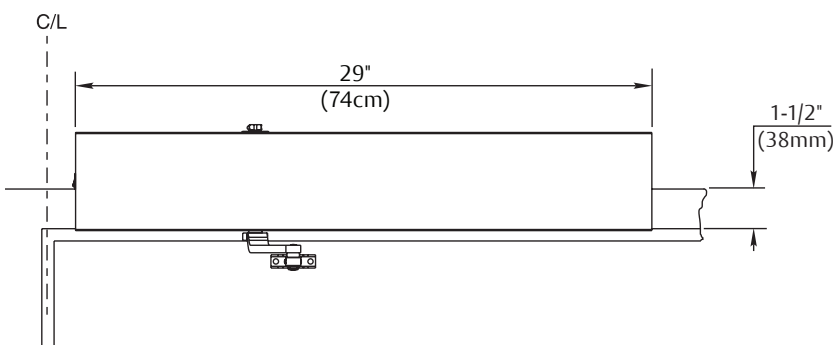
- 5710  
HINGE (PULL) SIDE OF DOOR**
- » Adjustable Stop
  - » 110° swing (trim permitting)

Minimum Door width  
Single Door – 29" (74cm)  
Pair of Doors – 30" (76cm)

An auxiliary stop is suggested where severe conditions exist.



- 5730  
STOP (PUSH) SIDE OF DOOR**
- Standard Duty Double Lever Arm
- » Frame reveals 2-5/8" to 6-3/4" (67-171mm)
  - » An auxiliary door stop is required for these applications.
  - » 170° swing (trim permitting)



**5700 SERIES**  
LOW ENERGY OPERATOR

**5700 KITS**

Universal Kits

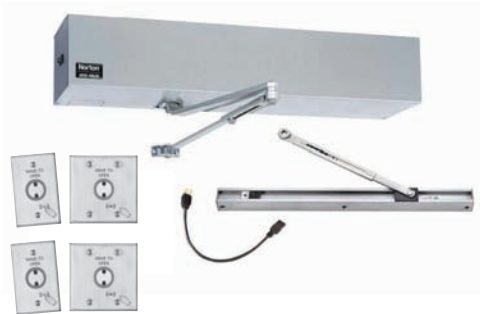


**5740**

Kit Includes:

- » Operator
- » Cover
- » Push and Pull Arms

Hands-Free Kits



**5740K2**

Kit Includes:

- » Operator
- » Cover
- » Push and Pull Arms
- » (2) 700 Wave-to-Open Switches
- » 5700PC Power Cord

ADA Kits

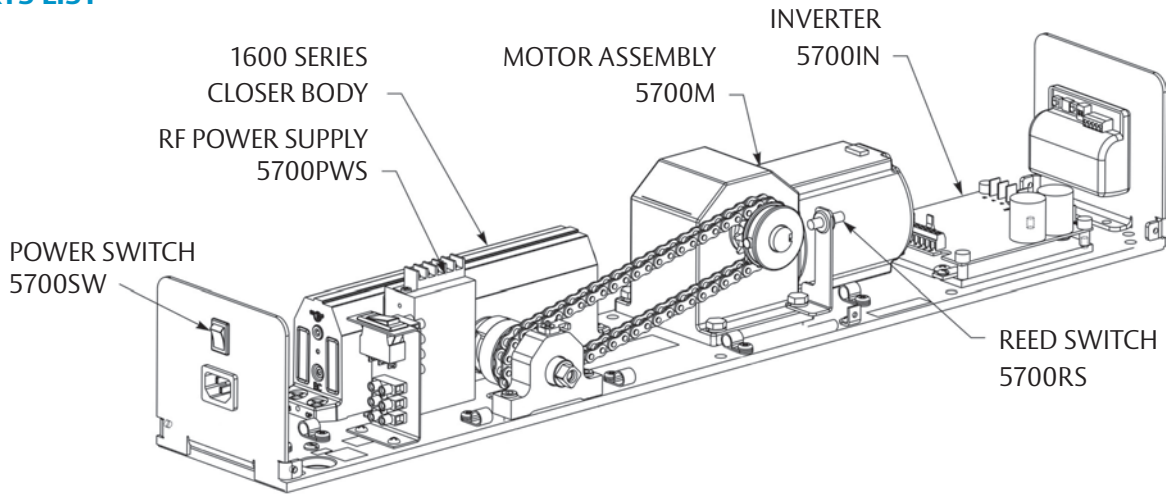


**5740K3**

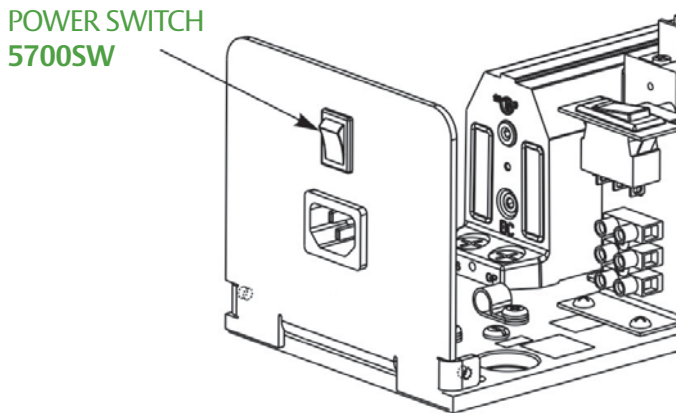
Kit Includes:

- » Operator
- » Cover
- » Push and Pull Arms
- » (2) ADA1019-1 Switches
- » (2) 548 Transmitters
- » 539 Receiver
- » 5700PC Power Cord

#### PARTS LIST



Part #	Description
5700CVR	Cover



POWER CORD  
5700PC



(125V / 10A RATED 18AWG 18 INCHES MAX., NEMA 5-15P AND IEC320-C13 CONNECTORS CORD MUST BE UL LISTED.)

POWER CORD INPUT  
Factory prepped and installed receptacle

NOTE: Consult local authority having jurisdiction to confirm use of power cord is acceptable. Operator must be furnished with the power cord from the factory. Power cords cannot be added to operators in the field. Maximum distance from operator to receptacle is 15".

**ARM AND TRACK ASSEMBLIES**

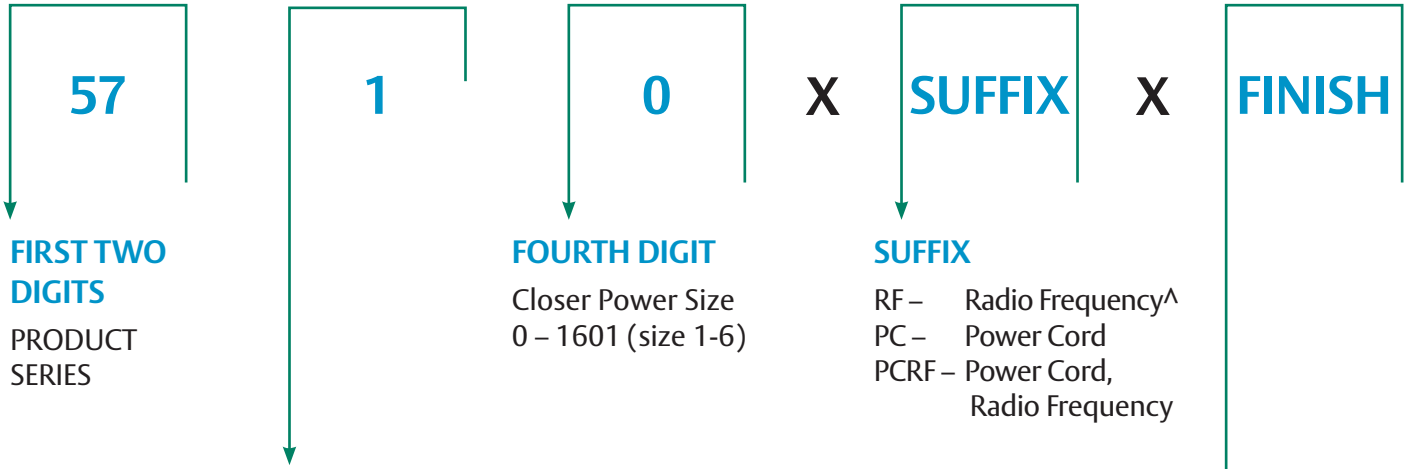


- 5710-1** - Arm and Track Assembly
- 7701ST-1A** - Arm Assembly
- 7200-1T** - Track Assembly



- 7701-1A** - Arm Assembly
- 7701-1W** - Main Arm & Rod
- 7701-11A** - Adjusting Tube & Shoe

#### HOW TO ORDER



**THIRD DIGIT**  
Identifies Type of Application

#### HINGE (PULL) SIDE OF DOOR

**1** – Rigid Arm & Slide Track  
Max reveal 1/8" (3mm)

#### STOP (PUSH) SIDE OF DOOR

**3** – Double Lever Arm  
Minimum reveal: 2-5/8" (67)  
Maximum reveal: 6-3/4" (171)

#### UNIVERSAL UNIT – PUSH OR PULL SIDE MOUNTING

**4** – Includes push and pull arms. Units shipped as a Rigid Arm/Slide Track; can be converted to a Double Lever Arm in field

Description	Specify Designation (BHMA)	Complements the following finishes	Old Designation
Aluminum	689	628, 625, 629, 630, 651	AL
Statuary Bronze	690	640, 613	STAT
Black Suede Powder	BSP	—	—
White Suede Powder	WSP	—	—

<sup>^</sup> Actuators not supplied with RF.  
See page 17 for Kits.