

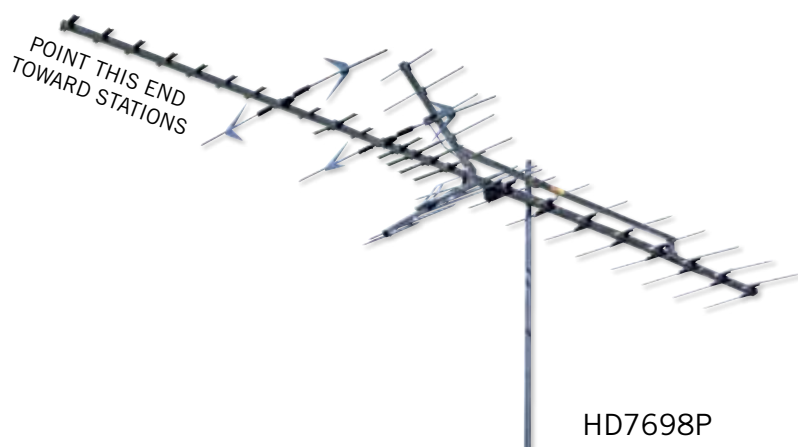


# WINEGARD®

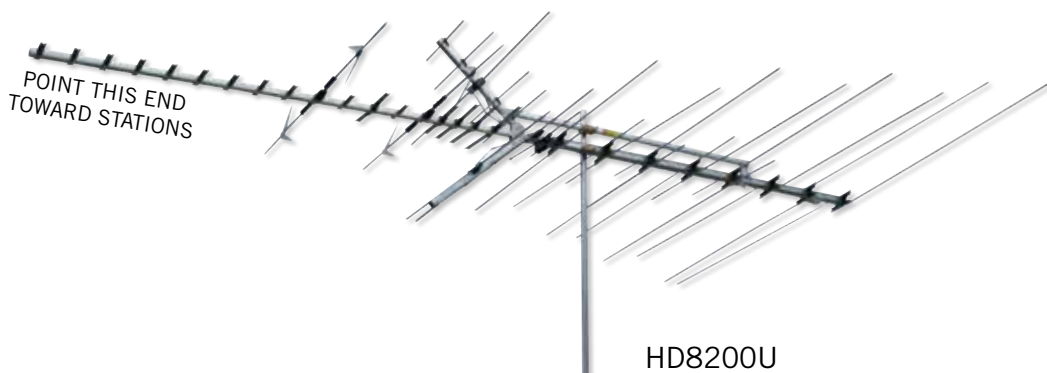
## VHF/UHF MODELS HD7698P & HD8200U

High Definition VHF/UHF Antennas

### INSTRUCTION MANUAL



HD7698P



HD8200U

Register your product at [winegard.com/myantenna](http://winegard.com/myantenna)  
For help, email [help@winegard.com](mailto:help@winegard.com)

**WARNING:** Installation of the antennas near power lines is dangerous!  
For your safety, follow the installation instructions.

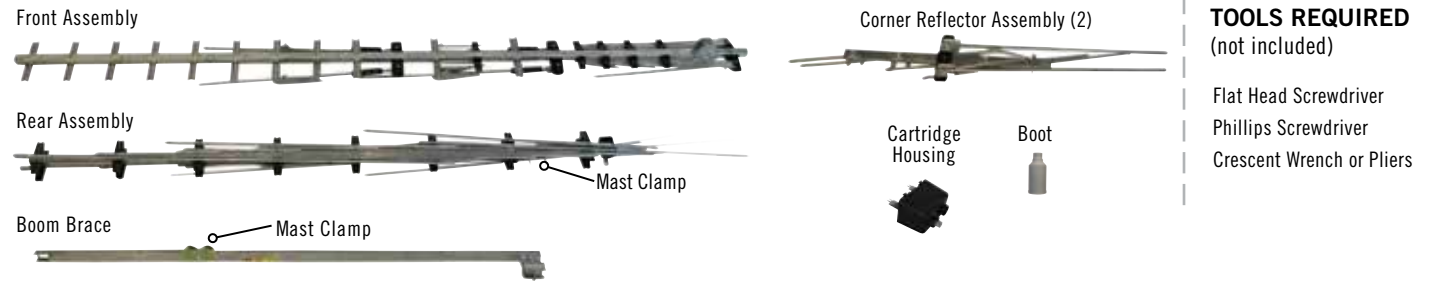


1450292

1450292  
Rev6 7-19

# PARTS LIST

**FIGURE 1**



# ASSEMBLY

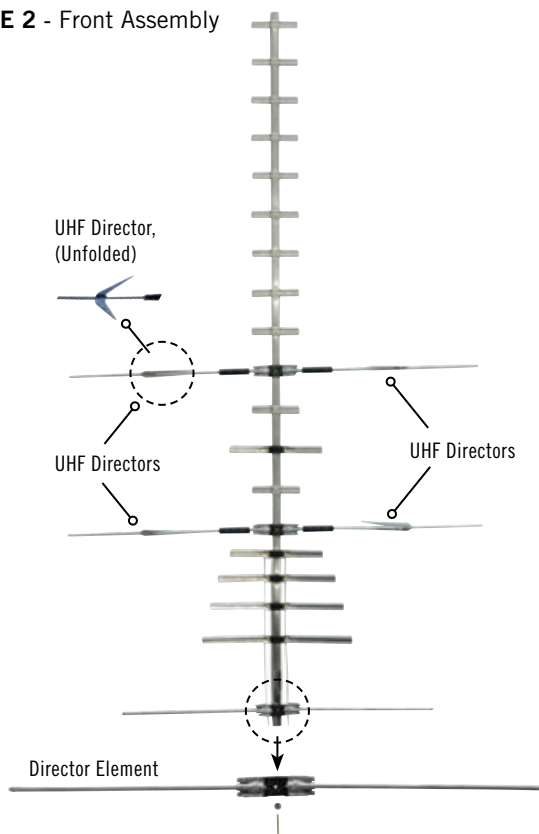
## STEP 1 - Contents of Package

A. Remove all parts from the box and compare to parts list to ensure nothing is missing and to become familiar with the part names. See *FIGURE 1*.

## STEP 2 - Front Section

- A. Stand front section up vertically and unfold all elements (in any order) until they snap into place.
- B. Remove bolt, hex nut, and director element from the front section boom. See *FIGURE 2*.
- C. Unfold the UHF directors. See *FIGURE 2*.
- D. Set front section aside being careful not to bend the elements (laying it flat on the ground is the best position).

**FIGURE 2 - Front Assembly**

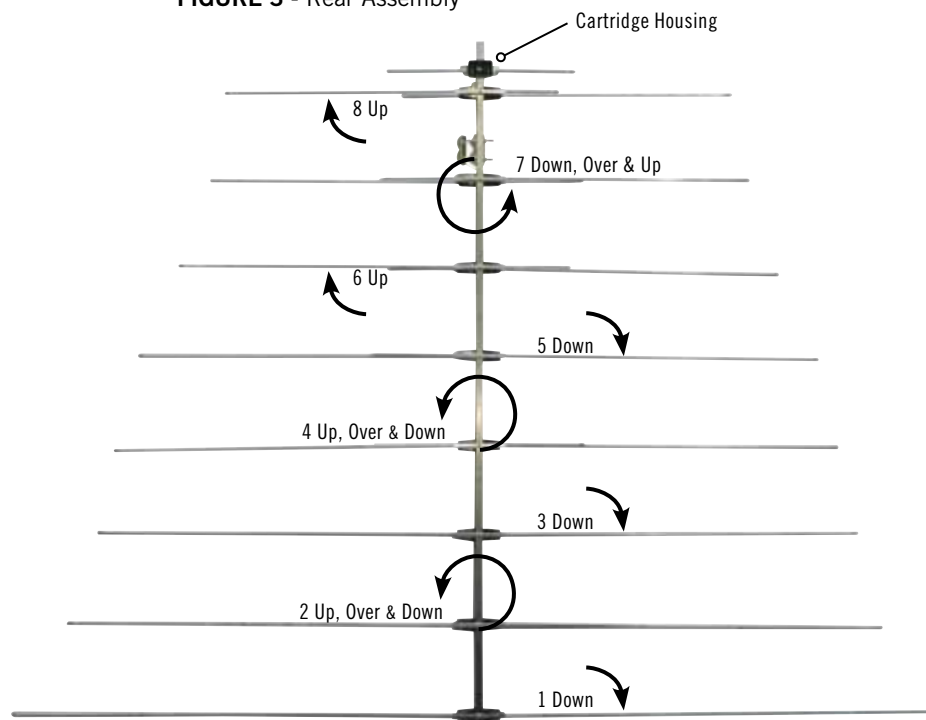


**NOTE: Unfolding elements procedure is the same for both HD7698P & HD8200U antennas.**

## STEP 3 - Rear Section

- A. Stand rear section up vertically with cartridge housing up and facing away from you.
- B. Alternately unfold elements per *FIGURE 3* in direction of arrows until they lock into place in the black plastic blocks.
- C. Spin the rear section around so the cartridge housing is now facing you. Unfold the remaining elements in the same order. See *FIGURE 3* for completely unfolded rear section.

**FIGURE 3 - Rear Assembly**



## STEP 4 - Attaching Front Section to Rear Section

- A. Slide the front boom into the rear boom making sure to feed the UHF phasing lines into the holes near the top of the cartridge housing, and into the slotted pegs inside the housing. See FIGURE 4. When finished, the phasing lines will be resting in the slots of the pegs, but will not extend out the back side of the cartridge housing.
- B. Reinstall the director element, bolt and nut. See FIGURE 2.

**WARNING:** Be sure the phasing lines **DO NOT** touch the metal bracket or the antenna boom. See FIGURE 4.

## STEP 5 - Cartridge Housing

- A. Attach the cartridge housing cover so all 4 snaps are locked in place. Direction of the housing does not matter. See FIGURE 5.

## STEP 6 - Corner Reflector Assemblies

- A. Unfold the elements on the corner reflector booms. Element clip tips should point away from the open end of each boom. See FIGURE 6.
- B. Attach the corner reflector booms using the supplied nuts and bolts. See FIGURE 6

**NOTE:** The HD8200U antenna tuning stubs do not need to touch the boom.

## STEP 7 - Boom Brace

- A. Install the boom brace by first removing the bolts and hex nuts.
- B. With the cartridge housing facing down, install the boom brace to the top corner reflector boom first, making sure the mast clamps are on the same side. See FIGURE 7. Only finger tighten the bolt and hex nut.
- C. Swing the other end of the boom brace down onto the rear section and insert the bolt and hex nut.
- D. Tighten both bolts and nuts (on each end of the boom brace) securely.

FIGURE 4 - Front Section to Rear Section

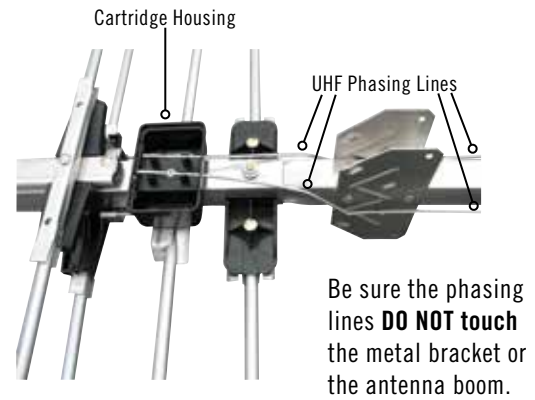


FIGURE 5 - Attach Cartridge Housing

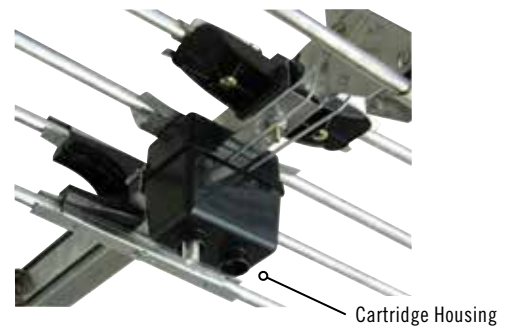


FIGURE 6 - Corner Reflector Assemblies

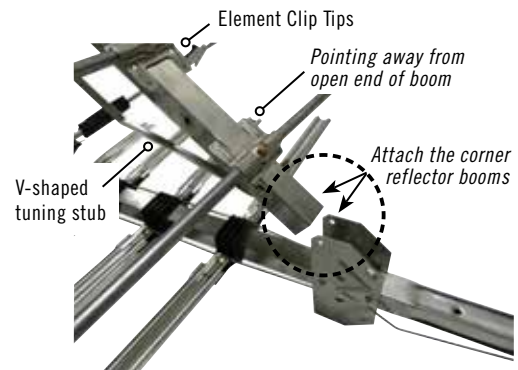
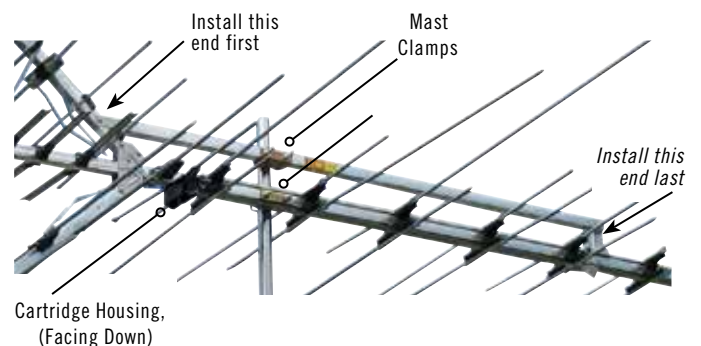


FIGURE 7 - Boom Brace Installed

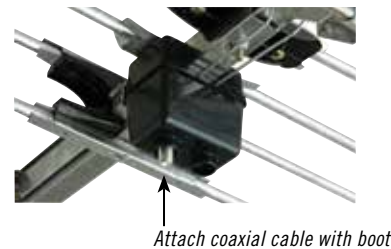


## STEP 8 - Coaxial Cable

- Slide the rubber boot over the end of the coaxial cable.
- Attach the F-connector to the coaxial cable.
- Attach the coaxial cable to the cartridge housing. See FIGURE 8.
- Slide the boot over the boot collar on the housing.

**NOTE: If your coax cable has factory connectors on it, clip small end of boot off, so boot will slip over connector.**

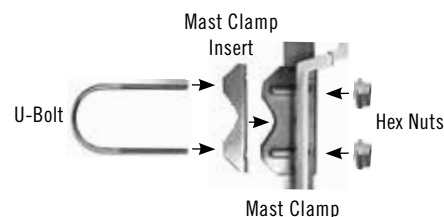
FIGURE 8 - Installing Coaxial Cable



## STEP 9 - Mounting Antenna to Mast

- Loosen nuts on the main boom and boom brace mast clamps. See FIGURE 9.
- Slide both mast clamps over the mast, pointing the front of the antenna (small end) towards stations and tighten the boom brace mast clamp securely.
- Let the main boom mast clamp slide down the mast until the boom brace supports the main boom. Tighten the main boom and brace mast clamps securely.
- To prevent wind whipping, the 75 ohm coaxial cable download may be secured to the mast with tape or plastic wire ties.

FIGURE 9 - Mast Clamp

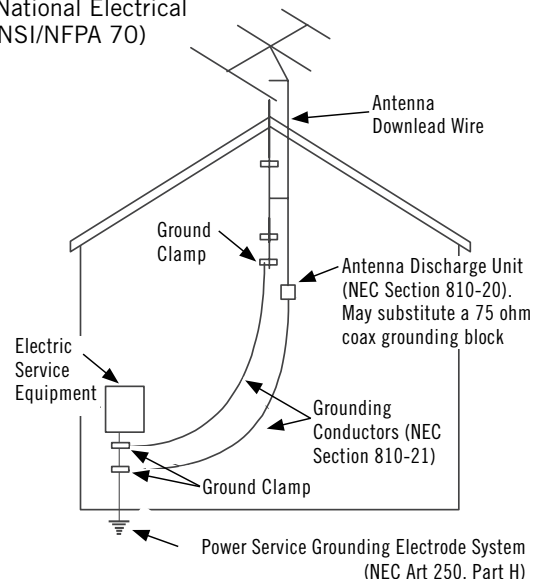


## Lightning Protection for TV Antenna & Set

- Mount the lightning arrester or 75 ohm coaxial grounding block as close as possible to where the 75 ohm coaxial cable download enters the house.
- The ground wires for both the mast and the download should be copper or aluminum wire, number eight or larger.
- The download wire from the antenna to the lightning arrester and the mast ground wire should be secured to the house, spaced four to six feet apart.

**NOTE: In the case of a "ground up" antenna installation, it may not be necessary to ground the mast if the mast extends four or more feet into the earth. Consult a TV serviceman for the proper depth in your location.**

LIGHTNING PROTECTION - Example of Antenna Grounding (as per National Electrical Code, ANSI/NFPA 70)



NEC - Nation Electrical Code

### 90 DAY LIMITED WARRANTY

Winegard Company warrants this Winegard product against any defects in materials or workmanship within 90 (ninety) days from date of purchase. No warranty claim will be honored unless at the time the claim is made, you present proof of purchase to an authorized Winegard dealer (if unknown, please contact Winegard Company, 3000 Kirkwood Street, Burlington, IA 52601-2000, Telephone 800-288-8094).

Winegard Company (at its option) will either repair or replace the defective product at no charge to you. This warranty covers parts, but does not cover any costs incurred in removal, shipping or reinstallation of the product. This limited warranty does not apply if the product is damaged, deteriorates, malfunctions or fails from: misuse, improper installation, abuse, neglect, accident, tampering, modification of the product as originally manufactured by Winegard, usage not in accordance with product instructions or acts of nature such as damage caused by wind, lightning, ice or corrosive environments such as salt spray and acid rain.

The 90 Day Warranty is provided on the condition that the equipment is properly delivered with all handling and freight charges prepaid to your Winegard dealer for return to our factory for repair or replacement. Winegard dealers will arrange for the replacement or repair and return to you without charge the product which failed due to defective material or workmanship.

WINEGARD COMPANY WILL NOT ASSUME ANY LIABILITIES FOR ANY OTHER WARRANTIES, EXPRESS OR IMPLIED, MADE BY ANY OTHER PERSON.

ALL OTHER WARRANTIES WHETHER EXPRESS, IMPLIED OR STATUTORY INCLUDING WARRANTIES OF FITNESS FOR A PARTICULAR PURPOSE AND MERCHANTABILITY ARE LIMITED TO THE 90-DAY PERIOD OF THIS WARRANTY.

The foregoing shall be the sole and exclusive remedy of any person, whether in contract, tort or otherwise, and Winegard shall not be liable for incidental or consequential damage or commercial loss, or from any other loss or damage except as set forth above.

Some states do not allow limitations on how long an implied warranty lasts, or the exclusion of limitation of incidental or consequential damages, so the above limitations or exclusions may not apply to you.

This warranty gives you specific legal rights and you may also have other rights which vary from state to state.

Rev. 2/08