

# Z5R6452X 5MP Day & Night Auto Focus IR Vandal Resistant IP Dome Camera

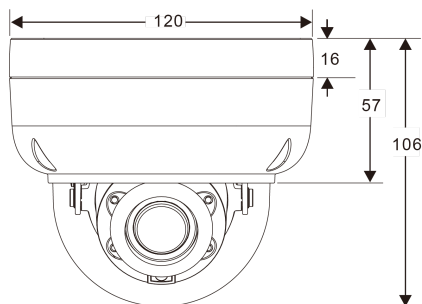
www.meritlilin.com



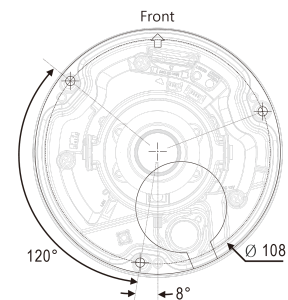
- ▶ 5 megapixel CMOS image sensor
- ▶ 5MP H.265/HEVC and H.264/AVC high-performance video compression
- ▶ Simultaneous streaming of H.265 and H.264 encoded streams
- ▶ Auto focus with zoom / focus motorized lens
- ▶ 3D noise reduction (MCTF)
- ▶ 2D WDR function
- ▶ DWDR function up to 70dB
- ▶ High efficiency IR LED, radiant distance up to 30m
- ▶ Day & Night (IR cut removable)
- ▶ Digital I/O : 1 in, 1 out
- ▶ Impact Resistant Polycarbonate Dome Cover
- ▶ 3-Axis construction
- ▶ ONVIF Profile S supported
- ▶ IP67 rain and dust resistant
- ▶ Vandal resistant approve

## Dimensions

Ø120 × 106 mm



## Diagram of mounting holes:(unit in mm)



## Wind and Rain Standards

Meet international IP67 standards for dust and moisture resistant allowing you to install cameras in environments subject to wind and rain



## Impact Resistant

IK10-certified housing designed to protect the camera from destructive behavior



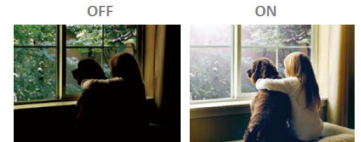
## Day and Night Operations via Removal of the IR-cut filter

Z5R6452X camera was designed using a mechanical IR cut filter for increased IR sensitivity resulting in improved night time images. The removable IR-cut filter allows day and night operations even in the low lux condition providing outstanding vision



## Back Light Compensation

Back Light Compensation (BLC) adjusts the exposure of the entire image to properly expose the subject in the foreground. No matter if the main object is moving toward left, right, upper, lower, or any location in the screen, BLC provides perfect exposure for an object in front of strong back light



## Sense Up+

Deliver outstanding video outputs in poor light conditions without experiencing motion blur. You can see video clearly even during nighttime without sufficient lighting support



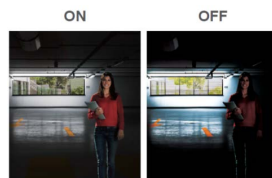
## 3D Noise Reduction

Remove noise from a signal. Suppressing noise in an image in low light conditions and able to retain quality videos at the same time



## Wide Dynamic Range (WDR)

Wide Dynamic Range (WDR) displays details of both the brightest and darkest areas. WDR can extend image visibility under high contrast lighting scenes and improve image quality



## Privacy Masking

Privacy Masking is a feature used to protect personal privacy by concealing private areas in the camera's field of view. Doorways and house windows for example are not subject to surveillance



## Auto Focus feature

Use the camera software to trigger the auto focus function at any time during installation or after. Auto Focus feature to automatically focus the camera from a distant location, which eases the process on installation and helps you effectively position the camera at the right focus angle in a matter of seconds



## Video Security App

Available on Android and iOS – LILINViewer app provides security alarm push notification, real-time live viewing, and remote video playback



## 5MP Day & Night Auto Focus IR Vandal Resistant IP Dome Camera

### Video Performance

Model	Z5R6452X
Min. Illumination	Color : 0.04 Lux at F1.6 ; B/W : 0.006 Lux at F1.6 ; 0 Lux with IR LED ON

### Power and Environment

Starting Temperature	-10°C – +50°C (14°F – 122°F)
Operating Temperature	-30°C – +50°C (-22°F – 122°F)
Storage Temperature	-25°C – +60°C (-13°F – 140°F)
Humidity	0% ~ 90% RH
Power Supply	DC12V ±10% / PoE (IEEE 802.3af compliant)
Power Consumption	DC12V, 7.5W / PoE, 10W

### Lens / Night vision (infrared LED)

Focal Length	2.8 – 8 mm (zoom / focus motorized)
Iris	F1.6
Iris Control	Fixed IRIS
Angle of View	104.2° (W) – 51.9° (T) (H) 75.2° (W) – 38.6° (T) (V) 137.0° (W) – 64.5° (T) (D)
Peak Wavelength	850nm
Beam Spread	60° , 90°
Radiant Distance	30M

### Sensor

Pick Up Element	1/2.7" CMOS image sensor
Effective Pixels	2608(H) X 1960(V) = 5,499,760 (Pixels)
Light sensor	Yes

### Certifications

CE	Yes, EMI CLASS A
FCC	Yes, EMI CLASS A
IP Rating	IP67
Vandal Resistant Rating	IK10

### PC Requirements

CPU	Intel® Core™ i7 or higher grade
OS	Windows 7 or above
RAM	8GB or more, Dedicated Graphics Card
Web browser	Microsoft® Internet Explorer® 9 or above

### Mechanical

Dimension	Ø120 × 106 mm
Weight	760g
Casing Material	Aluminum alloy

### Input / Output

Alarm Input / Output	Digital 1 input (TTL, +3 – 5VDC) / 1 Output (MOS Relay contact N.O., Load.max. 40VDC,450mW/300mA,450mW), Terminal block
----------------------	---

### Video Streaming

Video Compression	H.265/HEVC Main Profile, H.264 Main Profile , Motion JPEG
Video Streaming	RTSP/UDP, RTSP/TCP, configurable streams in H.265 and H.264 and Motion JPEG, configurable frame rate and bandwidth
Number of streams	3
Video Bitrate	128Kbps - 8192Kbps, Frame rate and bit rate controllable on-the-fly, VBR / CBR / GOP supported, H.264/H.265

### Network Security

Encryption	Base64 HTTP encryption, Digest HTTP authentication, RTSP Authentication
Authentication	Digest HTTP authentication, RTSP authentication, DDNS via HTTP
Access	Multiple user access levels with password protection
User accounts	7 simultaneous users

### Video Resolutions (H x V)

Resolution	5MP(2592 × 1920), 4MP(2304 × 1728), 3MP(2304x1280), 2MP(1920 × 1080), 1.3MP(1280 × 960), 1MP(1280 × 720), 720 × 576, 720 × 480, 720 × 384, VGA(640 × 480), CIF(352 × 256)
Maximum Frame Rate	2592x1944 / 20 fps

### Video Functions

Scanning System	Progressive Scan
Infrared Cut Filter	Auto / Schedule / Day (Color) / Night (Mono)
White Balance	Auto/ Manual (adjustable)
Back Light Compensation	Off / On
Electrical Shutter	1/30(1/25)s – 1/20000s
Sense Up	Off / x2 / x4
Sense Up+	Yes
Auto Gain Control	36 dB Variable Gain
S/N Ratio	More than 48dB (AGC off)
3D Noise Reduction	Off / 1 – 32 Selectable
2D WDR	Off / Auto (x2, x3, x4)
High Dynamic Range	Up to 70dB (DWDR on)
EV (Exposure Value)	Adjustable
Privacy Masking	Off / On (4 zones) color mask configurable
Image Effects	Brightness, Contrast, Hue, Saturation, Sharpness, Mirror, Flip, Rotation
Auto Focus	One Push

### Integration

Mobile Application	Integrated to LILIN mobile app (LILIN Viewer), iPhone, iPad, Android support
Video Management	ONVIF Profile S / LILIN Navigator Enterprise 2.0 support, Third party VMS through LILIN HTTP API
SD Card Recording	Support (128GB) Micro SD/SDHC/SDXC card for circular recording (card is not included)
Maintenance	Firmware update via HTTP and IP Scan; Firmware available at website
Event Triggers	Motion / Alarm / Network lost detection / Global Counter / Virtual Input / Metadata
Event actions	FTP / SMTP / HTTP POST / SD / SAMBA / Alarm / Global Counter / Virtual Input
Languages	English, Traditional Chinese, Simplified Chinese, Spanish, Italian, Turkish, Russian, Korean, French, Arabic, Hungarian, Japanese

### Network

Ethernet	10/100 Mbps Base-T (Tx), RJ-45
OSD	Text overlay for date, time, and camera name (position configurable text overlay for date, time, camera name)
CPU, Memory	SoC ARM Cortex-A7 Single Core 800MHz, Embedded 128MB DDR3, 128MB flash memory
OS	Embedded Linux 3.10
Network Protocols	IPv4, TCP, UDP, HTTP, HTTPS, SMTP, NTP, DDNS, FTP, ARP, DHCP, DNS, RTSP, RTCP, Telnet, ICMP, IGMP, ONVIF Profile S, SSL/TLS
Max number of online users	7 simultaneous users
Video Display	LILIN Universal ActiveX
Log	System / Config / Alarm / User / Record / Storage / Network