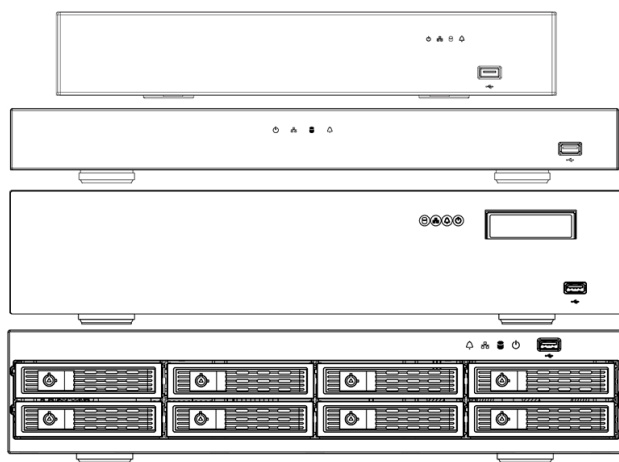


4K UHD NVR Series

Quick Installation Guide



Electromagnetic Compatibility (EMC)

This equipment generates, uses and can radiate radio frequency energy and, if not installed and used in accordance with the instructions, may cause harmful interference to radio communications.

However, there is no guarantee that interference will not occur in a particular installation.

If this equipment does cause harmful interference to radio or television reception, which can be determined by turning the equipment off and on, the user is encouraged to try to correct the interference by one or more of the following measures: Re-orient or relocate the receiving antenna. Increase the separation between the equipment and receiver. Connect the equipment to an outlet on a different circuit to the receiver. Consult your dealer or an experienced radio/TV technician for help. Shielded (STP) network cables must be used with this unit to ensure compliance with EMC standards.

Professional 1U 19" PoE NVR and Professional 2U 19" Internal Hard Drives NVR has been tested and found to comply with the limits for a class B digital device, pursuant to part 15 of the FCC Rules. These limits are designed to provide reasonable protection against harmful interference in a residential installation. Operation of this equipment in a residential area is likely to cause interference, in which case the user at his/her own expense will be required to take whatever measures may be required to correct the interference.

Professional 2U 19" Removable Hard Drives NVR and Standard PoE NVR series has been tested and found to comply with the limits for a Class A digital device, pursuant to part 15 of the FCC Rules. These limits are designed to provide reasonable protection against harmful interference when the equipment is operated in a commercial environment. Operation of this equipment in a residential area is likely to cause harmful interference in which case the user will be required to correct the interference at his/her own expense.

Features

- Standalone Embedded Linux System
- Supports 4K(UHD) IP cameras
- 4K HDMI Output
- Compatible with iOS and Android devices
- Metadata can be embedded into videos
- Supports Setup Wizard
- HTML5 streaming, multiple browser supported
- P2P easy remote access supported

Caution

- Do not drop or strike the equipment
- Do not install the equipment near naked flames or heat sources
- Do not expose this unit to rain, moisture, smoke or dusty environments
- Do not cover the opening of the unit with cloth or plastic or install this unit in a poorly-ventilated place. Allow 10 cm between this unit and its surroundings
- Do not continue to operate the unit under abnormal conditions such as detection of smoke, strange smell, or malfunctioned screen whilst power is turned on
- Do not touch the power connection with wet hands
- Do not damage the power cord or leave it under pressure
- To avoid unnecessary magnetic interference, do not operate this unit near magnets, speaker system, etc.
- All connection cables must be grounded properly

CAUTION

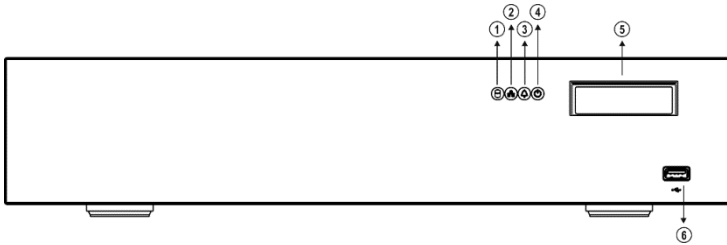
RISK OF EXPLOSION IF BATTERY IS REPLACED WITH AN INCORRECT TYPE
DISPOSE OF USED BATTERIES ACCORDING TO THE INSTRUCTIONS



Product Overview

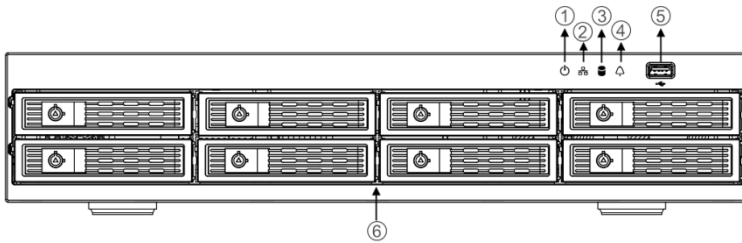
Professional 2U 19" Series

Internal Hard Drives Model Front View



1. HDD LED, green, blinking, HDD activity indicator
2. LAN LED, green, LAN activity indicator
3. ALARM LED, red, blinking, indicator or triggered event
4. POWER LED, amber, power on/off indicator
5. OLED display, system activity information
6. USB port

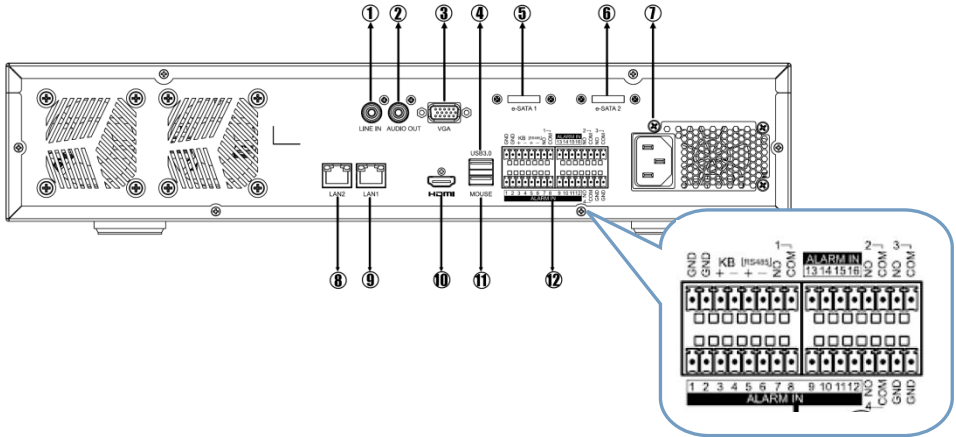
Removable Hard Drives Model Front View



1. POWER LED, amber, power on/off indicator
2. LAN LED, green, LAN activity indicator
3. HDD LED, green, blinking, HDD activity indicator
4. ALARM LED, red, blinking, indicator or triggered event
5. USB Port
6. HDD trays, hard drives sequence if from left to right, top to bottom

4K UHD Network Video Recorder Quick Installation Guide

Internal Hard Drives Model and Removable Hard Drives Model Rear View

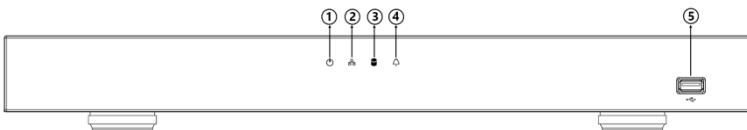


1. LINE IN	7. Power socket
2. AUDIO OUT	8. RJ-45 Gigabit connector 1
3. VGA output	9. RJ-45 Gigabit connector 2
4. USB 3.0 port	10. HDMI output
5. eSATA port 1	11. USB port
6. eSATA port 2	12. DI/DO, RS-485, KB

* DO No.3 has a status switch that when initialize.

Professional 1U 19" Series

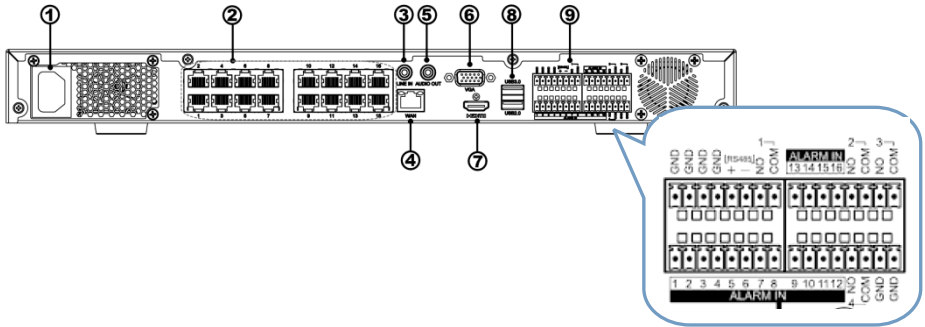
16 Port PoE Model Front View



1. Power LED, amber, power on/off indicator
2. LAN LED, green, LAN activity indicator
3. HDD LED, green, blinking, HDD activity indicator
4. ALARM LED, red, blinking, indicator or triggered event
5. USB port

4K UHD Network Video Recorder Quick Installation Guide

16 Port PoE Model Rear View

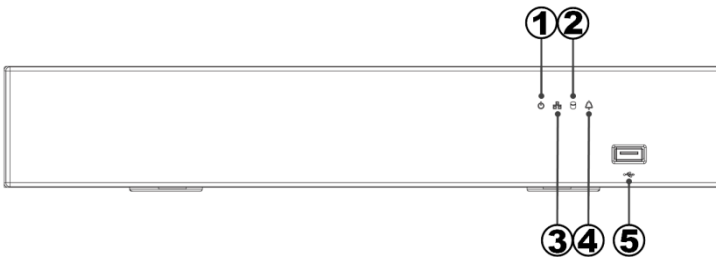


1. Power socket	6. VGA output
2. RJ-45 PoE 100Mbps Port x 16	7. HDMI output
3. Audio Line in	8. USB port
4. RJ-45 Gigabit connector	9. DI/DO, RS-485, COM
5. Audio OUT	

* DO No.3 has a status switch that when initialize.

Standard Series

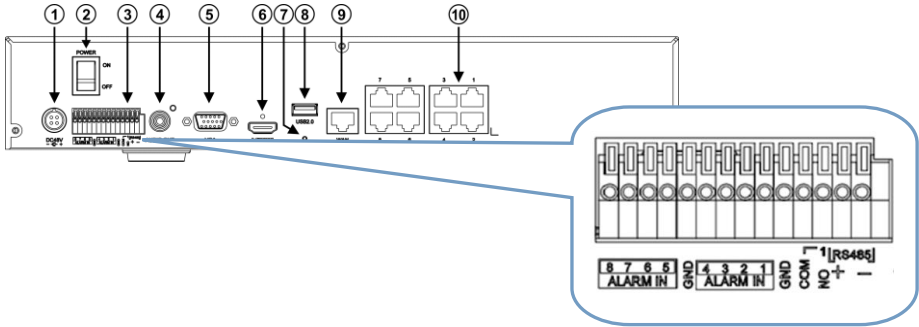
4 / 8 /16 PoE Port Model Front View



1. Power LED, amber, power on/off indicator
2. HDD LED, green, blinking, HDD activity indicator
3. LAN LED, green, LAN activity indicator
4. ALARM LED, red, blinking, indicator or triggered event
5. USB port

4K UHD Network Video Recorder Quick Installation Guide

4 / 8 PoE Port Model Rear View

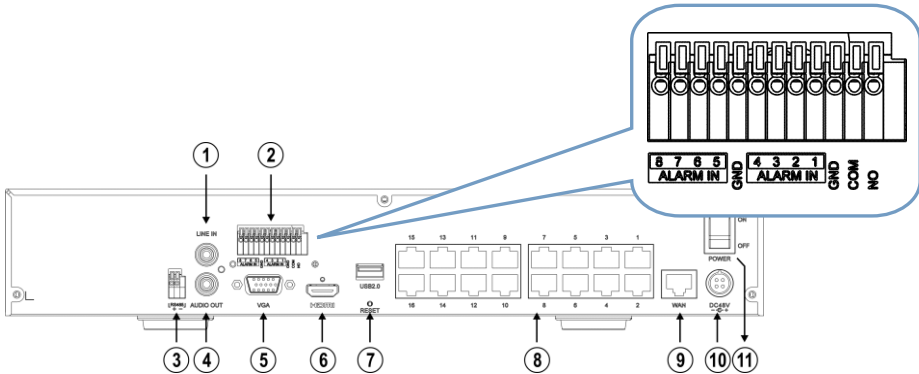


1. Power socket	6. HDMI output
2. Power switch	7. Reset button
3. DI/DO, KB*	8. USB port
4. Audio OUT	9. RJ-45 Gigabit connector
5. VGA output	10. RJ-45 PoE 100Mbps connector*

*4 PoE Port Model: DI x 4, DO x 1, RJ-45 PoE 100Mbps Port x 4

*8 PoE Port Model: DI x 8, DO x 1, RJ-45 PoE 100Mbps Port x 8

16 Port PoE Model Rear View



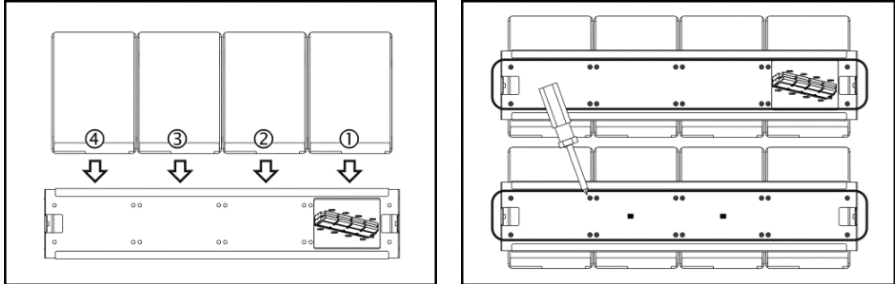
1. Audio Line in	7. USB port
2. DI/DO, KB	8. RJ-45 PoE 100Mbps Port x 16
3. RS-485	9. RJ-45 Gigabit connector
4. Audio OUT	10. Power switch
5. VGA output	11. Power socket
6. HDMI output	

* DO No.3 has a status switch that when initialize.

Installation Instructions

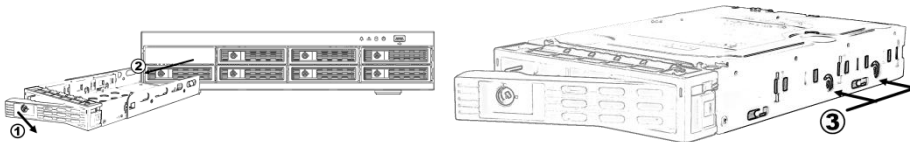
Hard Drive Installation

Profession 2U 19" Internal Hard Drives Model / Professional 1U 19" 16 Port PoE Model



Remove NVR upper casing and loosen the screws at both sides of the hard drive bracket to take it out, install hard drives and tighten the hard drive with screws as instructed in the image above, and properly connect the SATA and power cables to the connectors, finally, complete the hard drive installation by closing NVR upper casing and tightening the screws.

Profession 2U 19" Removable Hard Drives Model

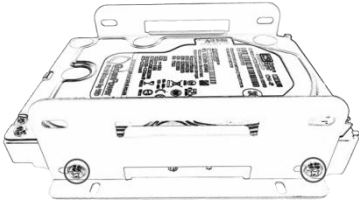


Pull out the hard drive tray from NVR front panel, put the hard drive into the tray and tighten the hard drive at both sides with screws, the hard drive tray compatible to 2.5" and 3.5" hard drive, make sure the hard drive tightened well, finally push hard drive tray back to NVR front panel.

Standard 4/8 Port PoE Model

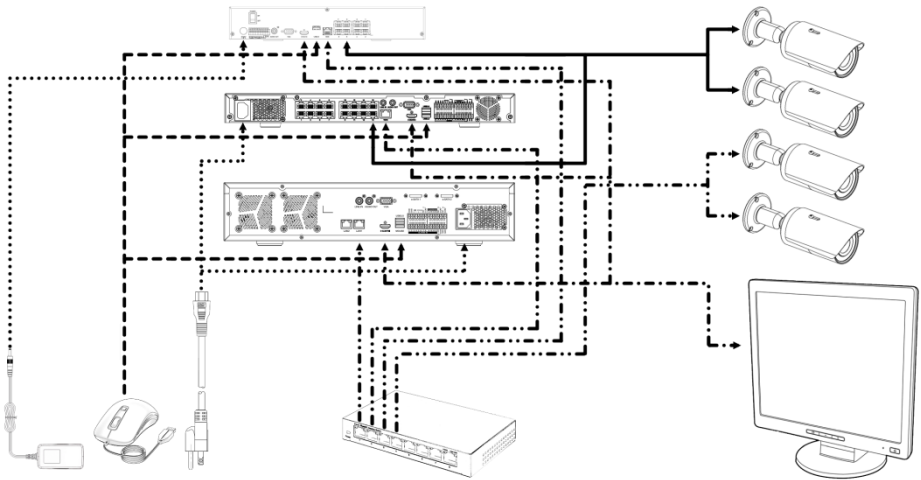
Remove NVR upper casing and loosen the screws at both sides of the hard drive bracket to take it out, install the hard drive and tighten the hard drive with screws that within package, put the hard drive bracket back and tight it well, properly connect SATA and power cables to connectors, closing NVR upper casing to complete the hard drive installation.

4K UHD Network Video Recorder Quick Installation Guide



Network Video Recorder Instructions

Reference below structure to install



-→ : Power cord or adapter output to NVR power socket
- : USB mouse to NVR USB port
- - - - -→ : NVR video output (HDMI / VGA) to monitor input
- · - · - · → : NVR / IP camera ethernet connector to network switch
- : NVR PoE port to IP camera PoE port

1. Plug USB mouse into NVR USB port
2. Plug power cord or adapter output into NVR power socket
3. Connect network switch, plug a network cable on NVR RJ-45 Gigabit connector, opposite end of cable into network switch
4. PoE Series NVR use with PoE IP camera, plug a network cable on NVR RJ-45 PoE 100Mbps connector, opposite end of cable into IP camera

4K UHD Network Video Recorder Quick Installation Guide

5. NVR use with DC power supply IP camera, plug a network cable on IP camera, opposite end of cable into network switch
6. Plug HDMI or VGA cable on NVR, opposite end of cable into monitor HDMI or VGA input
7. Make sure all cables properly connected, power on the NVR

Beginning using the NVR

Details about NVR operation, please scan the QR code that within the package to get the operation manual.

DISTRIBUTOR :