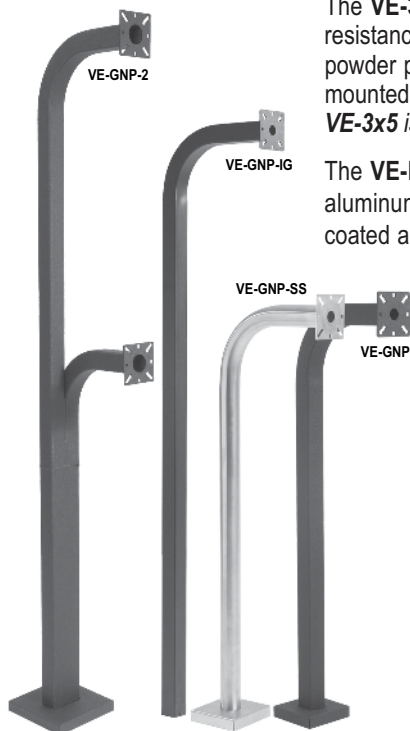


Surface or Pedestal Mount Viking Products While Maintaining Weather and Vandal Resistance



The **VE-3x5**, **VE-5x5**, **VE-6x7**, **VE-5x10** and **NR** (Lower Profile No Rainguard Versions) add vandal and weather resistance, as well as versatility to many Viking products. The **VE-Series** backboxes are available in black fine texture powder painted steel or marine grade 316 stainless steel. The weather resistant boxes are designed to be surface mounted to a wall, post, single or double gang electrical box*, or a **VE-GNP** gooseneck pedestal. * **Important:** The **VE-3x5** is not compatible with the **VE-GNP** pedestals and is not available in stainless steel.

The **VE-PNL**'s are **VE-Series** backboxes with a blank aluminum panel. The user can customize the clear-coated aluminum panel to mount a **PRX-1** card reader, **PRX-2** keypad or switch. The kits come complete with box, gasket, panel and screws. Model numbers that end with "SS" have a brushed stainless steel finish.

Note: The use of magnets to mount the **VE-Series** enclosure to a metal surface can affect the operation of the enclosed product.

The **VE-GNP** gooseneck pedestals are designed to be used with the **VE-5x5**, **VE-6x7** and **VE-5x10** backboxes and are ideal for drive up communications.



Features

- Surface mount to a wall, post, single or double gang electrical box*
- **VE-5x5**, **VE-6x7**, and **VE-5x10** also mount to **VE-GNP** series gooseneck pedestals
- **VE-PNL**'s blank aluminum panels are easy to modify
- Adds weather and vandal resistance
- Finishes: Heavy duty 16 gauge steel that is primer powder coated then top coated with textured black or red powder paint or available in brushed 316 marine grade stainless steel

* **Note:** **VE-3x5** will not mount to a double gang electrical box or **VE-GNP** series gooseneck pedestal

Applications

- Drive up communication
- Commercial door security
- Business / delivery entrances
- Vehicular gates
- Parking ramps/lots
- Truck stops / fuel islands

www.VikingElectronics.com
Information: 715-386-8861

Specifications

Product specifications by model number on pages 2-7.

Compatibility

The VE-Series Surface Mount Boxes are designed to surface mount the following Viking products:

Model	DOD	Description	VE Model
E-10A / E-10-IP	210 / 248	Speaker Phone	VE-5x5
E-30 / E-30-IP	212 / 248	Handsfree Speaker Phone with Dialer	VE-5x5
E-30-PT	214	Speaker Phone with Push-To-Talk Button	VE-5x5
E-35 / E-35-IP	178 / 251	Handsfree Speaker Phone with Dialer and Color Video Camera	VE-5x5
E-40 Series	187	Single Gang Entry Phone	VE-3x5
E-50 Series	191	Single Gang Entry Phone with Color Video Camera	VE-3x5
E-60 / E-60-IP Series	206 / 250	Double Gang Entry Phone	VE-5x5
E-65 Series	203	Double Gang Entry Phone with Color Video Camera	VE-5x5
E-70 Series	207	Entry Phone with Built-In Proximity Card Reader	VE-5x5
E-75 Series	208	Entry Phone with Proximity Card Reader and Color Video Camera	VE-5x5
E-1600-20A / E-1600-20-IP	215 / 255	ADA Compliant, Handsfree Emergency Phone with INFO and HELP Buttons	VE-5x5
E-1600-30A / E-1600-30-IP	215 / 255	ADA Compliant, Handsfree Emergency Phone with Dialer and Announcer	VE-5x5
K-1200 / K-1200-IP	182 / 271	12 Button Apartment Entry Phone with Built in Door Strike Relay	VE-5x10
K-1205 / K-1205-IP	183 / 272	12 Button Entry Phone with Door Strike Relay / Color Video Camera	VE-5x10
K-1270-IP	273	VoIP 12 Button Apartment Phone with Proximity Card Reader	VE-5x10
K-1275-IP	274	VoIP 12 Button Apartment Phone with Color Video and Proximity Card Reader	VE-5x10
K-1700-3 / K-1700-IP	157 / 253	Handsfree Phone with Keypad	VE-6x7
K-1705-3 / K-1705-IP	159 / 254	Handsfree Video Entry Phone with Keypad	VE-6x7
K-1770-3 / K-1770-IP	275 / 257	Handsfree Phone with Keypad and Proximity Card Reader	VE-6x7
K-1775-3 / K-1775-IP	280 / 258	Handsfree Video Phone with Keypad and Proximity Card Reader	VE-6x7
K-1900-7 / K-1900-7-IP	360 / 363	Hot-Line Panel Phone	VE-5x10
K-1900-8 / K-1900-8-IP	362 / 361	Hot-Line Panel Phone with Keypad	VE-5x10
W-1000	170	Weather Resistant Handsfree Doorbox	VE-5x5
W-3000	180	Vandal Resistant Handsfree Stainless Steel Doorbox	VE-5x5
W-3005	181	Vandal Resistant Handsfree Doorbox with Color Video Camera	VE-5x5

Note: If installing products outdoors or where the unit will be exposed to precipitation or condensation, purchase the Enhanced Weather Protection (EWP) version. EWP products are designed with added protection for outdoor installations. For more information on EWP, see DOD 859.

Installation and Specifications

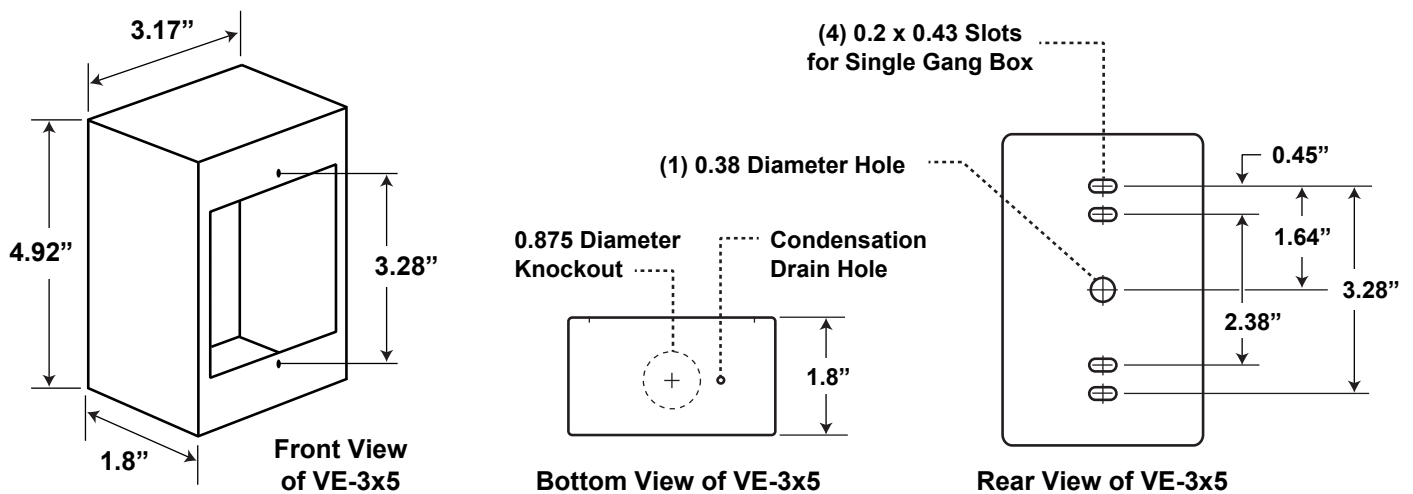
A. VE-3x5 Surface Mount Box

Material: 16 gauge CRS

Finish: UV stable black fine texture powder paint

Shipping Weight: 1.0 lb (0.45 kg)

Important: The **VE-3x5** is not compatible with the **VE-GNP** pedestals.

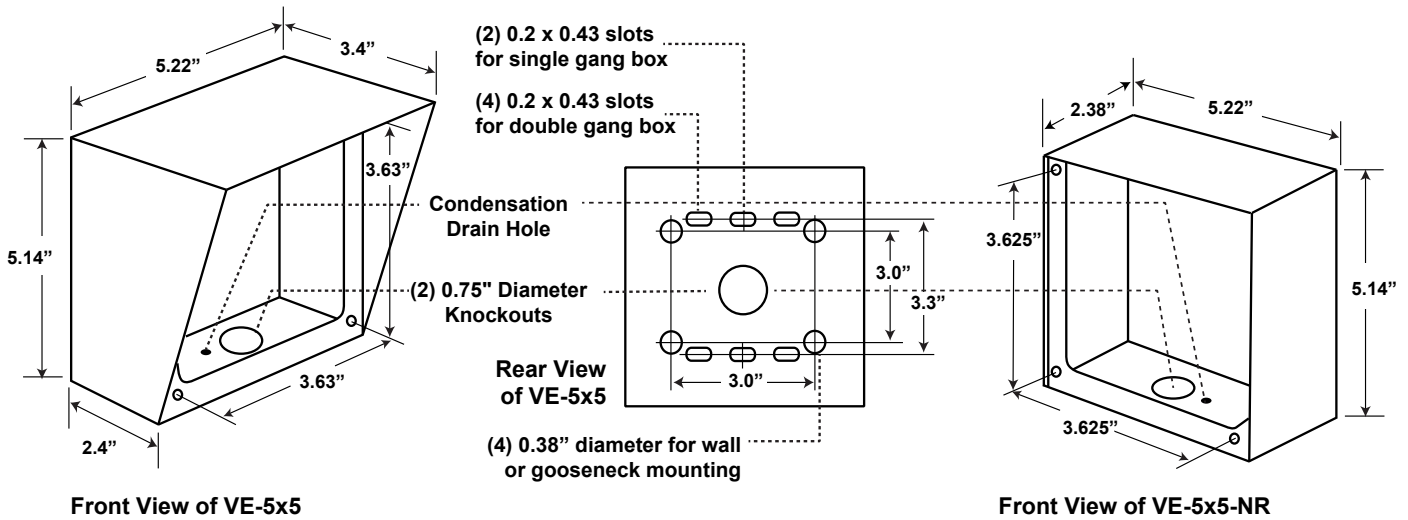


B. VE-5x5 / VE-5x5-SS / VE-5x5-RD Surface Mount Box or VE-5x5-NR / VE-5x5-NR-SS / VE-5x5-NR-RD Low Profile Surface Mount Box without Rainguard

VE-5x5 and VE-5x5-NR Material: 16 gauge CRS
VE-5x5 and VE-5x5-NR Finish: UV stable black fine texture powder paint
VE-5x5-SS and VE-5x5-NR-SS Material: 16 gauge Marine Grade 316 stainless steel
VE-5x5-SS and VE-5x5-NR-SS Finish: #4B brushed
VE-5x5-RD and VE-5x5-NR-RD Material: 16 gauge CRS
VE-5x5-RD and VE-5x5-NR-RD Finish: UV stable red fine texture powder paint

Shipping Weight:

VE-5x5: 1.7 lb (0.77 kg)
VE-5x5-NR: 1.6 lb (0.73 kg)
VE-5x5-SS: 1.8 lb (0.82 kg)
VE-5x5-NR-SS: 1.7 lb (0.77 kg)
VE-5x5-RD: 1.7 lb (0.77 kg)
VE-5x5-NR-RD: 1.6 lb (0.73 kg)



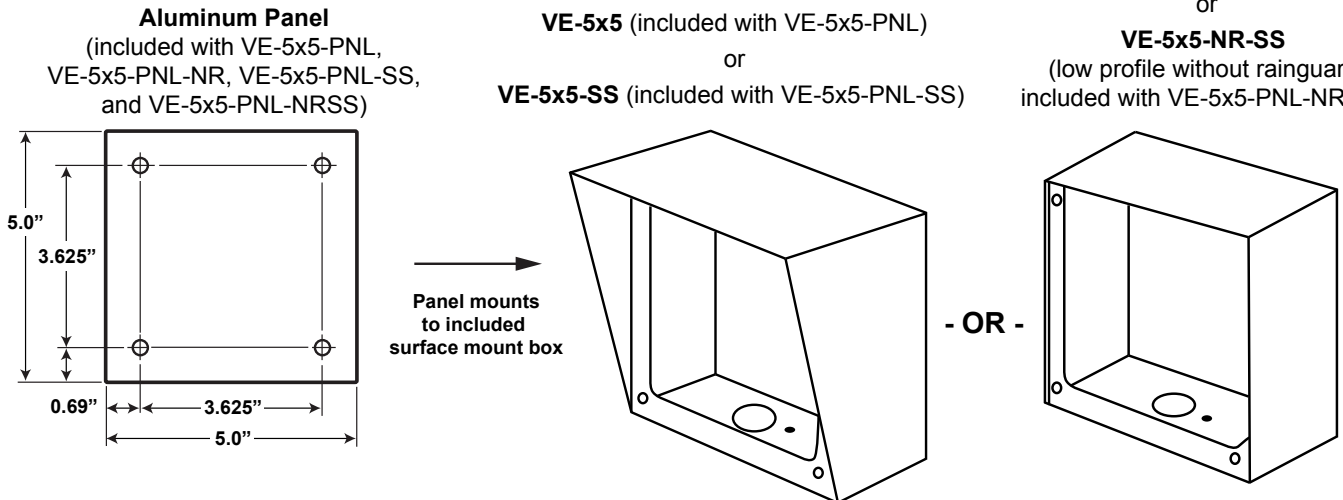
C. VE-5x5-PNL / VE-5x5-PNL-SS / VE-5x5-PNL-NR / VE-5x5-PNL-NRSS

Panel Material: 12 gauge aluminum
Panel Finish: UV stable clear gloss powder paint

Shipping Weight:

VE-5x5-PNL: 2.0 lb (0.91 kg)
VE-5x5-PNL-NR: 1.9 lb (0.86 kg)
VE-5x5-PNL-SS: 2.0 lb (0.91 kg)
VE-5x5-PNL-NRSS: 1.9 lb (0.86 kg)

VE-5x5-NR
 (low profile without rainguard,
 included with VE-5x5-PNL-NR)
 or
VE-5x5-NR-SS
 (low profile without rainguard,
 included with VE-5x5-PNL-NRSS)



D. VE-6x7 / VE-6x7-SS Surface Mount Box or VE-6x7-NR / VE-6x7-NR-SS Low Profile Surface Mount Box without Rainguard

VE-6x7 and VE-6x7-NR Material: 16 gauge CRS

VE-6x7 and VE-6x7-NR Finish: UV stable black fine texture powder paint

VE-6x7-SS and VE-6x7-NR-SS Material: 16 gauge Marine Grade 316 stainless steel

VE-6x7-SS and VE-6x7-NR-SS Finish: #4B brushed

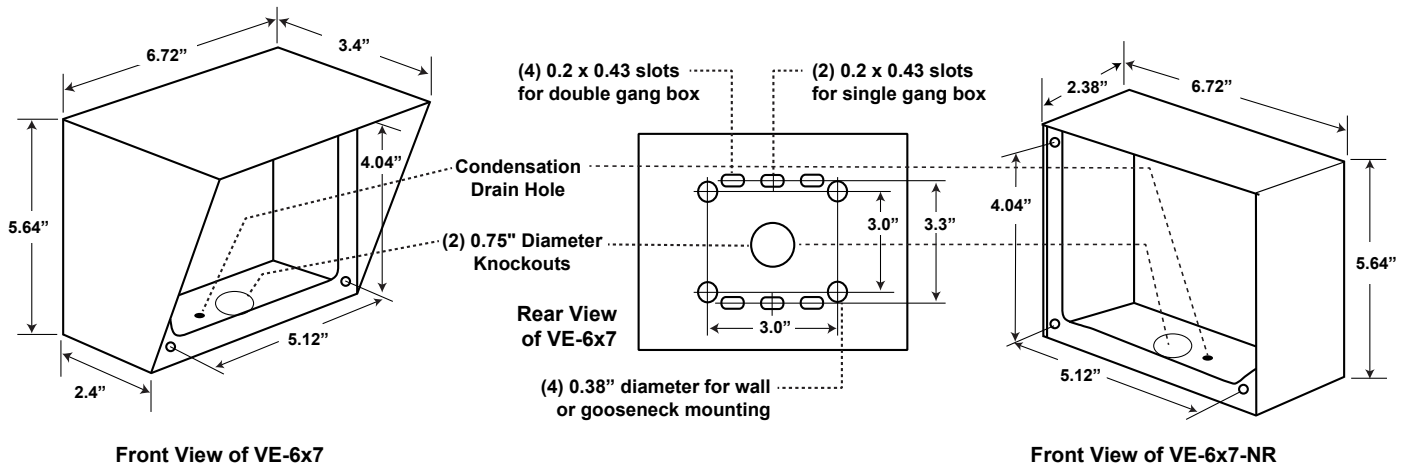
Shipping Weight:

VE-6X7: 2.1 lb (0.95 kg)

VE-6x7-NR: 2.0 lb (0.91 kg)

VE-6x7-SS: 2.2 lb (1.00 kg)

VE-6x7-NR-SS: 2.1 lb (0.95 kg)



E. VE-6x7-PNL / VE-6x7-PNL-SS / VE-6x7-PNL-NR / VE-6x7-PNL-NR-SS

Panel Material: 12 gauge aluminum

Panel Finish: UV stable clear gloss powder paint

Shipping Weight:

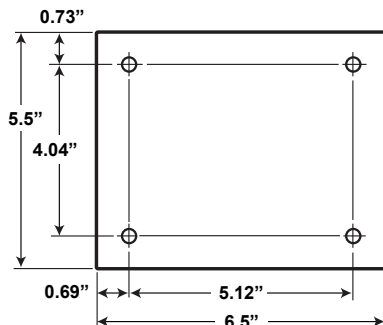
VE-6x7-PNL: 2.4 lb (1.09 kg)

VE-6x7-PNL-NR: 2.3 lb (1.04 kg)

VE-6x7-PNL-SS: 2.5 lb (1.13 kg)

VE-6x7-PNL-NRSS: 2.4 lb (1.09 kg)

Aluminum Panel
(included with VE-6x7-PNL, VE-6x7-PNL-SS, VE-6x7-PNL-NR and VE-6x7-PNL-NRSS)



VE-6x7 (included with VE-6x7-PNL)

or

VE-6x7-SS (included with VE-6x7-PNL-SS)

VE-6x7-NR

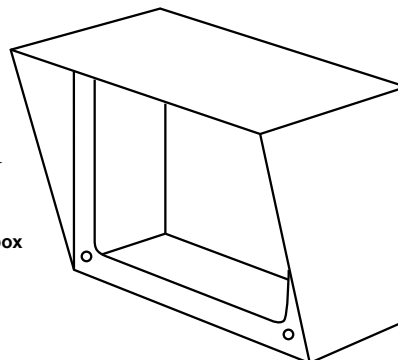
(low profile without rainguard)
(included with VE-6x7-PNL-NR)

or

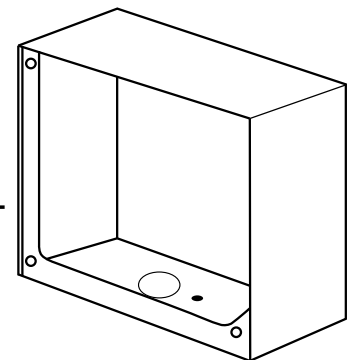
VE-6x7-NR-SS

(low profile without rainguard)
(included with VE-6x7-PNL-NRSS)

Panel mounts
to included
surface mount box



- OR -



F. VE-5x10 / VE-5x10-SS Surface Mount Box or VE-5x10-NR / VE-5x10-NR-SS Low Profile Surface Mount Box without Rainguard

VE-5x10 and VE-5x10-NR Material: 16 gauge CRS

VE-5x10 and VE-5x10-NR Finish: UV stable black fine texture powder paint

VE-5x10-SS and VE-5x10-NR-SS Material: 16 gauge Marine Grade 316 stainless steel

VE-5x10-SS and VE-5x10-NR-SS Finish: #4B brushed

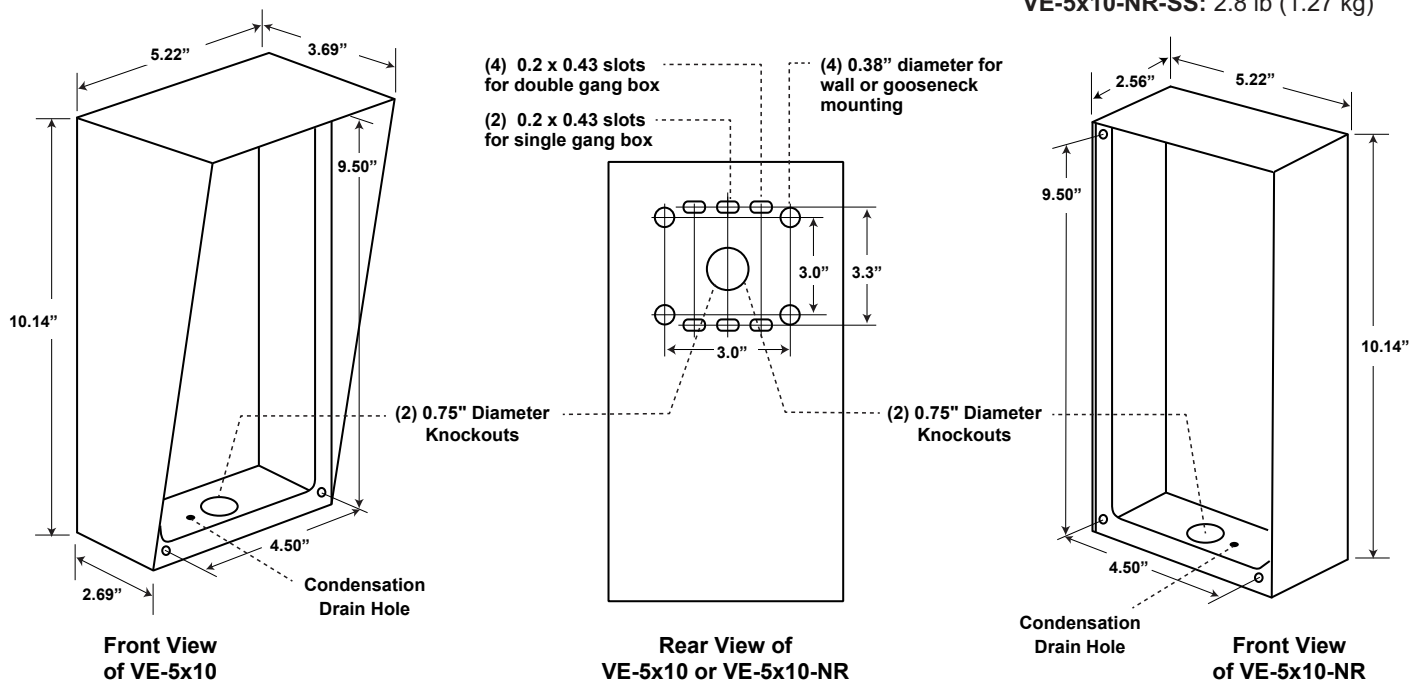
Shipping Weight:

VE-5x10: 2.7 lb (1.22 kg)

VE-5x10-NR: 2.6 lb (1.18 kg)

VE-5x10-SS: 2.9 lb (1.32 kg)

VE-5x10-NR-SS: 2.8 lb (1.27 kg)



G. VE-5x10-PNL / VE-5x10-PNL-SS / VE-5x10-PNL-NR / VE-5x10-PNLNRSS

Panel Material: 12 gauge aluminum

Panel Finish: UV stable clear gloss powder paint

Shipping Weight:

VE-5x10-PNL: 3.1 lb (1.41 kg)

VE-5x10-PNL-NR: 3.0 lb (1.36 kg)

VE-5x10-PNL-SS: 3.3 lb (1.36 kg)

VE-5x10-PNLNRSS: 3.2 lb (1.45 kg)

Aluminum Panel
(included with VE-5x10-PNL, VE-5x10-PNL-NR, VE-5x10-PNL-SS, and VE-5x10-PNLNRSS)

VE-5x10 (included with VE-5x10-PNL)

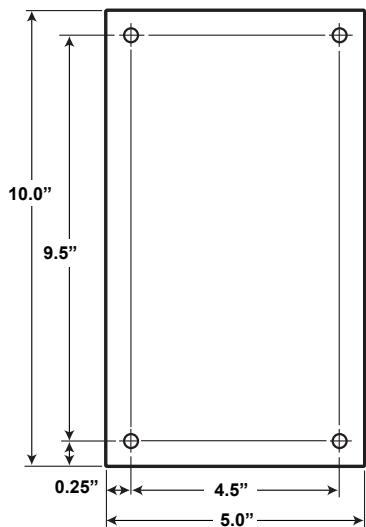
or

VE-5x10-SS (included with VE-5x10-PNL-SS)

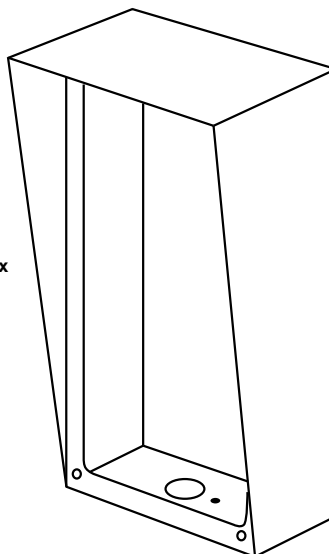
VE-5x10-NR (low profile without rainguard, included with VE-5x10-PNL-NR)

or

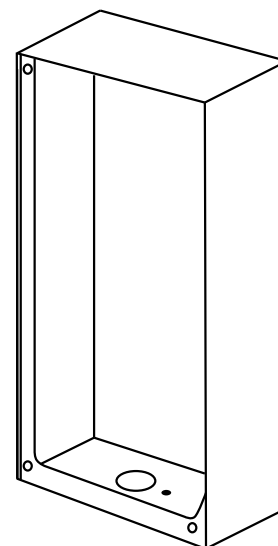
VE-5x10-NR-SS (low profile without rainguard, included with VE-5x10-PNLNRSS)



Panel mounts to included surface mount box



- OR -



H. VE-GNP Gooseneck Pedestal

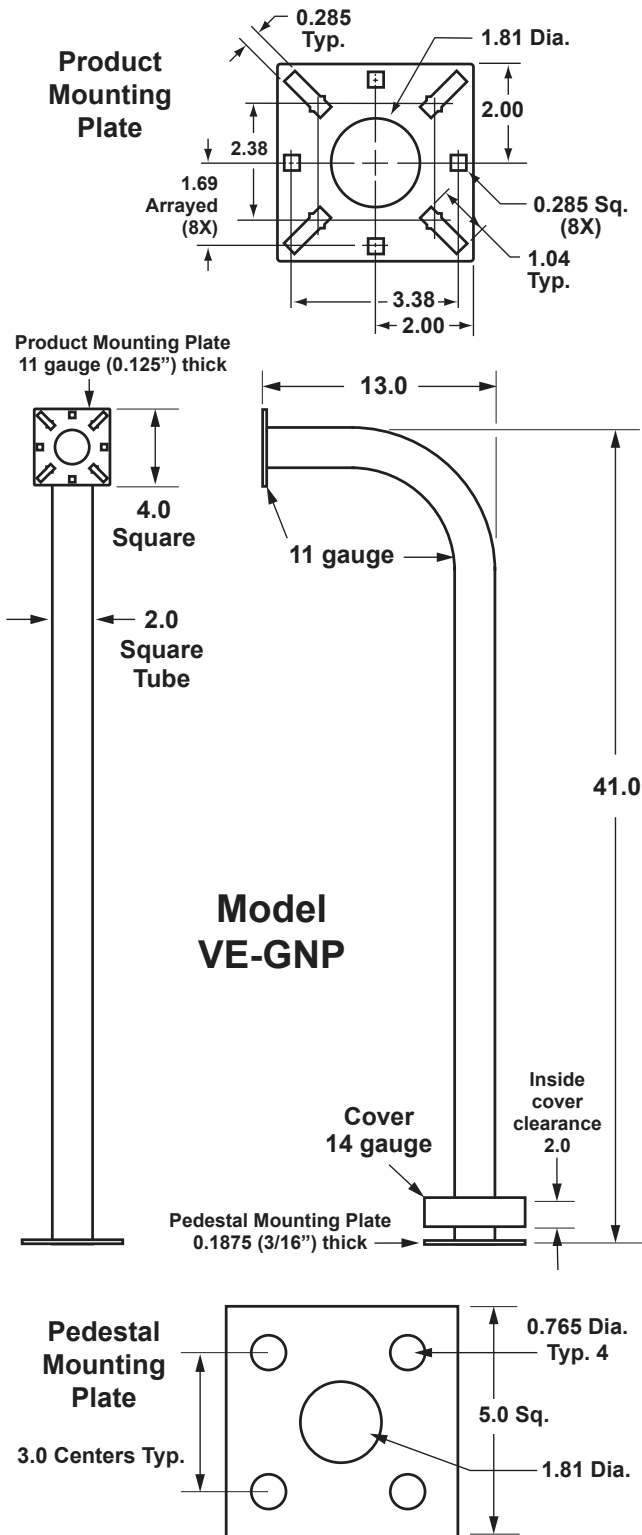
Description: 42" tall, pad mount, steel gooseneck pedestal. Universal car height for most applications.

Material: CRS (see gauges below)

Finish: UV stable black wrinkle powder paint

Shipping Weight: 17.9 lbs (8.12 kg)

Note: Adhere included gasket to back of **VE-Series** backbox then fasten backbox to pedestal.



I. VE-GNP-SS Gooseneck Pedestal

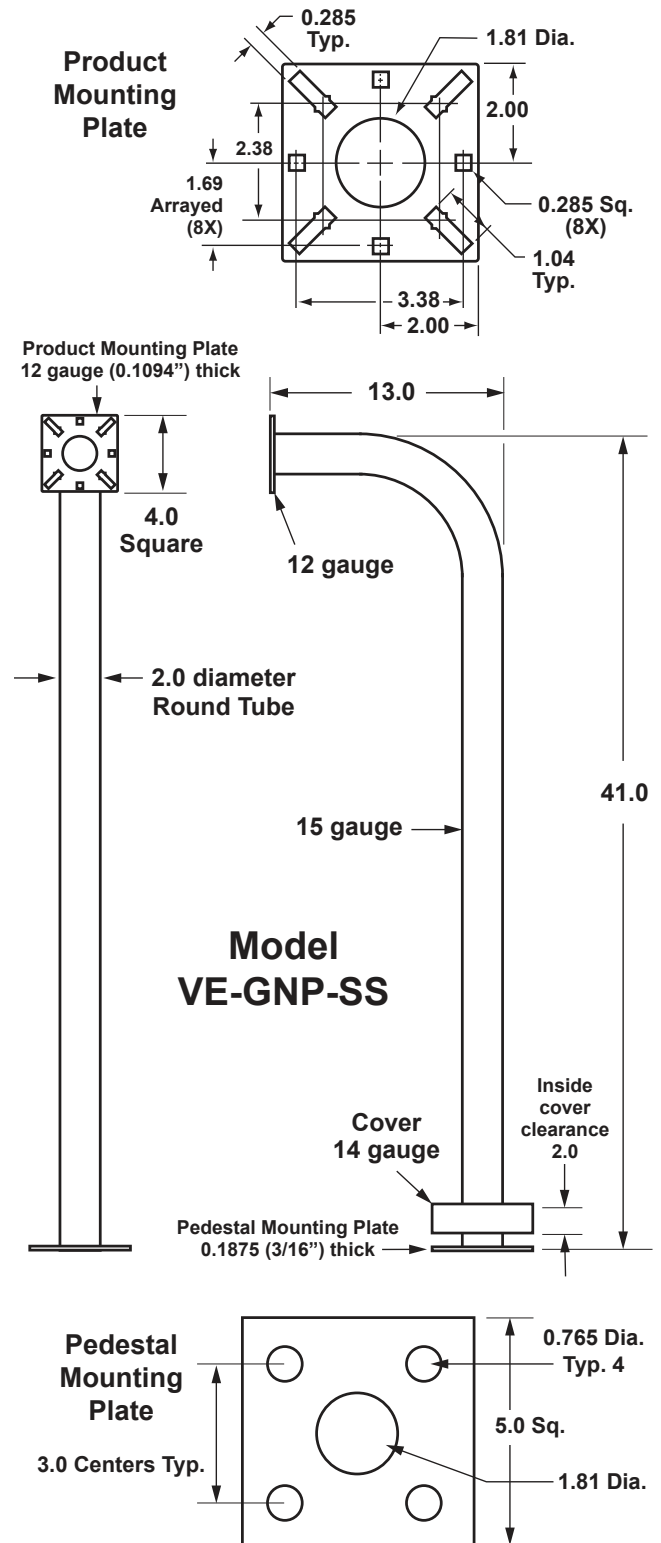
Description: 42" tall, pad mount, stainless steel gooseneck pedestal. Universal car height for most applications.

Material: 304 Stainless Steel (see gauges below)

Finish: #4B Brushed

Shipping Weight: 9.9 lbs (4.49 kg)

Note: Adhere included gasket to back of **VE-Series** backbox then fasten backbox to pedestal.



J. VE-GNP-IG Gooseneck Pedestal

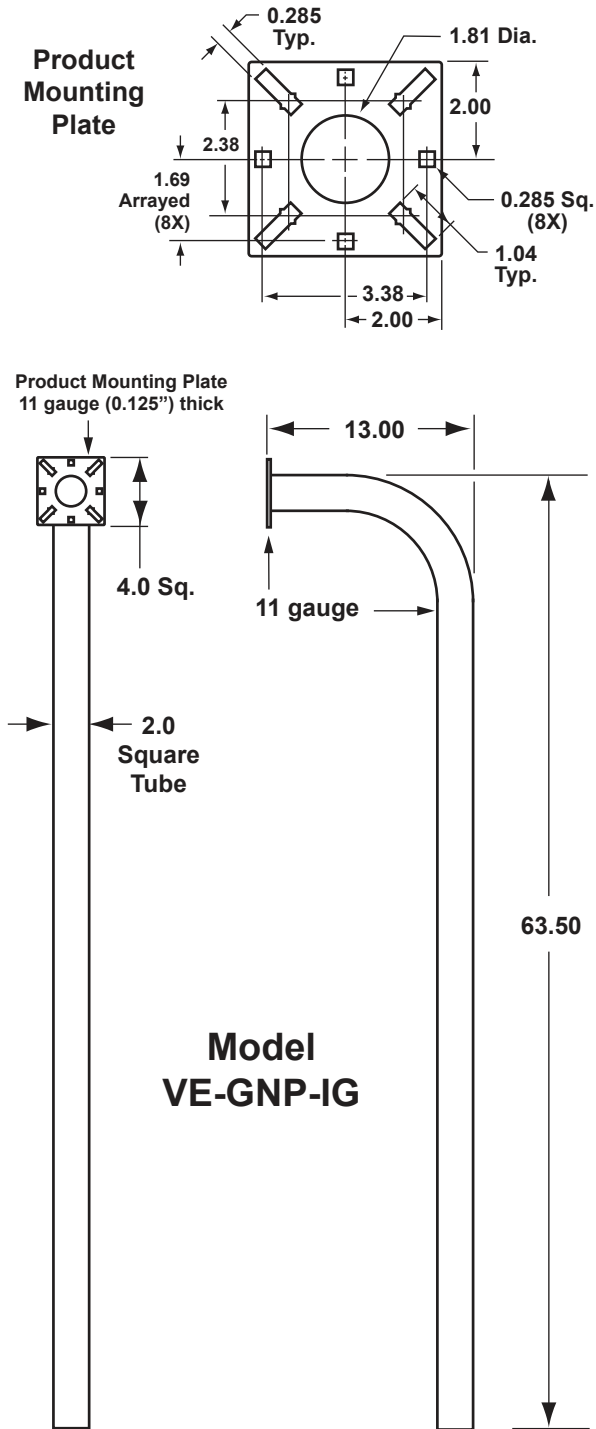
Description: 64" tall, in-ground/wet cement mount, steel gooseneck pedestal. Insert bottom approximately 22" into ground/cement for 42" tall pedestal (universal car height for most applications).

Material: CRS (11 gauge)

Finish: UV stable black wrinkle powder paint

Shipping Weight: 20.6 lbs (9.344 kg)

Note: Adhere included gasket to back of **VE-Series** backbox then fasten backbox to pedestal.



K. VE-GNP-2 Gooseneck Pedestal

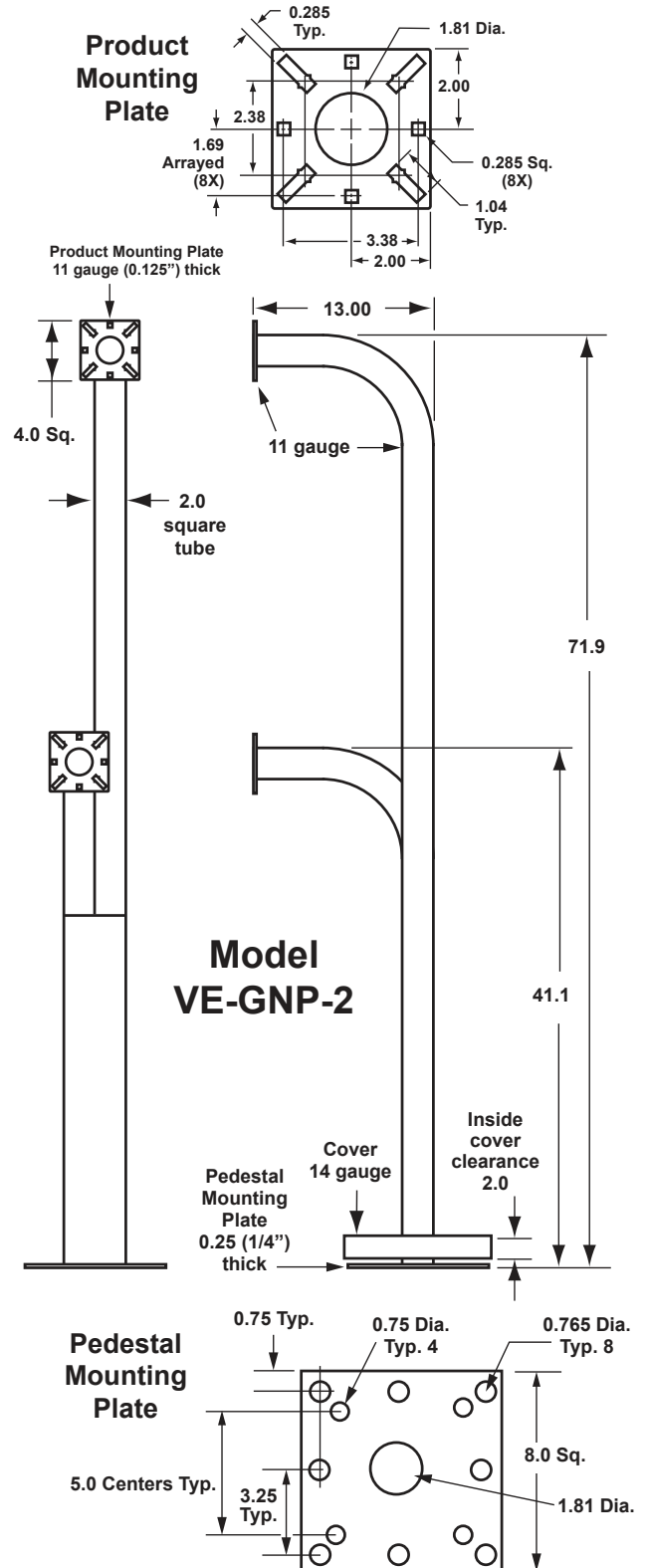
Description: 42"/72" tall, dual-height, pad mount, steel gooseneck pedestal. Ideal for both car and truck applications.

Material: CRS (see gauges below)

Finish: UV stable black wrinkle powder paint

Shipping Weight: 44.7 lbs (20.28 kg)

Note: Adhere included gasket to back of **VE-Series** backbox then fasten backbox to pedestal.



Warranty

IF YOU HAVE A PROBLEM WITH A VIKING PRODUCT PLEASE CONTACT: VIKING TECHNICAL SUPPORT AT (715) 386-8666

Our Technical Support Department is available for assistance Monday to Friday 8:00am - 5:00pm central standard time. So that we can give you better service, before you call please:

1. Know the model number, the serial number and what software version you have (see serial label).
2. Have your Technical Practice in front of you.
3. It is best if you are on site.

RETURNING PRODUCT FOR REPAIR

The following procedure is for equipment that needs repair:

1. Customer must contact Viking's Technical Support Department at 715-386-8666 to obtain a Return Authorization (RA) number. The customer MUST have a complete description of the problem, with all pertinent information regarding the defect, such as options set, conditions, symptoms, methods to duplicate problem, frequency of failure, etc.
2. Packing: Return equipment in original box or in proper packing so that damage will not occur while in transit. Static sensitive equipment such as a circuit board should be in an anti-static bag, sandwiched between foam and individually boxed. All equipment should be wrapped to avoid packing material lodging in or sticking to the equipment. Include ALL parts of the equipment. C.O.D. or freight collect shipments cannot be accepted. Ship cartons prepaid to:

Viking Electronics, 1531 Industrial Street, Hudson, WI 54016

3. Return shipping address: Be sure to include your return shipping address inside the box. We cannot ship to a P.O. Box.
4. RA number on carton: In large printing, write the R.A. number on the outside of each carton being returned.

RETURNING PRODUCT FOR EXCHANGE

The following procedure is for equipment that has failed out-of-box (within 10 days of purchase):

1. Customer must contact Viking's Technical Support at 715-386-8666 to determine possible causes for the problem. The customer MUST be able to step through recommended tests for diagnosis.
2. If the Technical Support Product Specialist determines that the equipment is defective based on the customer's input and troubleshooting, a Return Authorization (R.A.) number will be issued. This number is valid for fourteen (14) calendar days from the date of issue.
3. After obtaining the R.A. number, return the approved equipment to your distributor, referencing the R.A. number. Your distributor will then replace the product over the counter at no charge. The distributor will then return the product to Viking using the same R.A. number.
4. **The distributor will NOT exchange this product without first obtaining the R.A. number from you. If you haven't followed the steps listed in 1, 2 and 3, be aware that you will have to pay a restocking charge.**

TWO YEAR LIMITED WARRANTY

Viking warrants its products to be free from defects in the workmanship or materials, under normal use and service, for a period of two years from the date of purchase from any authorized Viking distributor. If at any time during the warranty period, the product is deemed defective or malfunctions, return the product to Viking Electronics, Inc., 1531 Industrial Street, Hudson, WI., 54016. Customer must contact Viking's Technical Support Department at 715-386-8666 to obtain a Return Authorization (R.A.) number.

This warranty does not cover any damage to the product due to lightning, over voltage, under voltage, accident, misuse, abuse, negligence or any damage caused by use of the product by the purchaser or others. This warranty does not cover non-EWP products that have been exposed to wet or corrosive environments. This warranty does not cover stainless steel surfaces that have not been properly maintained.

NO OTHER WARRANTIES. VIKING MAKES NO WARRANTIES RELATING TO ITS PRODUCTS OTHER THAN AS DESCRIBED ABOVE AND DISCLAIMS ANY EXPRESS OR IMPLIED WARRANTIES OR MERCHANTABILITY OR FITNESS FOR ANY PARTICULAR PURPOSE.

EXCLUSION OF CONSEQUENTIAL DAMAGES. VIKING SHALL NOT, UNDER ANY CIRCUMSTANCES, BE LIABLE TO PURCHASER, OR ANY OTHER PARTY, FOR CONSEQUENTIAL, INCIDENTAL, SPECIAL OR EXEMPLARY DAMAGES ARISING OUT OF OR RELATED TO THE SALE OR USE OF THE PRODUCT SOLD HEREUNDER.

EXCLUSIVE REMEDY AND LIMITATION OF LIABILITY. WHETHER IN AN ACTION BASED ON CONTRACT, TORT (INCLUDING NEGLIGENCE OR STRICT LIABILITY) OR ANY OTHER LEGAL THEORY, ANY LIABILITY OF VIKING SHALL BE LIMITED TO REPAIR OR REPLACEMENT OF THE PRODUCT, OR AT VIKING'S OPTION, REFUND OF THE PURCHASE PRICE AS THE EXCLUSIVE REMEDY AND ANY LIABILITY OF VIKING SHALL BE SO LIMITED.

IT IS EXPRESSLY UNDERSTOOD AND AGREED THAT EACH AND EVERY PROVISION OF THIS AGREEMENT WHICH PROVIDES FOR DISCLAIMER OF WARRANTIES, EXCLUSION OF CONSEQUENTIAL DAMAGES, AND EXCLUSIVE REMEDY AND LIMITATION OF LIABILITY, ARE SEVERABLE FROM ANY OTHER PROVISION AND EACH PROVISION IS A SEPARABLE AND INDEPENDENT ELEMENT OF RISK ALLOCATION AND IS INTENDED TO BE ENFORCED AS SUCH.

Product Support: 715-386-8666

Due to the dynamic nature of the product design, the information contained in this document is subject to change without notice. Viking Electronics, and its affiliates and/or subsidiaries assume no responsibility for errors and omissions contained in this information. Revisions of this document or new editions of it may be issued to incorporate such changes.