

EXT-B

Extension Pipe

Product Features:

Acts as an inline splice to extend drop length of LCD-1C by up to 28" (can be cut to length)

31" Tempered steel mast

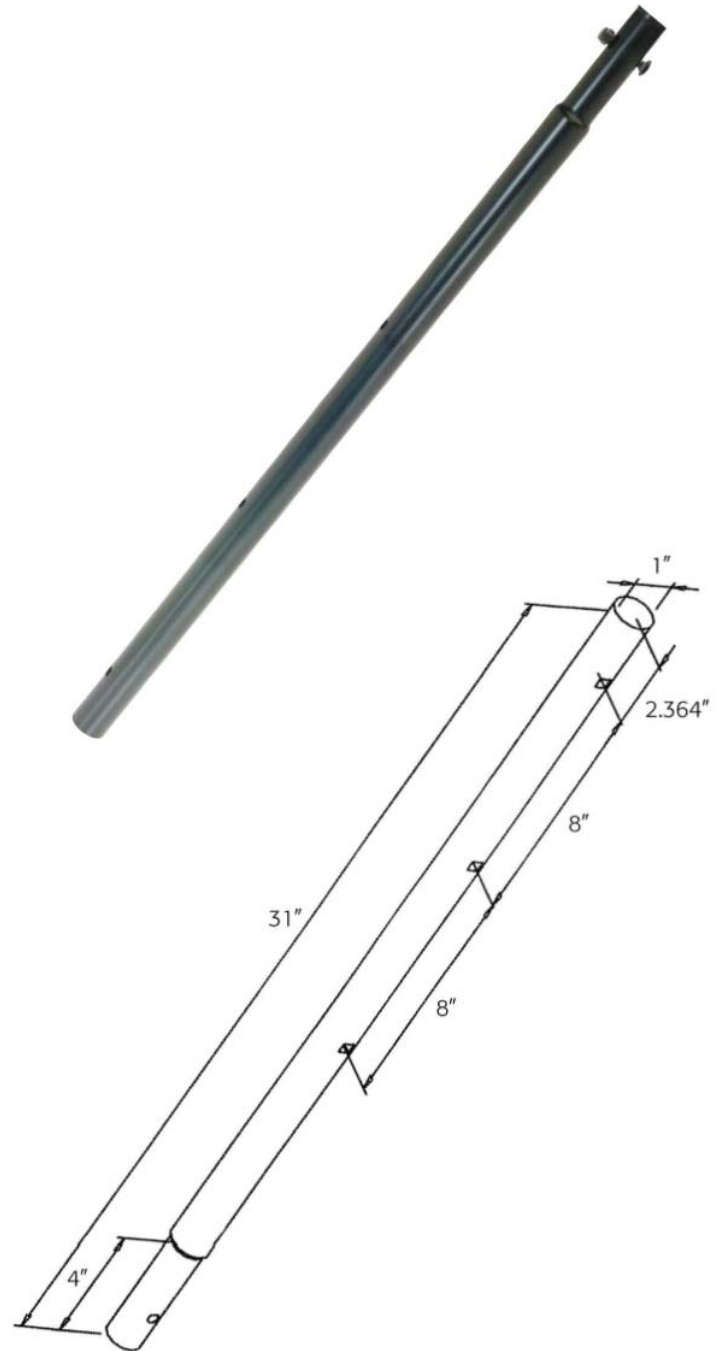
Black powder coat finish

Product Specifications:

(for Architects & Engineers)

The extension pipe to extend the drop length of the LCD-1C shall be the Video Mount Products (VMP) EXT-B.

The extension pipe shall be 31" in length and shall be tempered steel. The extension pipe shall have pre-drilled holes every 8" and shall integrate with the mast provided in the afore mentioned mount. The mast shall add up to 28" of additional adjustable mast length.



Video Mount Products

345 Log Canoe Circle

Stevensville, MD 21666

Toll Free: 877.281.2169

Telephone: 410.643.6390

Facsimile: 410.643.6615

www.videomount.com

VMP
VIDEO MOUNT PRODUCTS