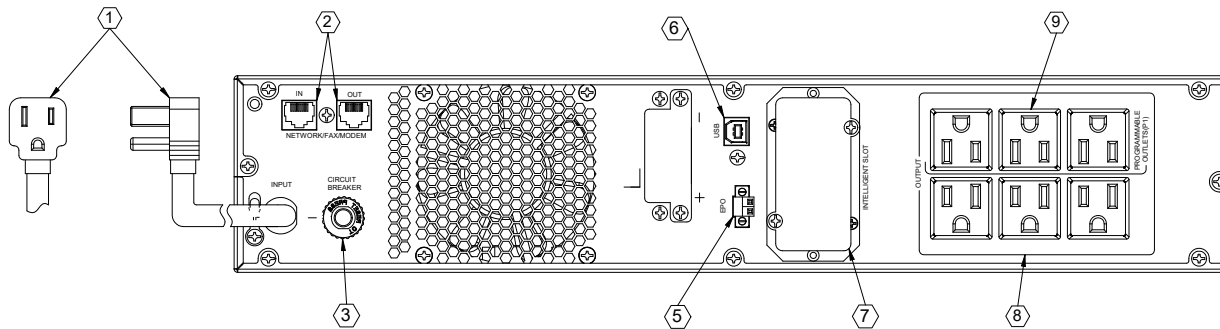
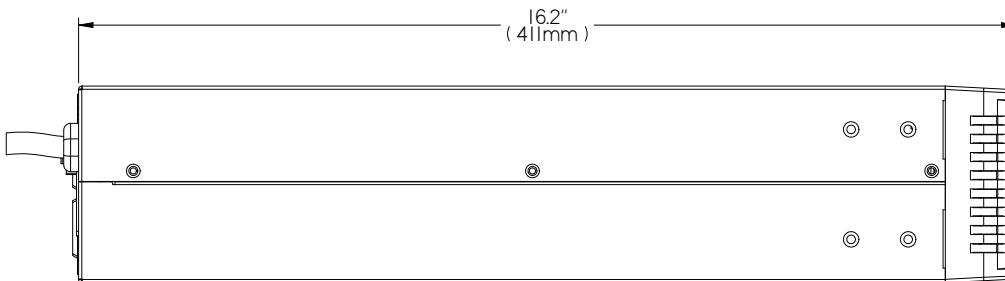


FRONT VIEW



REAR VIEW



SIDE VIEW

- ① INPUT POWER CORD: NEMA 5-15P WITH 10 FOOT ATTACHED CORD
- ② RJ-45 DATA LINE CONNECTORS
- ③ 8A INPUT CIRCUIT BREAKER
- ④ NOT USED
- ⑤ EPO CONNECTOR
- ⑥ USB PORT
- ⑦ INTELLISLOT PORT. NETWORK COMMUNICATIONS CARD OPTIONAL
- ⑧ OUTPUT RECEPTACLES: 3 NEMA 5-15R ALWAYS ON
- ⑨ OUTPUT RECEPTACLES: 3 NEMA 5-15R PROGRAMMABLE GROUP
- ⑩ ON/MUTE BUTTON
- ⑪ SELECT BUTTON
- ⑫ OFF/ENTER BUTTON

NOTES:

1. UNIT DIMENSIONS: 17.2" x 3.4" x 16.2" (438mm) x (86mm) x (411mm)
2. UNIT WEIGHT: 28.3LBS (12.9KG)
3. SHIPPING DIMENSIONS: 22.9" x 10.2" x 22.4" (582mm) x (258mm) x (570mm)
4. SHIPPING WEIGHT: 42.1LBS (19.1KG)
5. MINIMUM AIRFLOW CLEARANCE IS 4.0" (100.0mm) - FRONT/REAR
6. FIXED RAIL KIT: INCLUDED.
7. ALL SITE WIRING IS TO BE IN COMPLIANCE WITH NATIONAL AND LOCAL ELECTRIC CODES
8. UNIT INPUT: 100~125 VAC, 60/50HZ, 12A
9. UNIT OUTPUT: 100/110/115/120/125VAC, 60/50HZ, 1500VA/1350W, 12A, @125VAC INPUT OR 1440VA/1350W, 12A, @120VAC INPUT OR 1380VA/1350W, 12A, @115VAC INPUT OR 1275VA/1147W, 11.6A, @110VAC INPUT OR 1200VA/1147W, 12A, @100VAC INPUT

DRAWN BY B. LAY	SHEET NO. 1 OF 1
CHK BY L. JOHNSON	ECN NO.
REF. DWG.	ORDER NO.

PS15 1500RT120LI

DWG. NO. PS15 1500RT120LI	DATE 12/12/19	REV. # 0	1050 DEARBORN DRIVE P.O. BOX 29186 COLUMBUS, OHIO 43229
------------------------------	------------------	-------------	---

