

1 |

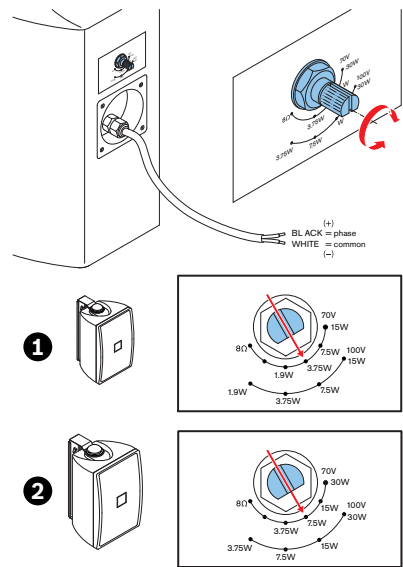


Fig. 1: (1) LB2-UC15-x | (2) LB2-UC30-x

2 |

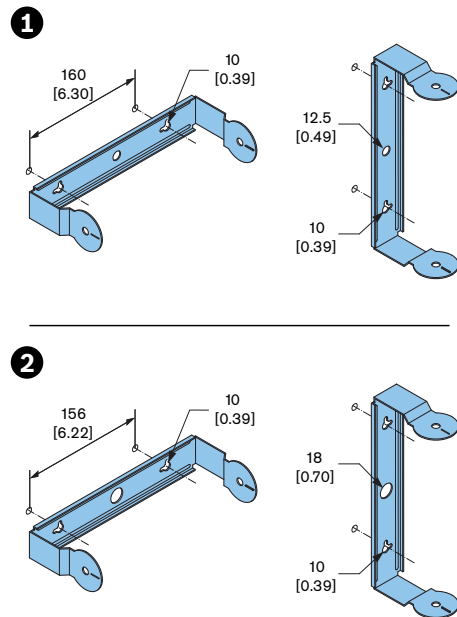


Fig. 2: Dimensions: (1) LB2-UC15-x | (2) LB2-UC30-x

3 |

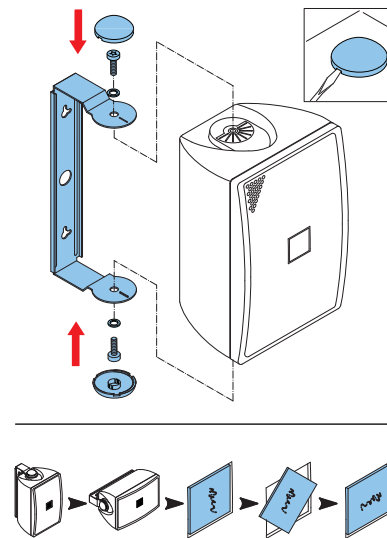


Fig. 3:

4 |

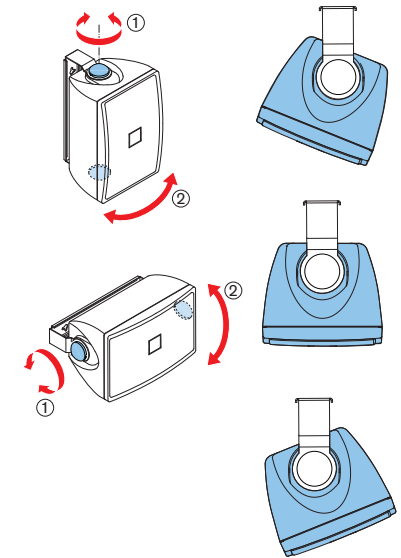


Fig. 4:

5 |

**Electrical\***

Product	LB2-UC15-D LB2-UC15-L	LB2-UC30-D LB2-UC30-L
Description	Premium-sound Cabinet Loud-speaker	Premium-sound Cabinet Loud-speaker
Maximum power	22.5 W	45 W
Rated power (PHC)	15 W	30 W
Power tapping	15/7.5/3.75/1.9 W	30/15/7.5/3.75 W
Sound pressure level at rated power / 1 W (1 kHz, 1 m)	99/87 dB (SPL)	105/90 dB (SPL)
Effective frequency range (-10 dB)	95 Hz to 20 kHz	100 Hz to 19 kHz

6 |

Opening angle at 1 kHz / 4 kHz (-6 dB)	184° / 112° (hor.) 170° / 35° (ver.)	166° / 83° (hor.) 140° / 76° (ver.)
Rated input voltage	11/70/100 V	15.5/70/100 V
Rated impedance	8/326/667 ohm	8/163/333 ohm
Transducers	101.6 mm (4") woofer, 13 mm (0.51") dome tweeter	127 mm (5") woofer, 13 mm (0.51") dome tweeter
Connection	2 m (78.8 in.) two-wire cable	2 m (78.8 in.) two-wire cable

\* Technical performance data acc. to IEC 60268-5

**Mechanical**

Dimensions (Hx-WxD)	205x136x117 mm (8.07x5.35x4.60 in)	245x 160x131 mm (9.6x6.30x5.1 in)
---------------------	---------------------------------------	--------------------------------------

7 |

Weight	Approx. 1.9 kg (4.18 lb)	Approx. 2.4 kg (5.29 lb)
Color	White (RAL 9010) (L) or Charcoal (RAL 7021) (D)	White (RAL 9010) (L) or Charcoal (RAL 7021) (D)

**Environmental**

Operating temperature	-25 °C to +55 °C (-13 °F to +131 °F)
Storage and transport temperature	-40 °C to +70 °C (-40 °F to +158 °F)
Relative humidity	<95%

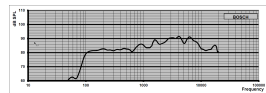
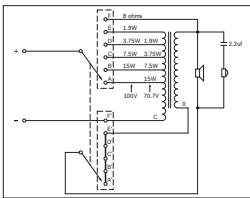
**Certification and Approvals**

Safety	acc. to EN 60065
Water and dust protection	acc. to EN 60529 Water Protection

8 |

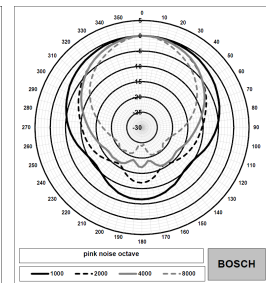
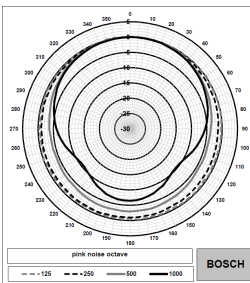
Self extinguishing	acc. to UL94 V 0
Chlorine resistant	acc. to IEC60068-2-42
Corrosion resistant	acc. to IEC60068-2-52
Salt mist	acc. to IEC60068-2-11

LB2-UC15-Dx | LB2-UC15-Lx

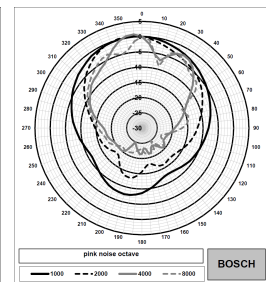
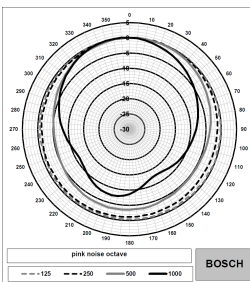


Circuit diagram

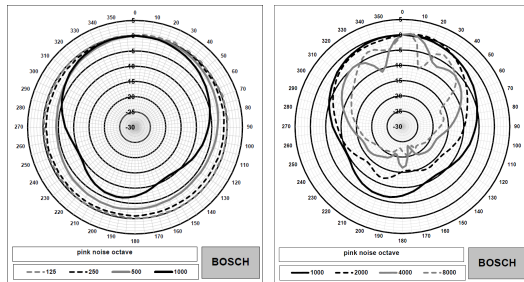
Frequency response



Polar diagram horizontal (measured w/ pink noise)

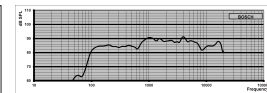
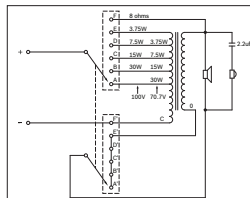


Polar diagram vertical (measured w/ pink noise)



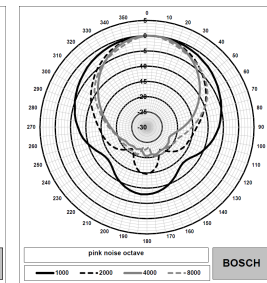
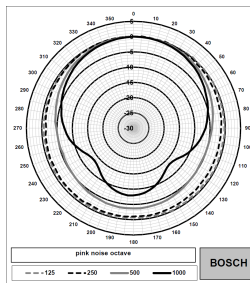
Polar diagram vertical (measured w/ pink noise)

LB2-UC30-Dx | LB2-UC30-Lx



Circuit diagram

Frequency response



Polar diagram horizontal (measured w/ pink noise)



Polar diagram vertical (measured w/ pink noise)



Polar diagram vertical (measured w/ pink noise)

LB2-UC Cabinet loudspeakers

LB2-UC15-D1 | LB2-UC15-L1 |  
LB2-UC30-D1 | LB2-UC30-L1



en Quick Installation Guide