

TI-NFD08A28

4MP IR Dome Network Camera



Key Features

- ✓ 1/2.8" progressive scan CMOS
- ✓ Max. 8MP(3840x2160) @30fps resolution
- ✓ 2.8mm fixed lens
- ✓ WDR, 3D DNR, ROI, HLC, BLC, IVS
- ✓ Support face, human, vehicle detection and capture
- ✓ Built-in micro SD slot, IK10, IP67, PoE

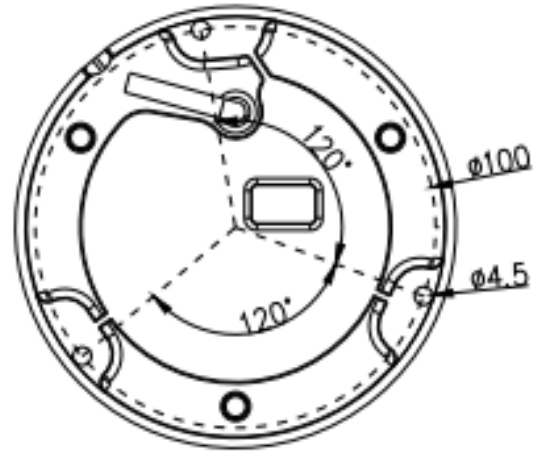
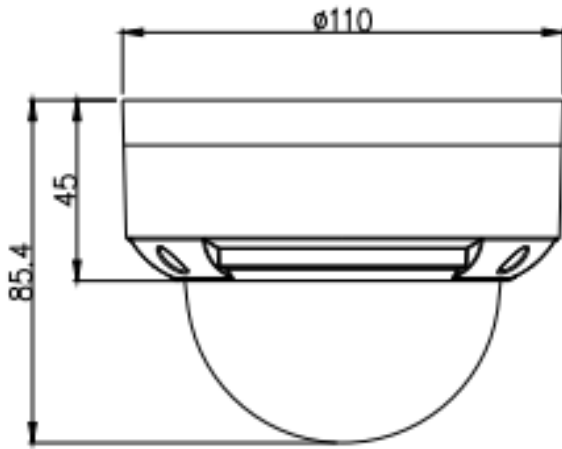


SPECIFICATIONS

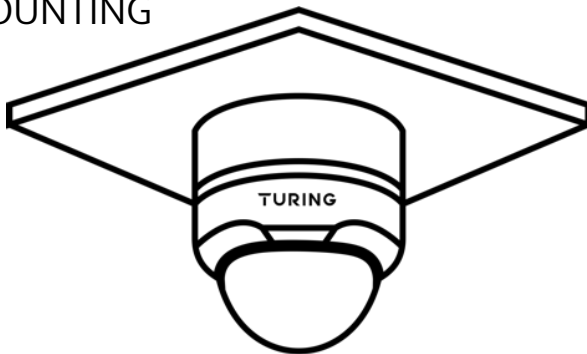
CAMERA		INTERFACES	
IMAGE SENSOR	1/2.8", 8.0 megapixel, progressive scan, CMOS	NETWORK INTERFACE	1 Ethernet (10/100 Base-T) RJ-45 Connector
LENS	2.8mm@F2.0	NETWORK PROTOCOLS	IPv4/IPv6, 802.1x, HTTP, HTTPS, TCP/IP, UDP/IP, RTSP, DHCP, NTP, RTP/RTCP, PPPoE, SMTP, DNS, UPnP, FTP, ARP, SNMP, TLS/SSL
ANGLE OF VIEW (H)	97.4°	3RD-PARTY COMPATIBILITY	ONVIF, SDK, CGI
ADJUSTMENT ANGLE	Pan:0° ~ 350°, Tilt:0° ~ 75°, Rotate:±90°	SUPPORTED BROWSER	<IE11, Chrome, Firefox, Microsoft Edge
ELECTRONIC SHUTTER	Auto/Manual, 1/5 ~ 1/20000s	CERTIFICATIONS	
MINIMUM ILLUMINATION	Color: 0.003Lux (F1.2, AGC ON), 0Lux with IR	CERTIFICATIONS	CE/FCC
DAY/NIGHT	IR-cut filter with auto switch (ICR)	GENERAL	
S/N RATIO	55dB	POWER REQUIREMENT	DC 12V, PoE (IEEE 802.3af)
IR RANGE	Up to 30m (98.4ft) IR range	POWER CONSUMPTION	Max 5.5 W
WIDE DYNAMIC RANGE	120 dB	DIMENSIONS	φ110 × 85.4mm (φ4.33" × 3.36")
VIDEO & AUDIO		NET WEIGHT	0.47 kg (1.04 lb)
RESOLUTION & FRAME RATE	Stream1: 3840×2160, 2592×1944, 2592×1520, 2560×1440, 2048×1536, 1920×1080, 1280×720 @ 25/30fps Stream2: D1, VGA, 640×360, CIF, QVGA @ 25/30fps Stream3: VGA, CIF, QVGA @ 25/30fps	MATERIAL	Metal
WHITE BALANCE	Auto	WORKING ENVIRONMENT	-40°C ~ 55°C (-40°F ~ 131°F), Humidity: <90% RH
NOISE REDUCTION	2D/3D DNR	WATER PROTECTION	IP67
AUDIO COMPRESSION	G.711, RAW_PCM	VANDAL RESISTANCE	IK10
AUDIO SAMPLING RATE	8kbps, 16kbps, 64kbps	COMPATIBLE NVRS	
VIDEO INTELLIGENCE	Line crossing detection, Intrusion detection, enter area detection, exit area detection, and face capture	Turing Advantage NVR series, including TN-NRP042T, TN-NRP082T, TN-NRP084T and TN-NRP164T	



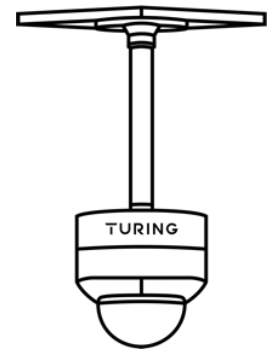
DIMENSIONS (mm)



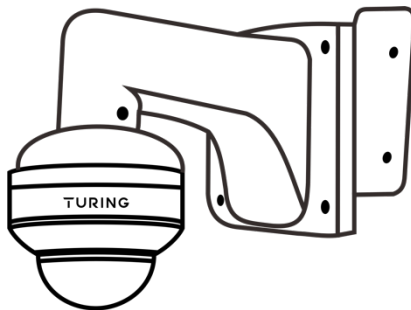
MOUNTING



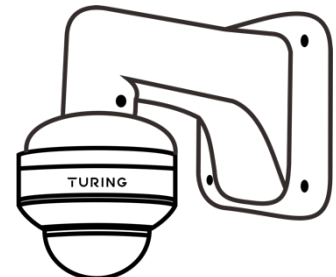
Junction Box: TI-FDJB



Pole Mount: TI-ADPM
Pendant Cap: TI-FDPC



Wall Mount: TI-ADWM
Pendant Cap: TI-FDPC
Corner Mount: TI-ADCM



Wall Mount: TI-ADWM
Pendant Cap: TI-FDPC

